

# EMX 13.0.3.16

What's New?



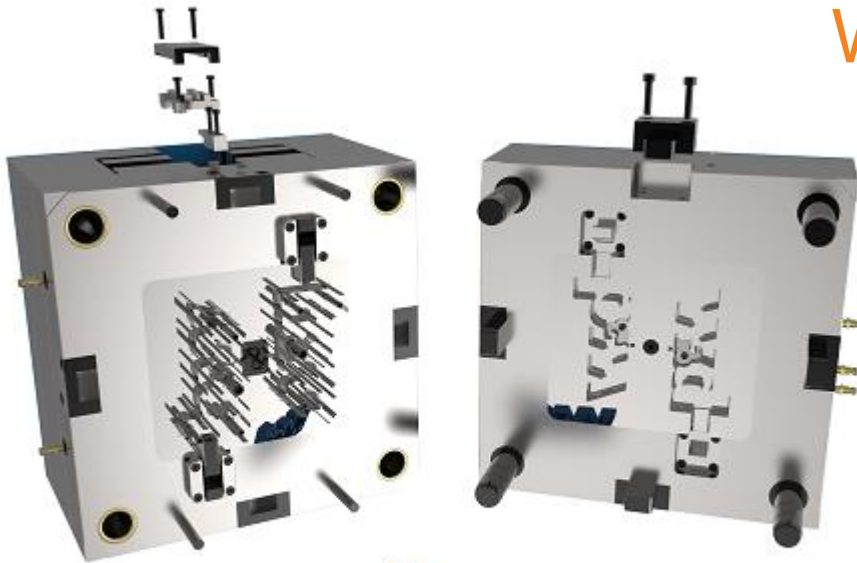
# Improvements

---

- Improved Component Editor
  - Easily create part name rules for assemblies within dat files
  - Improved definition of instance dimensions with right mouse menu
  - etc.
- New config option EXCEL\_TEMPALTE\_PATH to set up default location for Bill of Material Excel template file

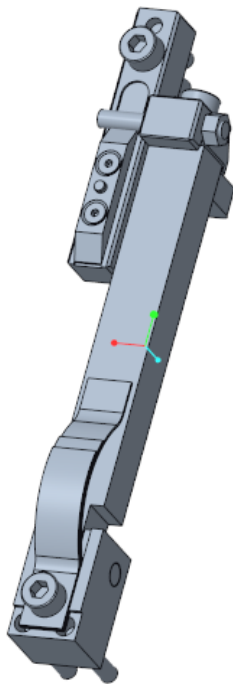
# EMX 13.0.3.11

What's New?

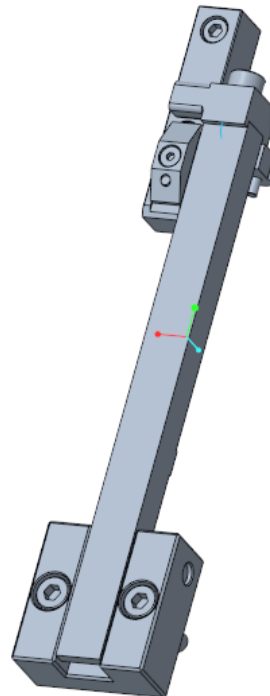


# Enhancements

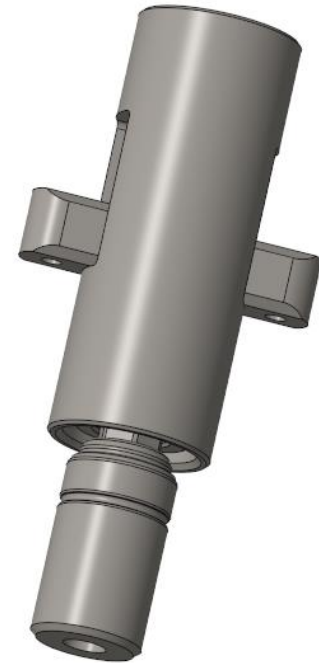
New STRACK Latch Lock Z3 and Z5 implemented:



Z5 – 0/1/2



Z5 – 31/32

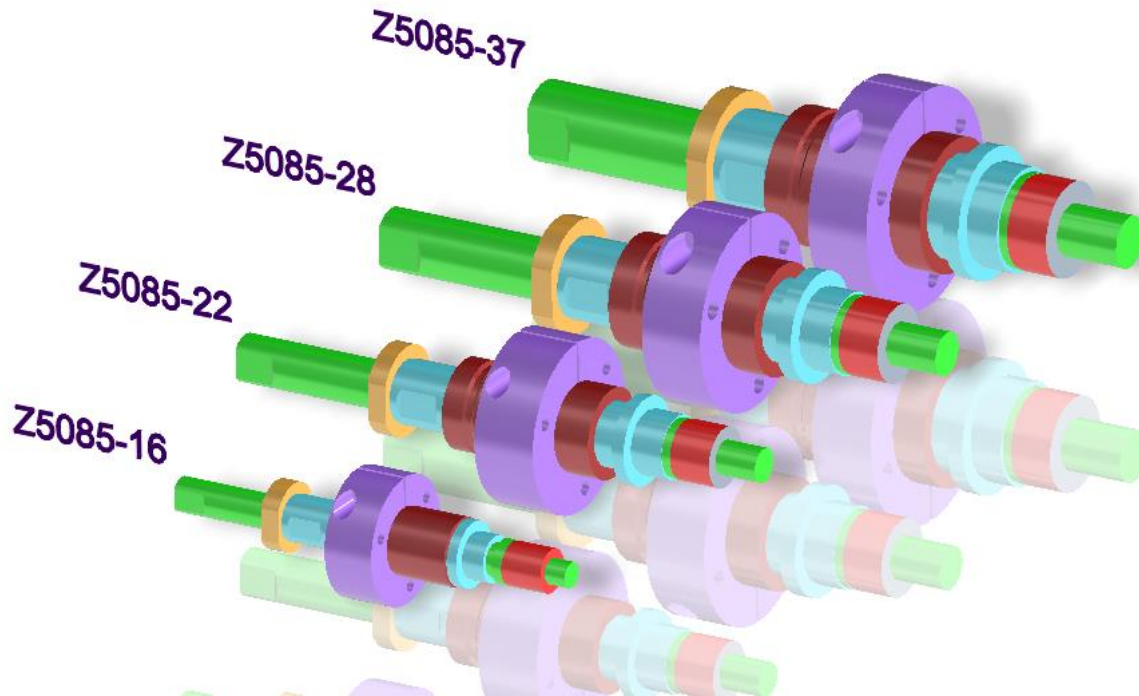


- Z3 – 1 / 2 / 3
- Z3 – 11 / 21 / 31

# Enhancements

---

New STRACK Two Stage Ejector Z5085 implemented:



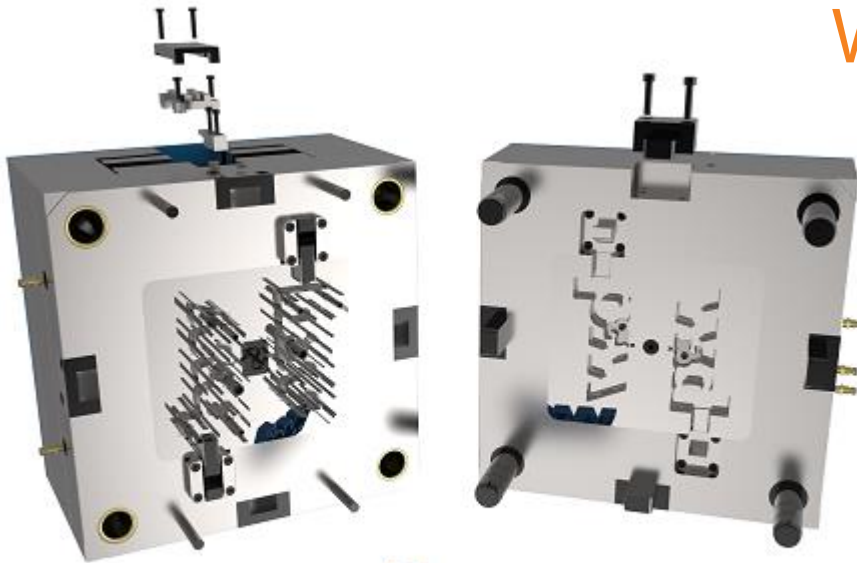
# Enhancements

---

- Update KNARR plates F and K, ejector pins, screws, dowel pins, guides, insulation plates, knockouts, locating rings, stop discs to 2022 catalog status
- Allow <project\_name>, <pre>, <post> placeholders in BOM\_FILENAME option.

# EMX 13.0.3.10

What's New?



# Enhancements

---

## New components:

- New MEUSBURGER cooling components E20767, E20769 and E20809
- New STRACK pneumatic components Z139 Z5144, Z5145 and Z5146
- New STRACK slider holding device Z5129, Z5130, Z5131
- New STRACK stroke cylinders Z5100, Z5101, Z5102
- New STRACK thrust pieces Z3152, Z3154, Z3153, Z3156 and Z3158
- New knockout STRACK Z5085



# EMX 13.0.3.6

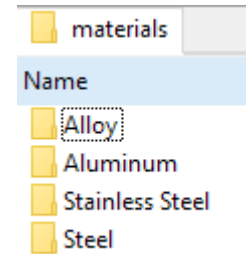
What's New?



# Enhancements

## Improved MATERIAL\_PATH behavior

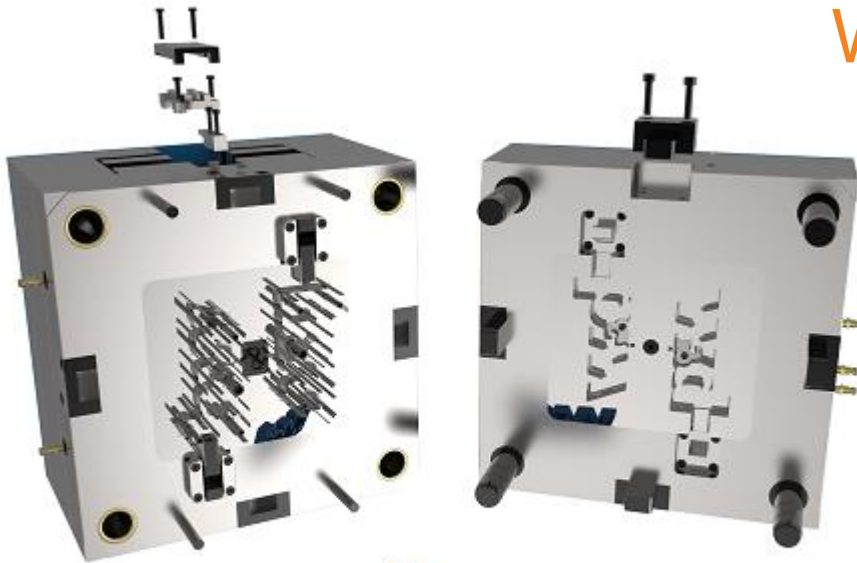
- Materials can be structured in subfolders



- Config Option MATFILE\_EXTENSION is no longer active.
- \*.mtl files are handled with higher priority than \*.mat files
- Search priority is now:
  - Files from Material Path
    - \*.mtl
    - \*.mat
  - Files from USER\_CONFIG\_PATH
    - \*.mtl
    - \*.mat
  - Files from INSTALLATION
    - \*.mtl
    - \*.mat

# EMX 13.0.3.5

What's New?



# Enhancements

---

- New XML based recipe files

Deprecated text-based files still work

- New MEUSBURGER ejector pins

E1770 (with air ventilation), E1780, E17109

- New PEDROTTI guides

EBU2, EBU2B, EZP1H, EBU3B, EZP1

- New PEDROTTI ejector pins

EES2CB, EES2DLC, EES2NL, EES2CL\_2RAD, EES2CL\_4RAD

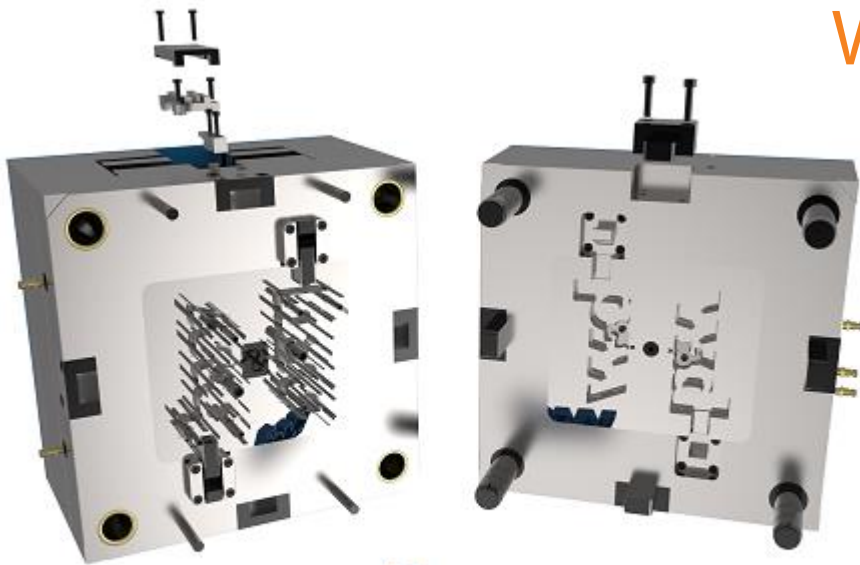
- Option “Force cutout in surface owner” removed for guides, ejectors and screw

Not required anymore due to improved cut out algorithm

A decorative curved line in the bottom right corner, consisting of a grey outer curve and an orange inner curve.

# EMX 13.0.3.4

What's New?



# Enhancements

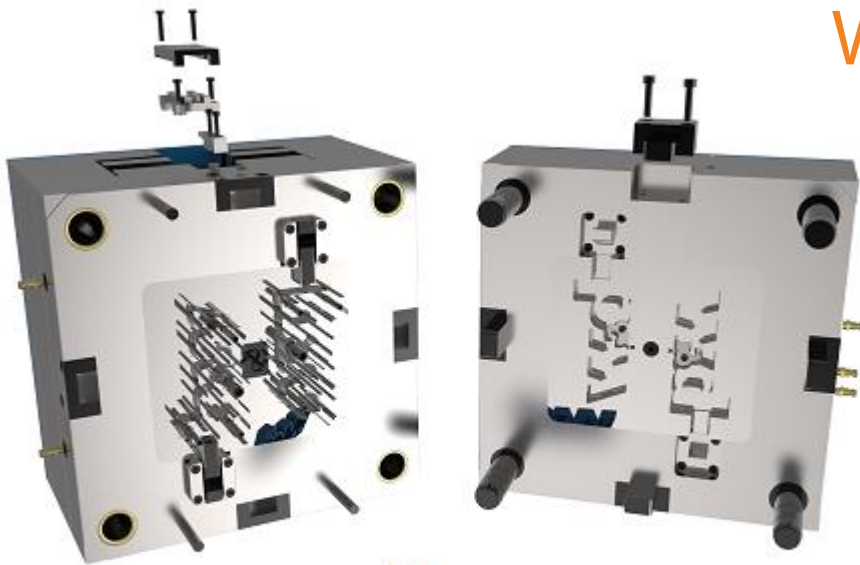
---

- New weblink button in Library Component Dialog
- New and updated PEDROTTI guide components

EBU1, EBU1B, EBU1BG, EBU1H, EBU1HBG, EBU1S, EBU1SBG, EBU1SH, EBU3, EBU3B, ECO1, ECO1H, ECO1S, ECO1SH, ECO2, ECO2E, ECO2L, ECO2LC, ECO2SG

# EMX 13.0.3.1

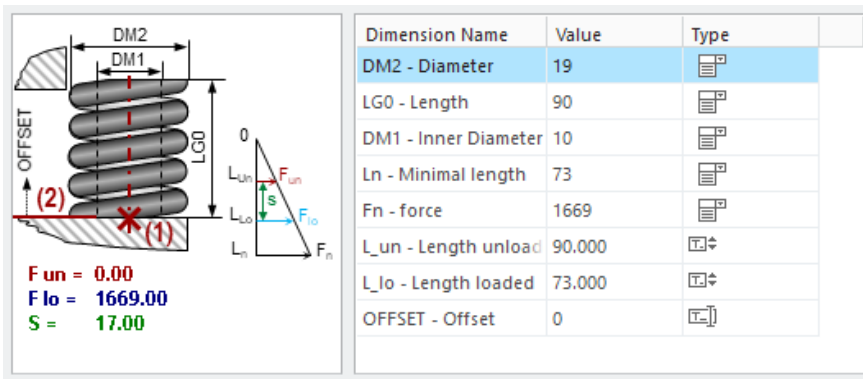
What's New?



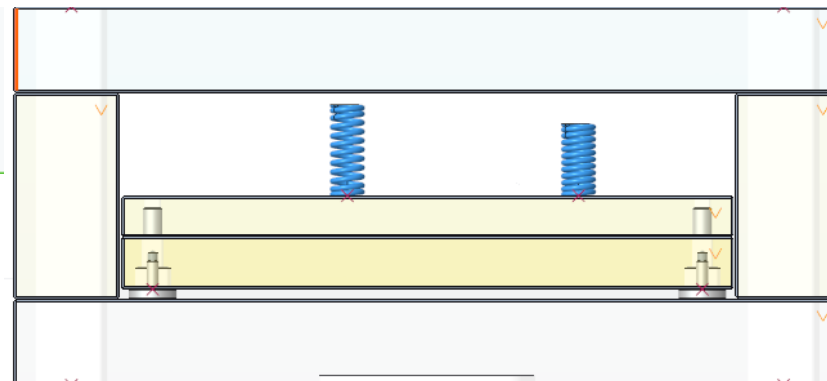
# Enhancements

## New Flexible Springs:

- Springs can now be assembled as flexible models.
- Implemented for Hasco, Meusburger and Strack springs.
- The same model can be assembled multiple times, but with different lengths



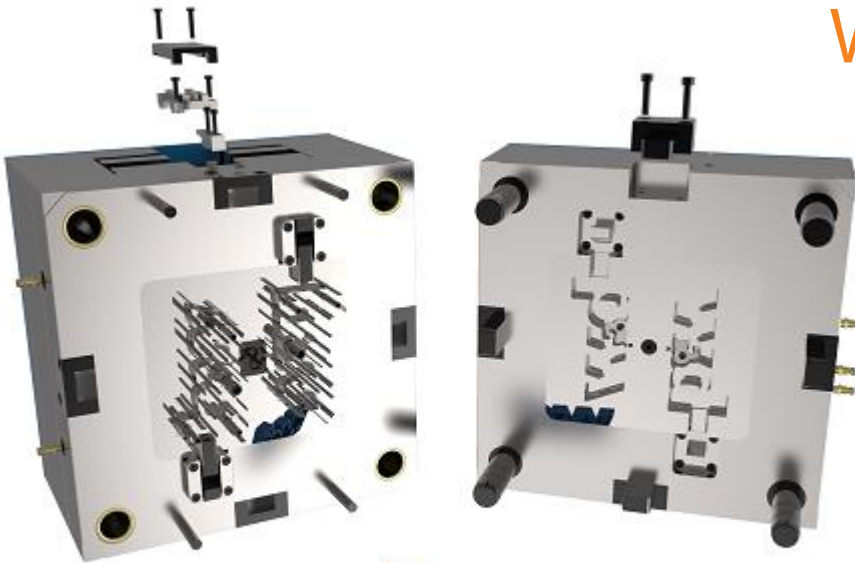
- ▶ Group EMX\_REF\_POINT\_PLANE
- ▶ 123\_SPRING\_20.PRT
- ▶ Group EMX\_REF\_POINT\_PLANE\_1
- ▶ 123\_SPRING\_20.PRT





# EMX 13.0.3.0

What's New?



# Improvements

---

## New Config Option:

LIBRARY\_DISABLE\_MANUAL\_PLACEMENT\_WITH\_INCOMPLETE\_REFERENCES:

Default value: NO

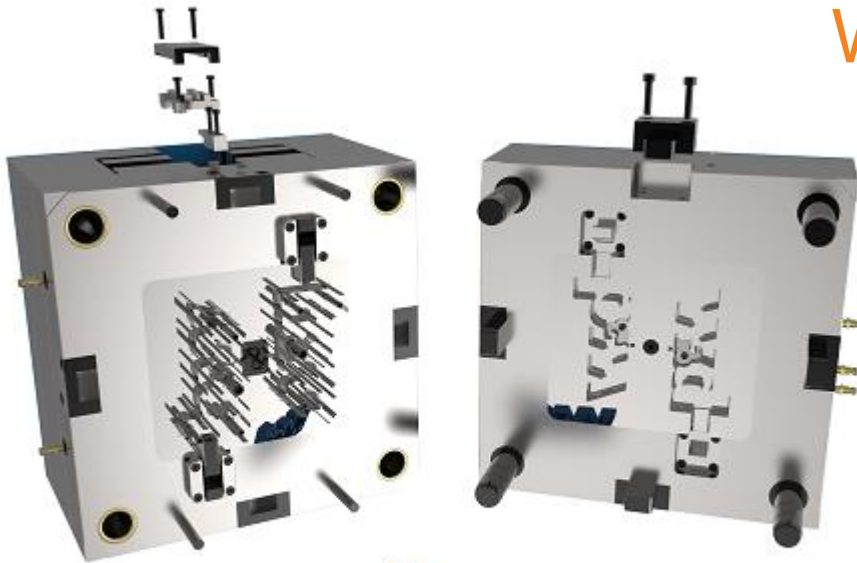
Disable manual placement by component interface assembly for library components in case of incomplete assembly references.

This option can help to avoid incompletely placed components in mold base assemblies

A decorative graphic element consisting of a thick grey curved line and a thin orange curved line at the bottom right of the slide.

# EMX 13.0.2.4

What's New?




# Enhancements

---

## New and updated DME EUROPE components available:

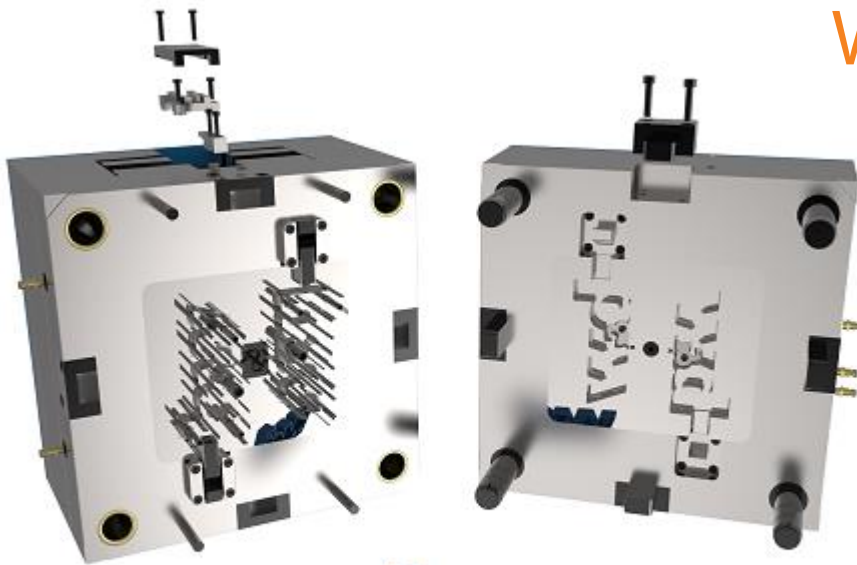
- **Locating Rings:** F1360, F1367, RB, DHR21, R19, R20, R22, R23, R40, R60, R60L, RB60 and RB90
- **Guide components:** R01, R02, R03, R03W, R04, R04W, R05, R08, R09, APD, IPWC, IPNH, FBC, FBN, FSC, FSN, FB120, FB140, FW14, GB112, GB113, GB114, GEB, TD, ZH, F1000, F1010, F1020, F1030, F1040, F1100, F1110, F1120, F1121, F1125, F1126, F1127, F1140, F1144, F1145, 1150, F1332 and FW1213
- **Support Pillars:** SP, FW28, FW29
- **Ejector Pins:** CHE28, EAH28, ENA05, ENC05, EOA05, EPA05, EPC05, EPD28, ERA05, ERFAQ, EDC, EDH, PCM, FW, FK, S, KS, EAV, F2R and F4R
- **Knockout:** F1050 and 1515

## New and updated MEUSBURGER components available:

- **Knockout:** E1514 and E1515
  - **Guiding package:** E1325 and E1330
- 
- A decorative graphic element consisting of a thick grey curved line and a thinner orange curved line, both curving upwards from the bottom right corner of the slide.

# EMX 13.0.0.4

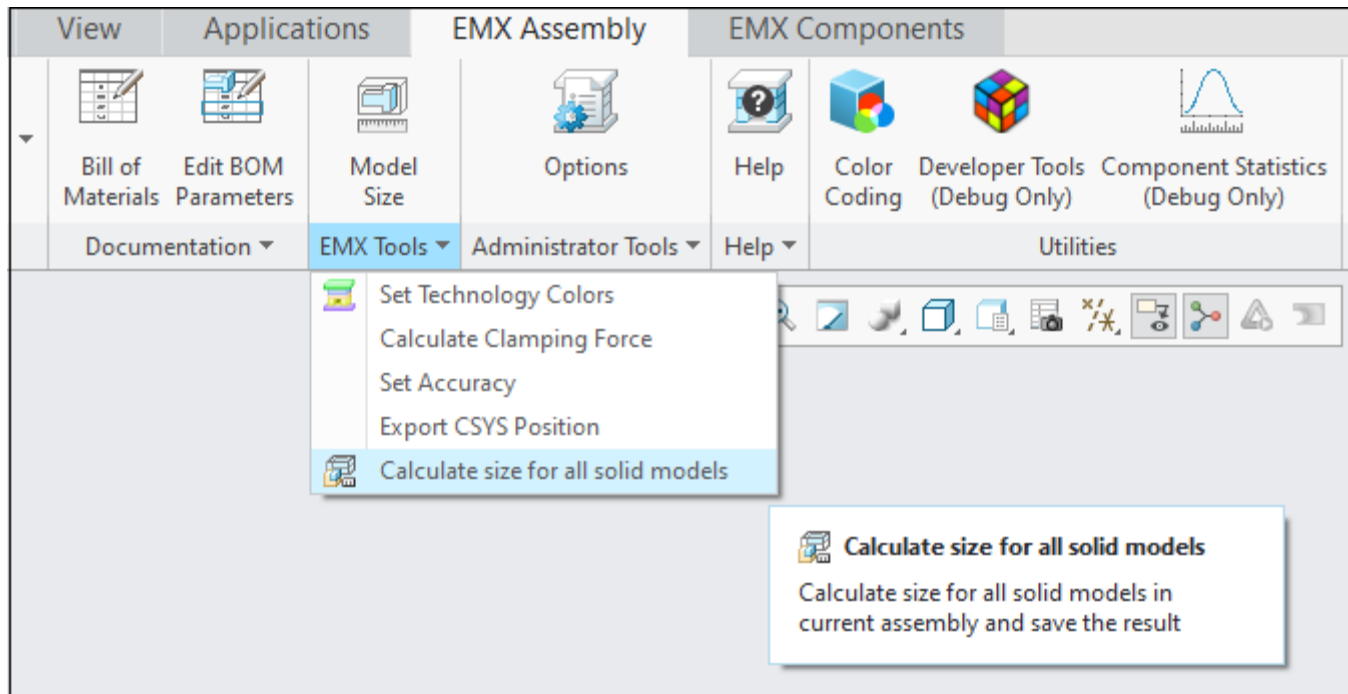
What's New?



# Enhancements

Introduce command to calculate size parameter of all models in assembly:

Calculate size for all solid models without opening the Bill of Materials








# Enhancements

When recalculating size parameter in BOM, all changed values are highlighted:

Bill of Materials

0 Hits/ 41 Models

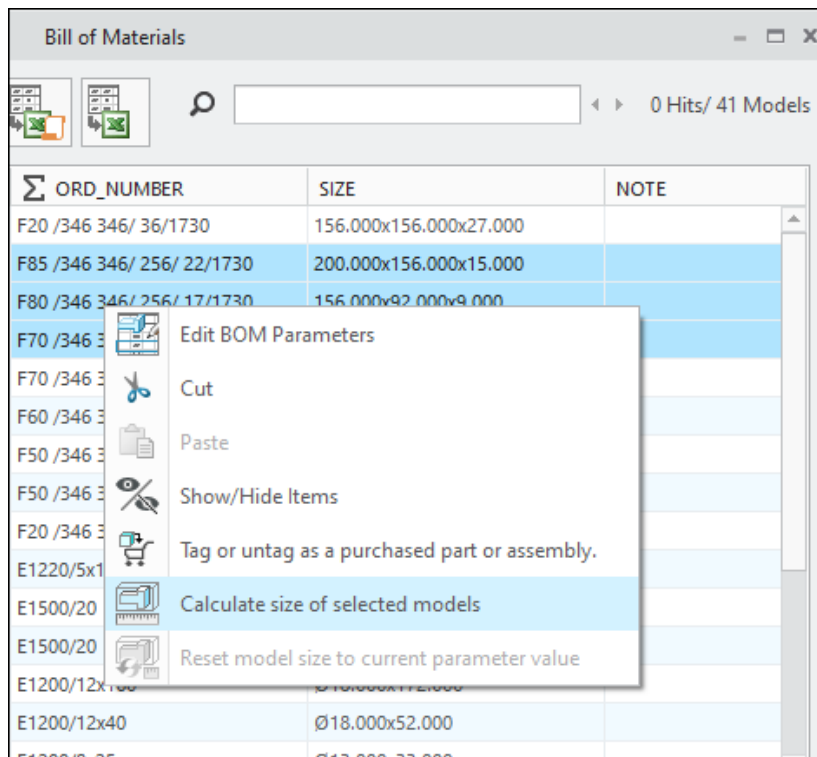
MEMBER	SIZE	NOTE	LIST_EXAMI
36/1730	446.000x346.000x36.000		AB-123
256/ 22/1730	346.000x256.000x22.000		AB-123
256/ 17/1730	346.000x256.000x17.000		AB-123
44/86/1730	346.000x86.000x44.000		AB-123
44/86/1730	346.000x86.000x44.000		AB-123
36/1730	346.000x346.000x36.000		AB-123
56/1730	346.000x346.000x56.000		AB-123
76/1730	346.000x346.000x76.000		AB-123
36/1730	446.000x346.000x36.000		AB-123
	Ø10.000x16.000		AB-123
	0x0x0		AB-123
	Ø20.000x4.000		AB-123
	Ø18.000x172.000		AB-123
	Ø18.000x52.000		AB-123
	Ø13.000x33.000		AB-123

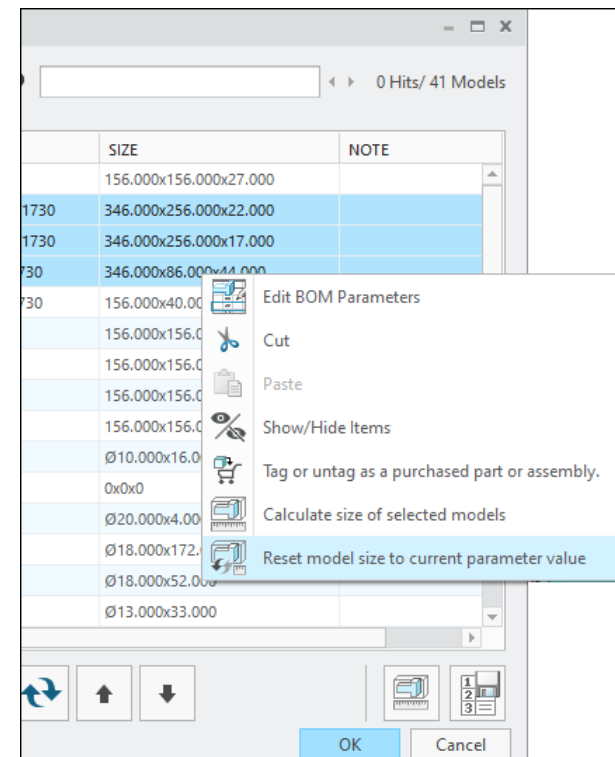
OK Cancel

# Enhancements

Recalculate size parameters of selected models only from Right Mouse Menu:



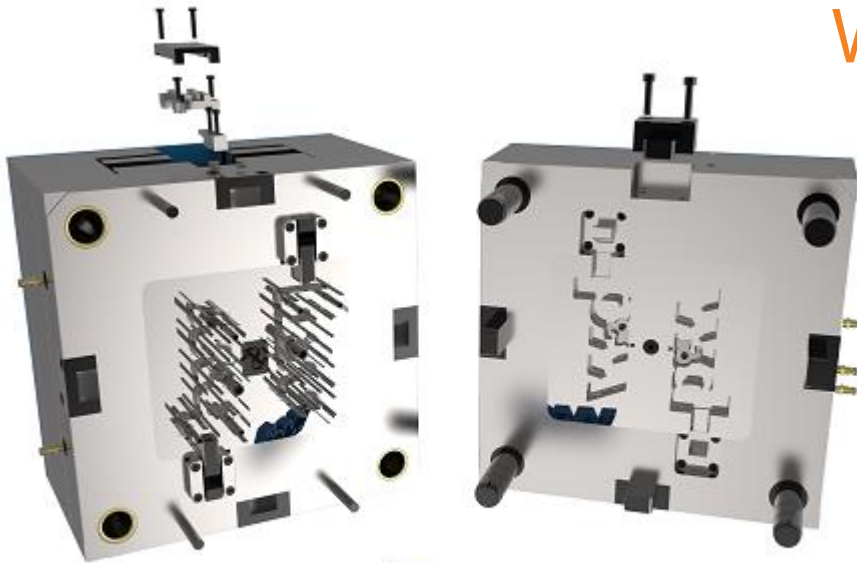
Reset the model size to the current parameter value for selected components from the Right Mouse Menu:





# EMX 13.0.0.2

What's New?



# Enhancements

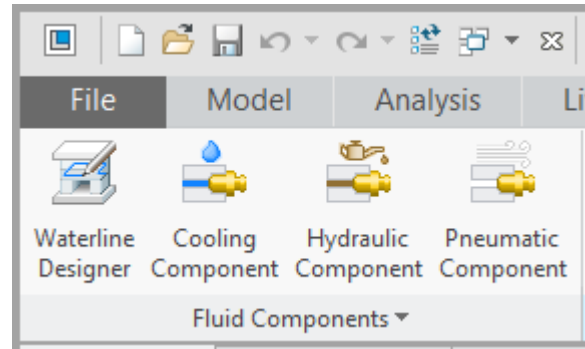
## New Commands for Hydraulic and Pneumatic components:

New Hydraulic components:

- Meusburger E1700, E7140

New Pneumatic components

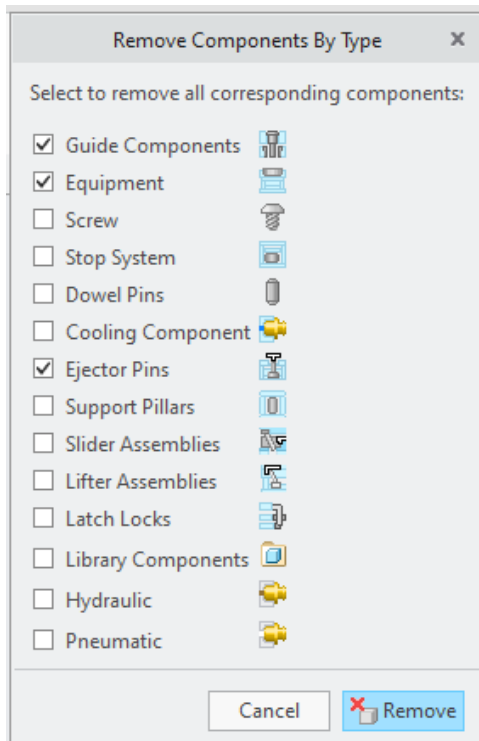
- Festo GS-G-I, QS-R-I



# Enhancements

New Dialog to delete all components of a selected type:

Current function to delete all cooling components or all ejector pins is extended for all different components types.



# Enhancements

New Option in Component Dialog to automatically create chamfers on edges in cutout UDFs for all kind of components:

Dimension Name	Value	Type
DM1 - Diameter	10	
LG1 - Length	120	
OFFSET - Offset	-12.000	
REF1 - Reference Di...	112.000	

Part Name: 555\_E1200\_10\_120  Alternate part name

DATUM POINT:F175(APNT20) PROTRUSION:F10(PLATE):555 PROTRUSION:F10(PLATE):5

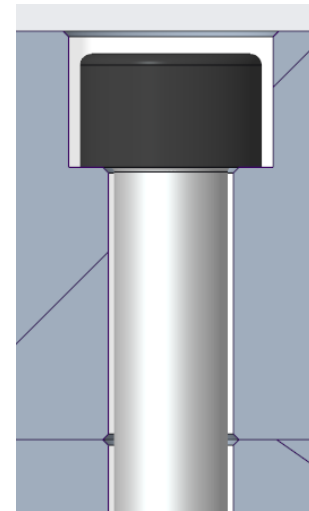
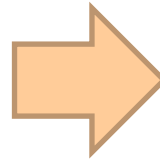
Component options: Options BOM Data Parameter Relation

Counterbore

Blind Hole

One Plate

Add additional chamfers to edges



A rule set for chamfer sizes can be defined in EMX options.

Options		Parameter		Project Parameter		Part Names		Technology		Cooling Bore Data	
Ejector Bore Data				Screw Hole Data		Export to Excel		Order Number Rules		Chamfer Size	
UDF ...	Cate...	Supp...	...	Lower Bound...	Upper Bound...	Chamfer Size					
*	*	*	mm	0	1.5	0.2					
*	*	*	mm	1.5	3	0.3					
*	*	*	mm	3	22	0.5					
*	*	*	mm	22	100	1					

# Enhancements

---

New Command to transfer surface parameters from reference part to mold volumes:

- Manufacturing information can be transferred from the reference part to further derived models in the cavity.
- Supports model-based definition approach.

# Enhancements and Improvements

---

## New Option SOLID\_TOLERANCE\_STANDARD:

- Set solid tolerance standard independent from unit.

IGES, STEP, DXF export in BOM works with active Windchill workspace

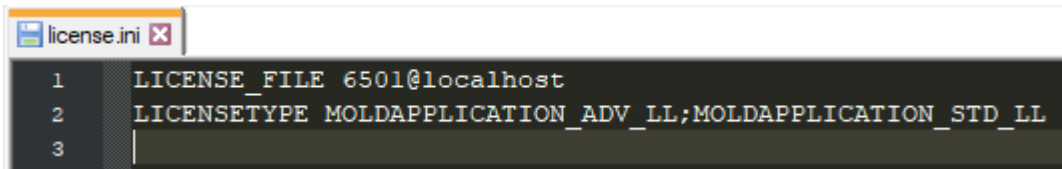
## New MEUSBURGER guide components

- E5140, E5152 and E5202

Option BOM\_BALLOON\_CUSTOM\_PARAM works now with component parameters

## License.ini supports multiple license types on same license server

- In case multiple license types are defined a license can be selected from a dialog box.

A screenshot of a text editor window titled 'license.ini'. The window contains three lines of text: '1 LICENSE\_FILE 6501@localhost', '2 LICENSETYPE MOLDAPPLICATION\_ADV\_LL;MOLDAPPLICATION\_STD\_LL', and '3'.

```
license.ini x
1 LICENSE_FILE 6501@localhost
2 LICENSETYPE MOLDAPPLICATION_ADV_LL;MOLDAPPLICATION_STD_LL
3
```

# EMX 13.0.0.0

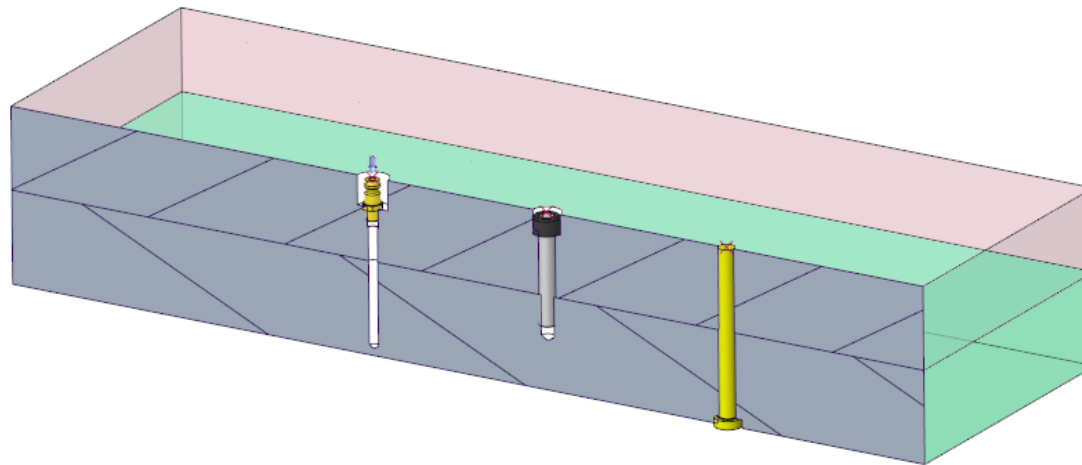
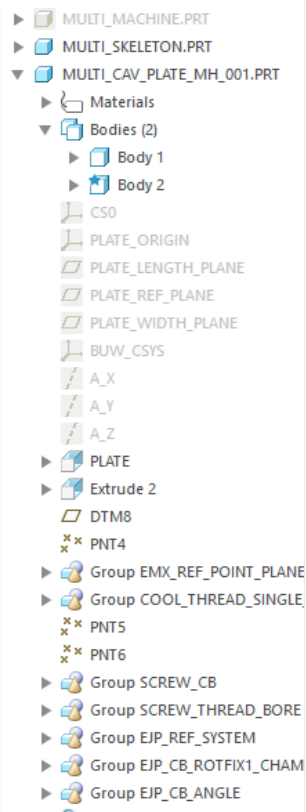
What's New?



# Enhancements

## EMX is ready for Multi Body with Creo7!

- All Cut out UDFs are updated to work with multi body parts.
- Cut out mechanism detects multi bodies.





# Enhancements

---

“Trimmed “ and “Shortened length” can be added to Ejector Pin notes parameter:

- Create an ejector pin pre or post note string using the EMX options EJP\_NOTE\_PRE\_STRING or EJP\_NOTE\_POST\_STRING
- In case the configuration option contains the placeholder <geometry\_option> it will be replaced with „trimmed“ or „shorted\_length“

# Enhancements

---

## New configuration file `customer_number.cfg` introduced:

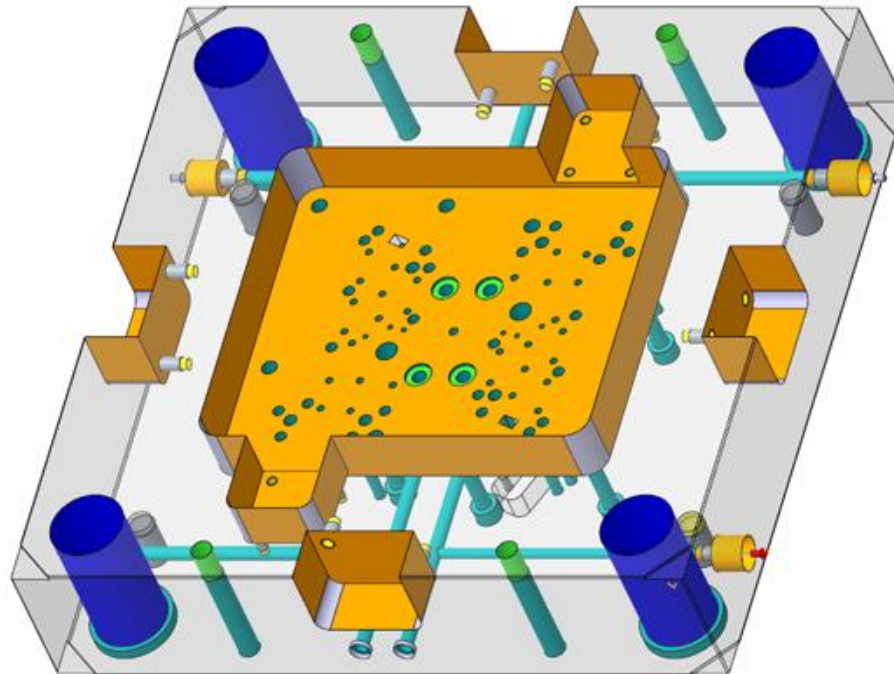
- This config file can be used to overwrite the content of the `USER_NUMBER` parameter based on supplier, category, type and instance of a component.
- This allows the configuration of customer number values without modifying the component `*dat` files at all.

# Enhancements

## EMX is now SMARTColor ready!

- Apply color coding rules with B&W SMARTColor application
- More information on our website: [SMARTColor in EMX](#)

R 192 G 192 B 192		$\sqrt{Ra\ 0.8-6.3}$
R 0 G 175 B 175	$\pm 0,10$	$\sqrt{Ra\ 6.3}$
R 255 G 175 B 0	$\pm 0,10$	
R 255 G 255 B 0	$\pm 0,10$	
R 0 G 0 B 255	H7 $\pm 0,01$	$\sqrt{Ra\ 1.6-3.2}$
R 183 G 183 B 220	$\pm 0,10$	$\sqrt{Ra\ 6.3}$
R 64 G 255 B 64	$\pm 0,05$	$\sqrt{Ra\ 3.2}$
R 255 G 128 B 0	$\pm 0,01$	$\sqrt{Ra\ 1.6-3.2}$

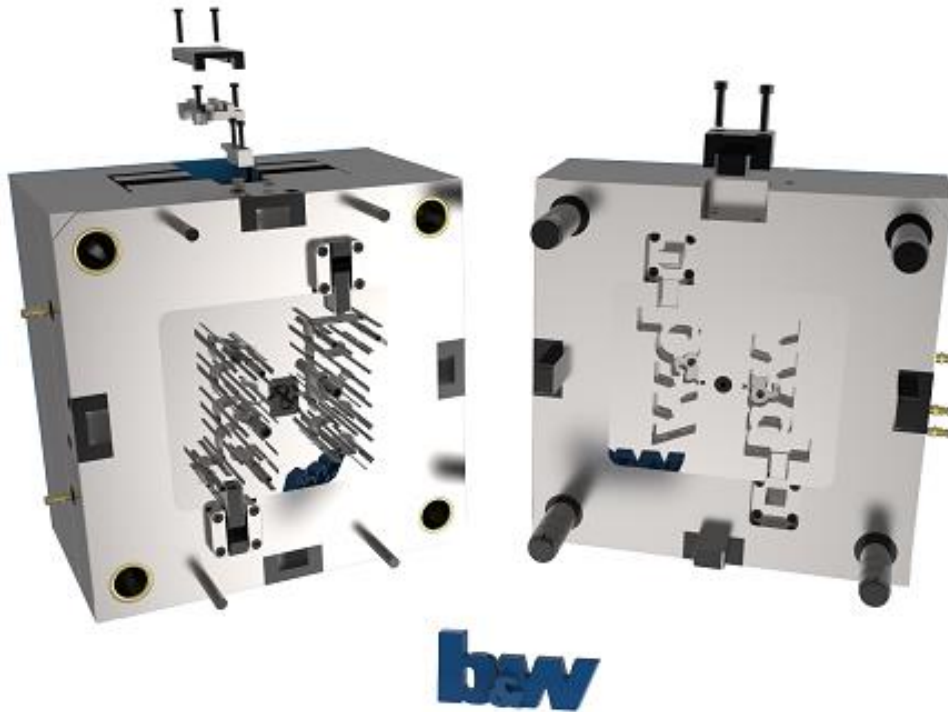


# Enhancements

---

New EMX Tutorial is now available!

- We finally finished our new Tutorial
- You can download the PDF here: [Tutorial](#)

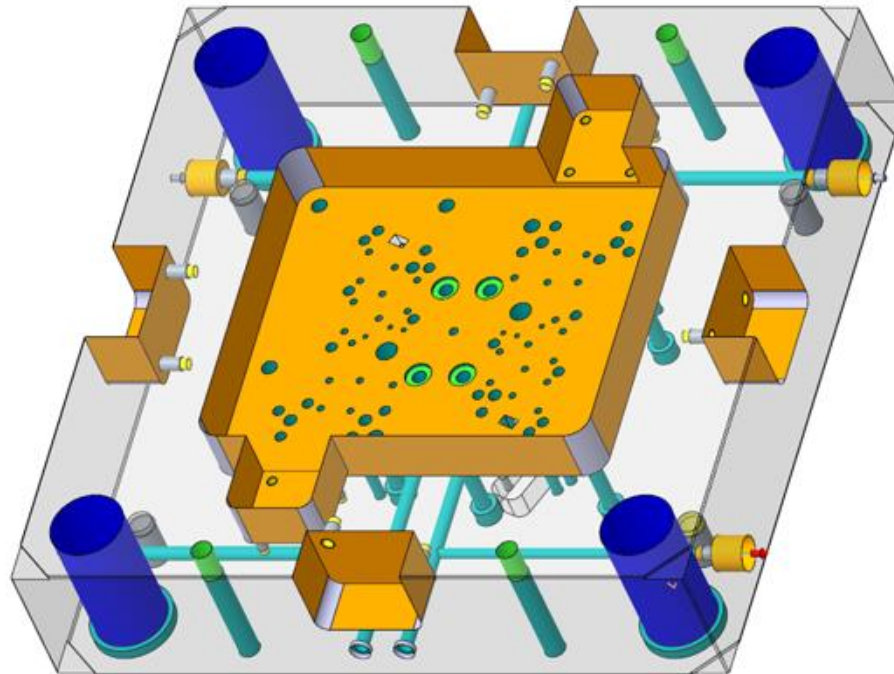


# Enhancements

## EMX is now SMARTColor ready!

- Apply color coding rules with B&W SMARTColor application
- More information on our website: [SMARTColor in EMX](#)

R 192 G 192 B 192		$\sqrt{Ra\ 0.8-6.3}$
R 0 G 175 B 175	$\pm 0,10$	$\sqrt{Ra\ 6.3}$
R 255 G 175 B 0	$\pm 0,10$	
R 255 G 255 B 0	$\pm 0,10$	
R 0 G 0 B 255	H7 $\pm 0,01$	$\sqrt{Ra\ 1.6-3.2}$
R 183 G 183 B 220	$\pm 0,10$	$\sqrt{Ra\ 6.3}$
R 64 G 255 B 64	$\pm 0,05$	$\sqrt{Ra\ 3.2}$
R 255 G 128 B 0	$\pm 0,01$	$\sqrt{Ra\ 1.6-3.2}$



# Enhancements

## New STRACK Z4 latch lock assembly

- New assembly contains all variation of the Z4 latch lock

**STRACK**<sup>®</sup>  
NORMALIEN

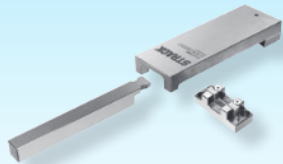
Entformungselemente – indirekt | Demoulding elements – indirect  
Éléments de démoulage – indirects

Klinkenzüge

Latch locks

Ouvres-moules

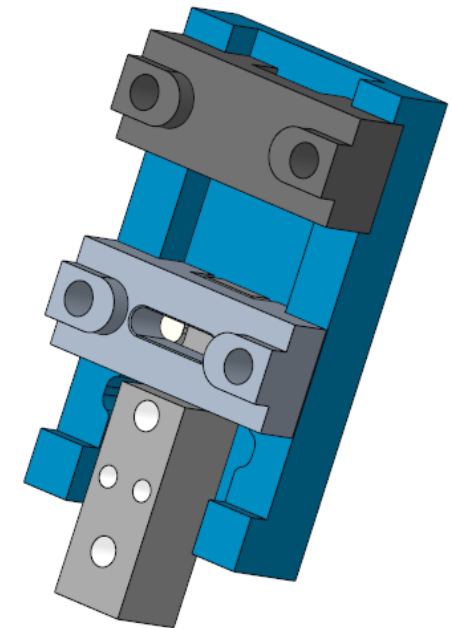
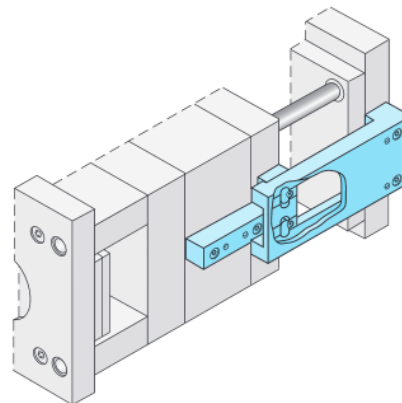
DLC 



Z4-1-

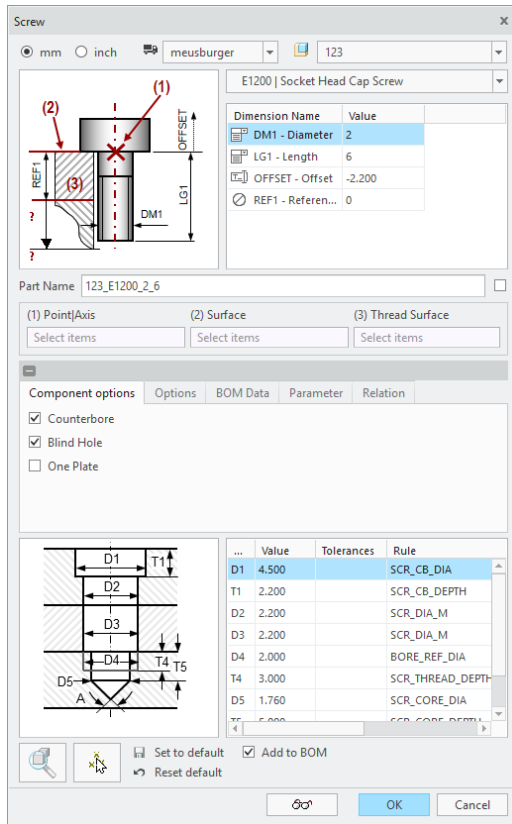
**i** deutsch 6.84-94  
english 6.95-105  
français 6.106-116

 Z4-1-Type

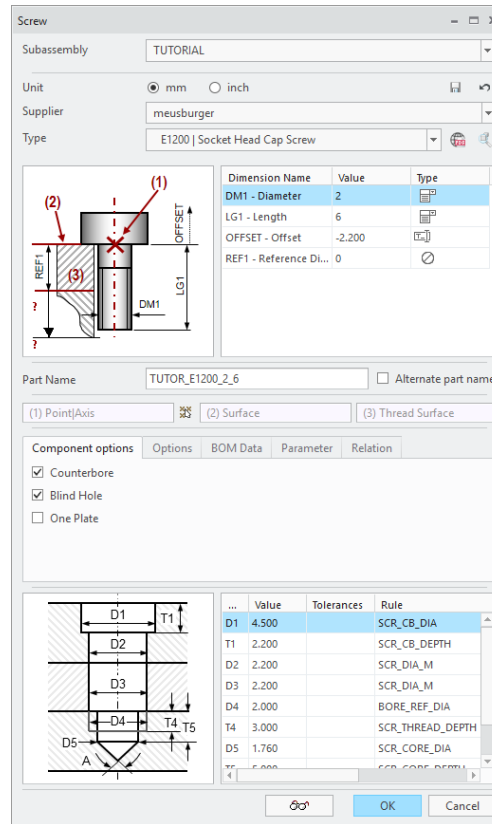


# Enhancements

## Streamlined UI of Component Dialog:



• Old



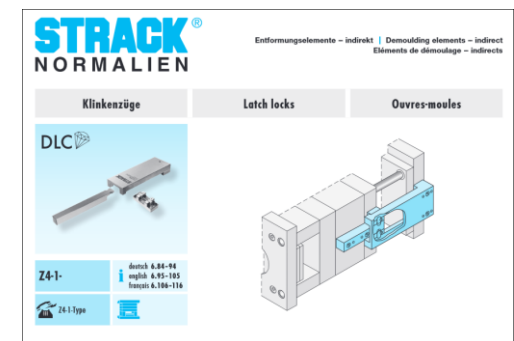
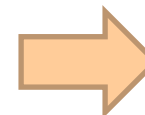
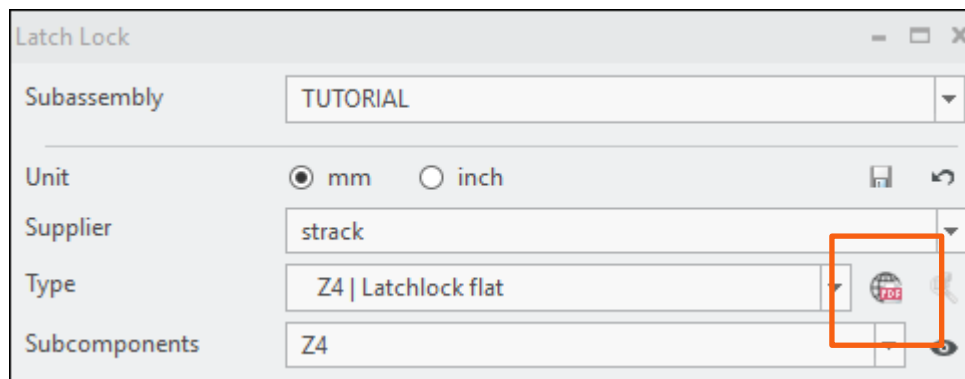
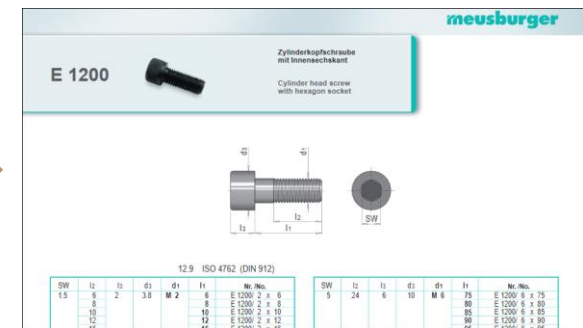
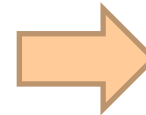
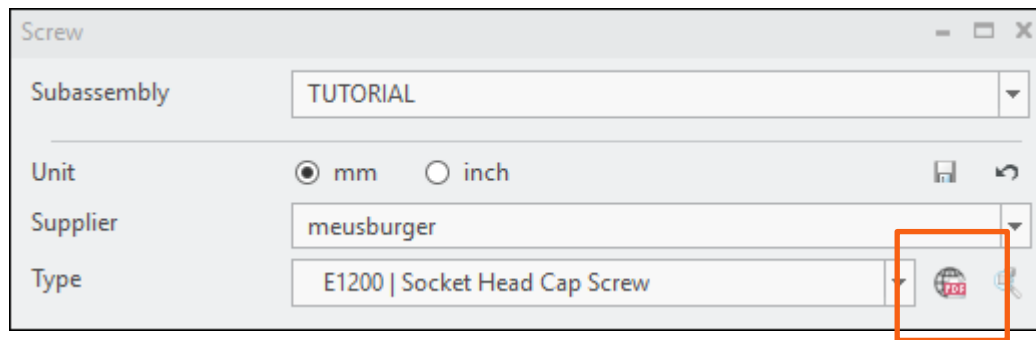
• New

- Type selection improved
- Buttons moved from bottom area to related UI elements
- Dialog is resizable and can be maximized
- Missing UI descriptions added

# Enhancements

## New weblink button in Component Dialog:

- Access data sheets on supplier website with one click!





# Plates

---

## HASCO plates updated:

- All plates and instance updated to latest revision

## New KNARR plates added:

- KNARR – F (Meusburger compatible) and K (Hasco compatible) plates are now available

# Components

## New KNARR guide components:

- 551000, 551000DLC, 551010, 551010DLC and 551100

## New KNARR ejector pins:

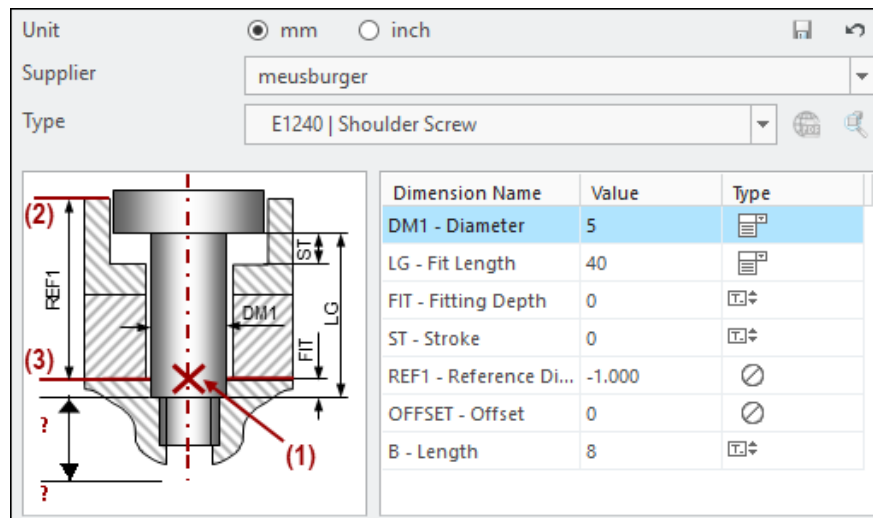
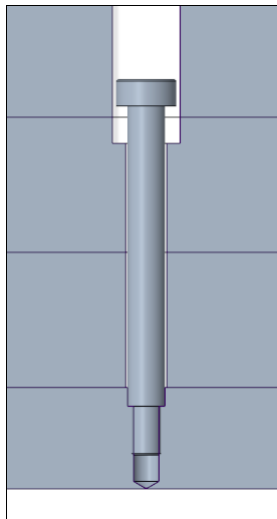
- 539111, 39111DLC and 39414

## New KNARR insulation plates:

- 77335 and 77336

## Improved shoulder screw functionality:

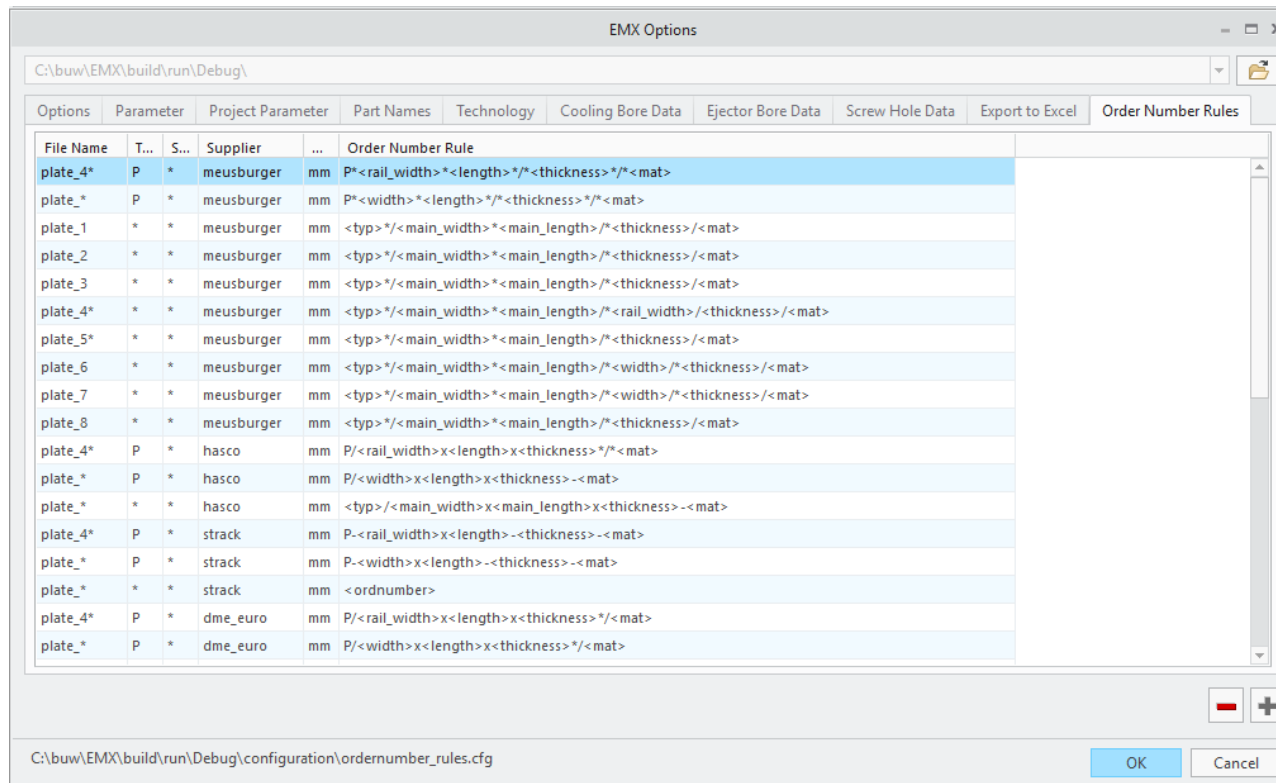
- Meusburger E1240, Hasco Z38, Knarr 40038, DME WZ412 and DIN 7379



# Enhancements

## New configuration section: Define custom order number rules

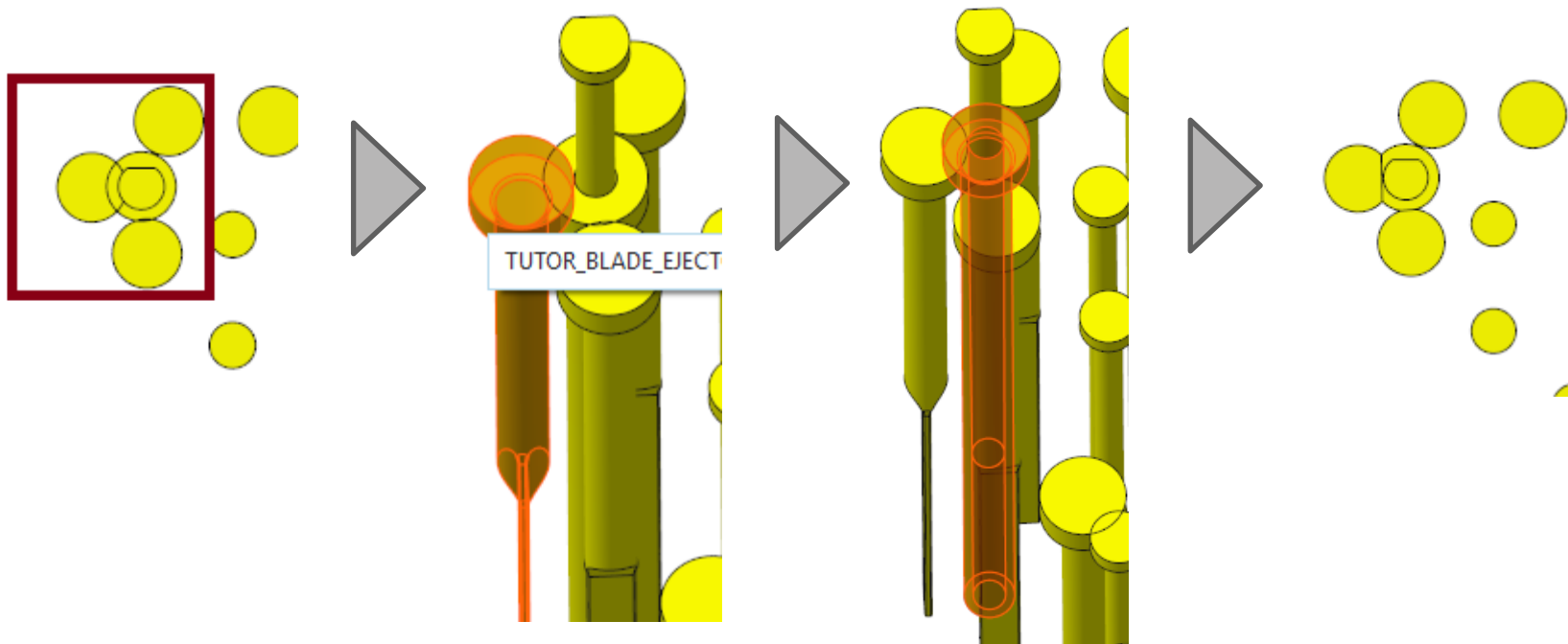
- Rules can now be different for different suppliers, type, units and file names



# Enhancements

## New Feature: Trim Ejector Pin heads against each other

- Interfering ejector pin heads can be trimmed by selecting to different ejector pins

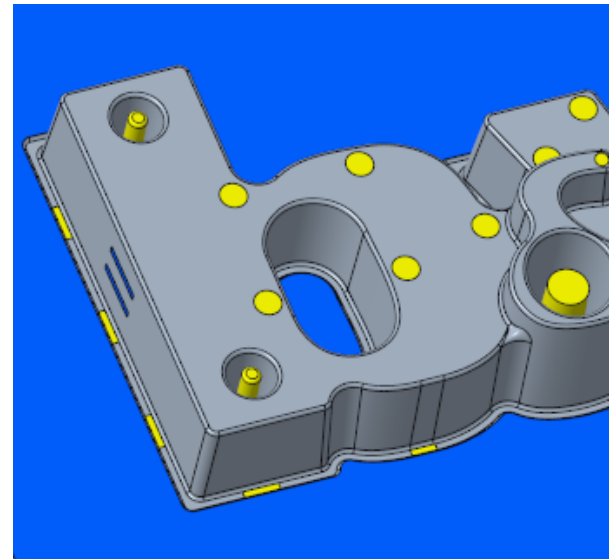
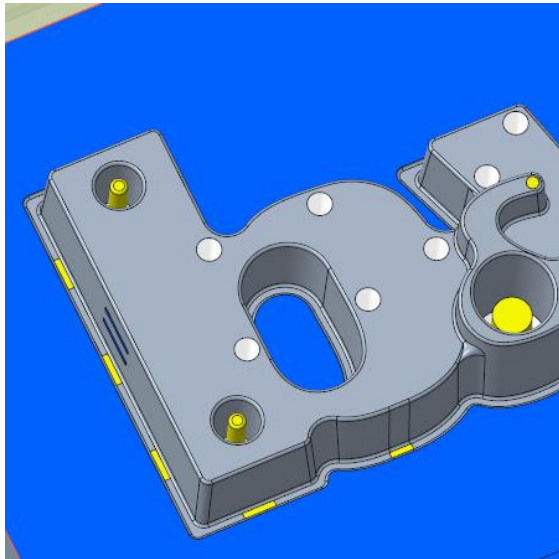


# Enhancements

---

## New Feature: Update Existing Ejector Pins Dialog

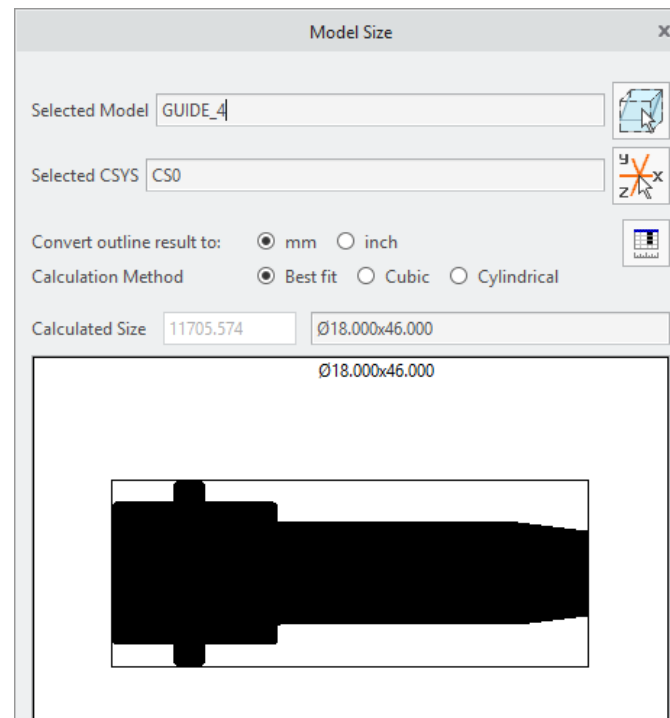
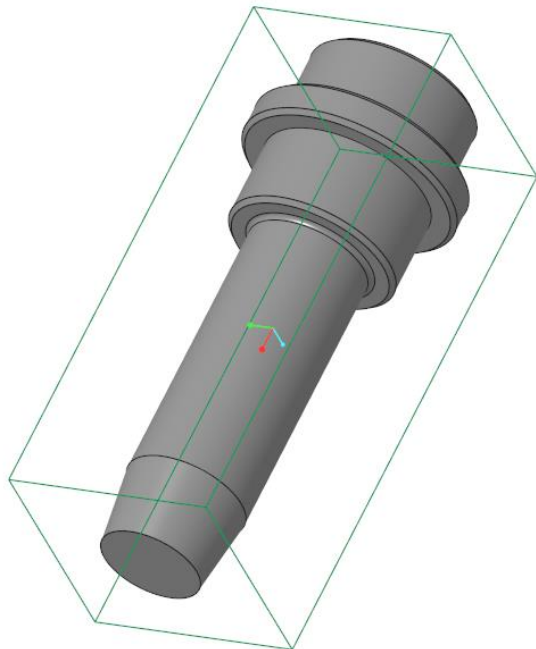
- New command in Ribbon
- Update ejector pins length and order number in case required reference distance has changed.



# Enhancements

## Improvement for Model Size Dialog

- Display outline values in drawing area
- Allow user to toggle between cubical and cylindrical result in case cylindrical result was determined.
- Improve algorithm to detect cylindrical parts



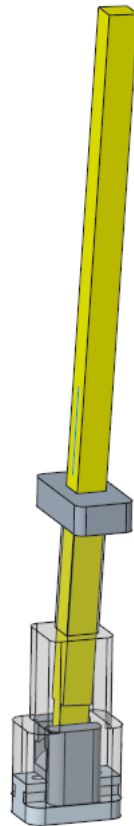
# Enhancements

## New MEUSBURGER Lifter assemblies added

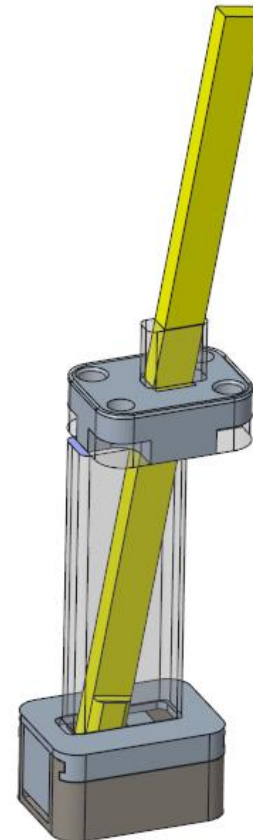
- Additional improvement: Trimmed body can be displayed in Preview



- E3244 + E3240



- E3246 + E3240

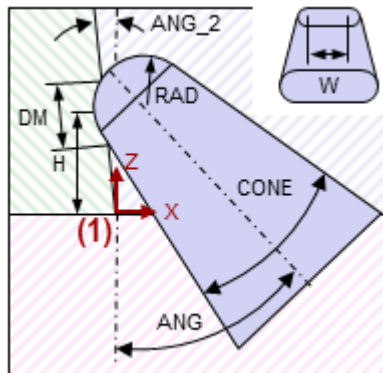


- E32481 +  
E3248 +  
E3249

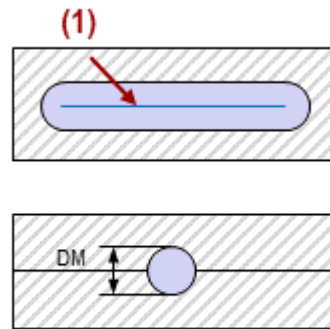
# Enhancements

## New Runner Library Components

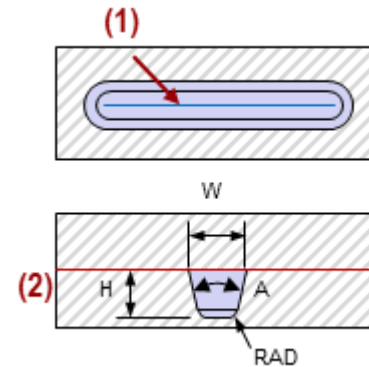
- With the new library components and UDFs runners can be designed easily.



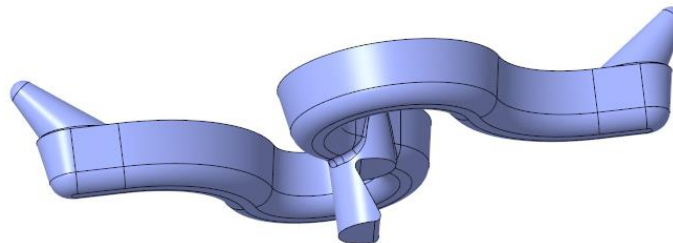
- Conic Gate



- Round runner section UDF



- Trapezoid runner section UDF






# New Components

---

## MEUSBURGER

- New Cooling Components: O-Ring E21311
- New Ejector Pins: E17003 and E1723
- New Side Interlocks: W44, Z38,Z46

## HASCO

- New slide plates Z555, Z556 and Z557
  - New and updated Ejector Pins Z412, Z4650, Z4651, Z4670, Z4671, Z413, Z443, Z457, Z461, Z465, Z44, Z441, Z45 and Z45
  - New Guides Z14 and Z1105
  - New Cooling Components Z9430 and Z9400
- 
- A decorative graphic element consisting of a thick grey curved line with a thin orange line underneath it, located in the bottom right corner of the slide.

# Updated Components

---

## MEUSBURGER

- Update E-Components to latest state: 1st quarter 2019

## HASCO

- Remove deprecated Z30 screw
- Screws: Z30 and Z33
- Knockouts: Z02
- Locating Rings: K100, K107, K500, K501, K505, K506, K1000, Z7510, Z7515, Z7520, Z7525, Z7530, Z7535 and Z7540.
- Dowel Pins: Z25 and Z26
- Guides: Z01, Z010, ZU10, Z20, Z040 and Z0100
- Cooling Components: Z94, Z940 and Z9661

## DIN

- More screw lengths are available for DIN screws
- 
- A decorative curved line in the bottom right corner, consisting of a grey outer curve and an orange inner curve.

# Enhancements

Ejector pins defined on multi point features can be forced to be created as individual models.

- Previously option ENABLE\_MULTI\_EJP behavior in EMX Options
- The EMX Option ENABLE\_MULTI\_EJP only the sets default for check button

