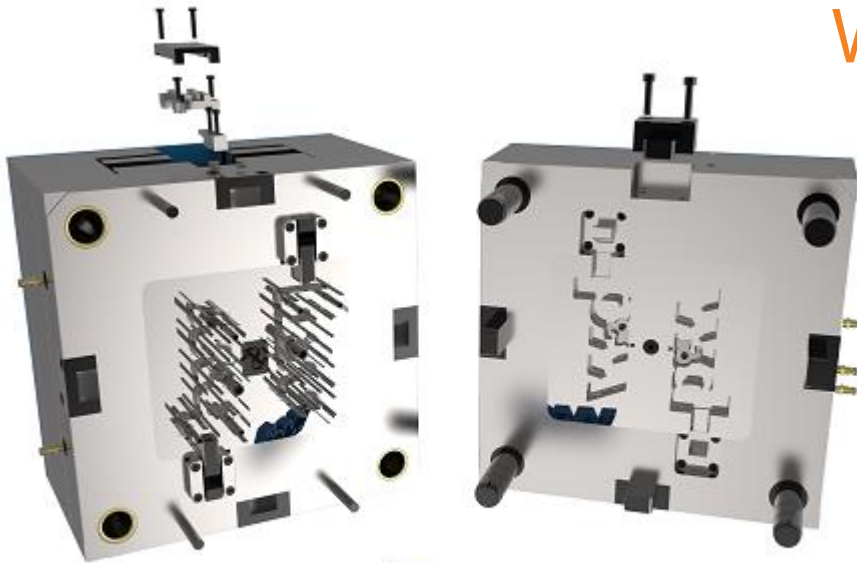


EMX 14.0.2.1

What's New?

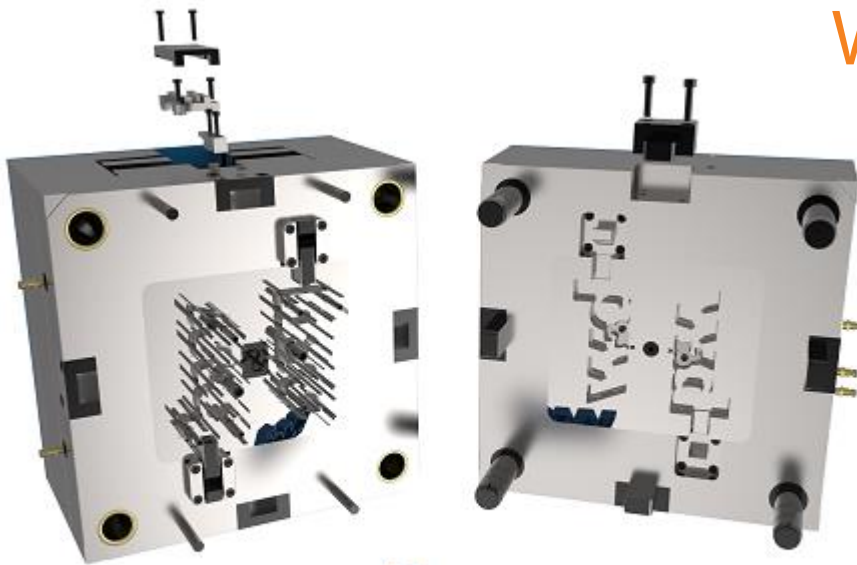


Improvements

- Improved Component Editor
 - Easily create part name rules for assemblies within dat files
 - Improved definition of instance dimensions with right mouse menu
 - etc.
- New config option EXCEL_TEMPALTE_PATH to set up default location for Bill of Material Excel template file

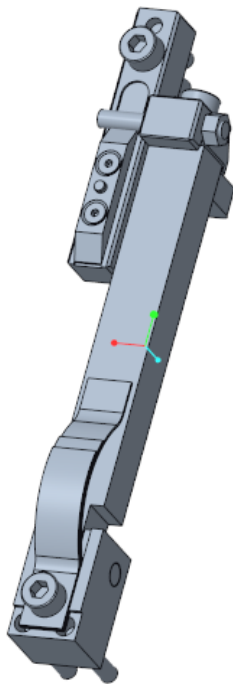
EMX 14.0.2.0

What's New?

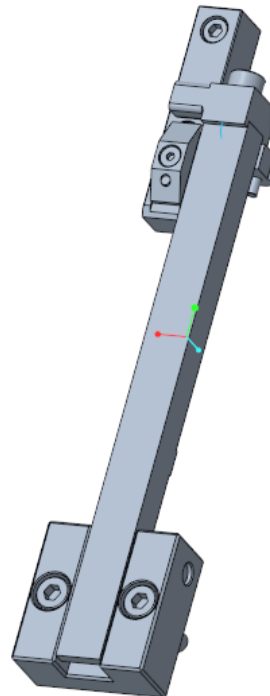


Enhancements

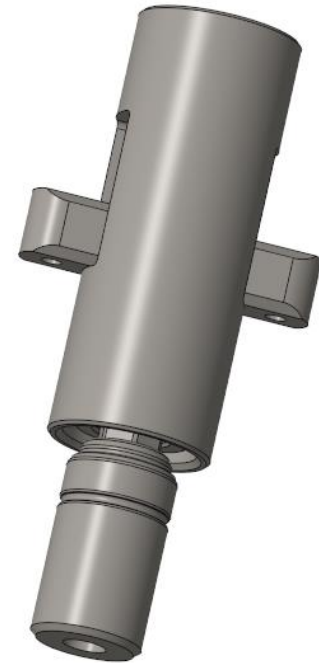
New STRACK Latch Lock Z3 and Z5 implemented:



Z5 – 0/1/2



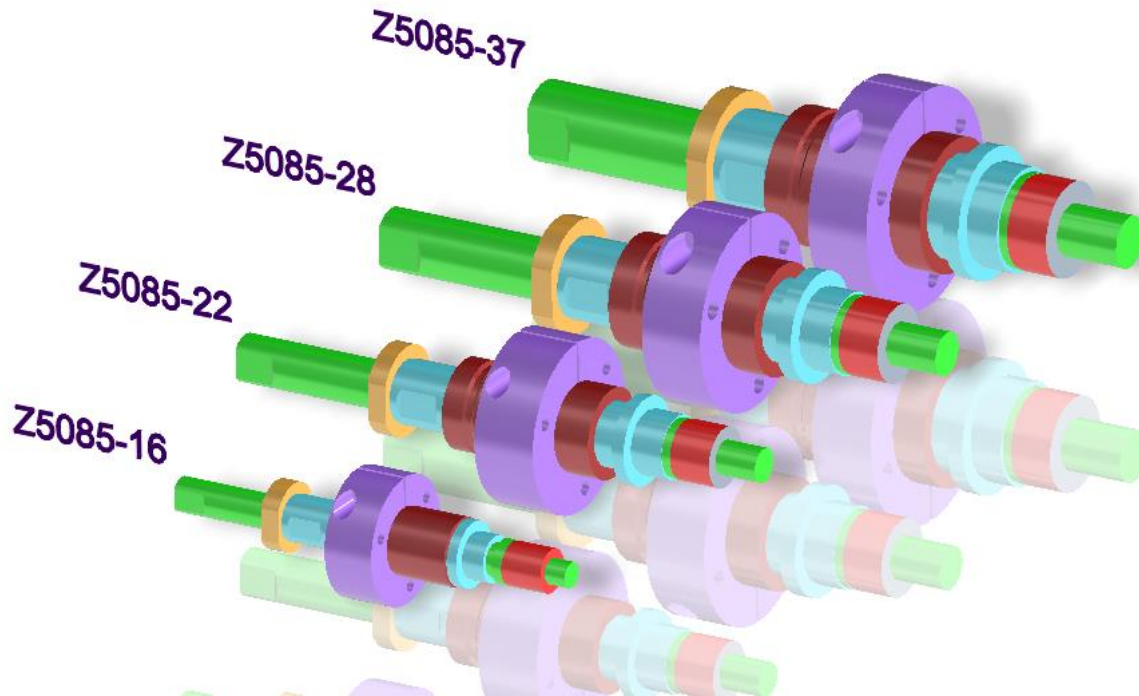
Z5 – 31/32



- Z3 – 1 / 2 / 3
- Z3 – 11 / 21 / 31

Enhancements

New STRACK Two Stage Ejector Z5085 implemented:

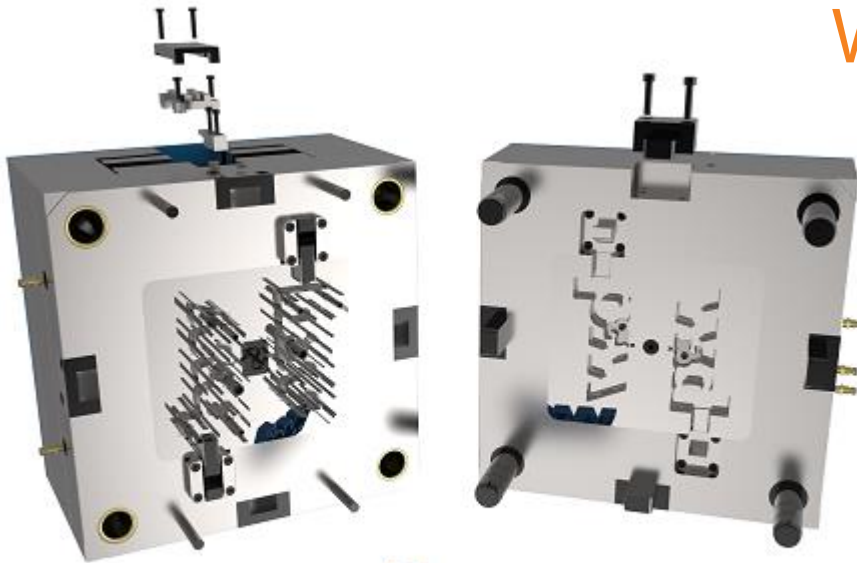


Enhancements

- Update KNARR plates F and K, ejector pins, screws, dowel pins, guides, insulation plates, knockouts, locating rings, stop discs to 2022 catalog status
- Allow <project_name>, <pre>, <post> placeholders in BOM_FILENAME option.

EMX 14.0.1.10

What's New?



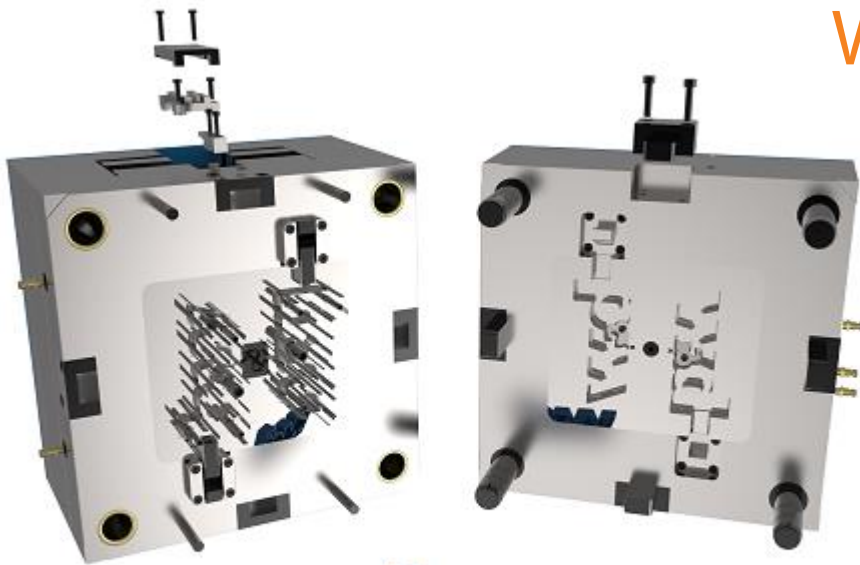
Enhancements

New components:

- New MEUSBURGER cooling components E20767, E20769 and E20809
- New STRACK pneumatic components Z139 Z5144, Z5145 and Z5146
- New STRACK slider holding device Z5129, Z5130, Z5131
- New STRACK stroke cylinders Z5100, Z5101, Z5102
- New STRACK thrust pieces Z3152, Z3154, Z3153, Z3156 and Z3158
- New knockout STRACK Z5085

EMX 14.0.1.6

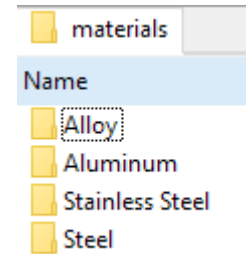
What's New?



Enhancements

Improved MATERIAL_PATH behavior

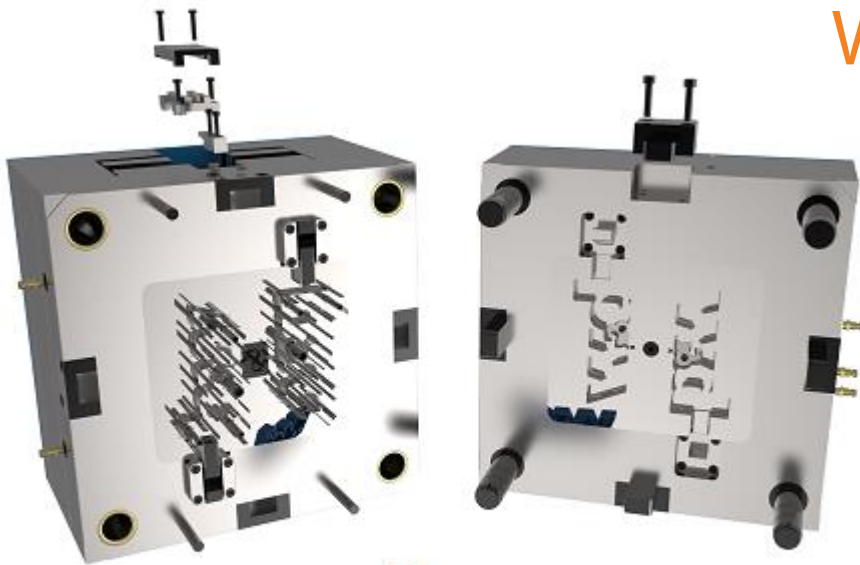
- Materials can be structured in subfolders



- Config Option MATFILE_EXTENSION is no longer active.
- *.mtl files are handled with higher priority than *.mat files
- Search priority is now:
 - Files from Material Path
 - *.mtl
 - *.mat
 - Files from USER_CONFIG_PATH
 - *.mtl
 - *.mat
 - Files from INSTALLATION
 - *.mtl
 - *.mat

EMX 14.0.1.5

What's New?



Enhancements

- New XML based recipe files

Deprecated text-based files still work

- New MEUSBURGER ejector pins

E1770 (with air ventilation), E1780, E17109

- New PEDROTTI guides

EBU2, EBU2B, EZP1H, EBU3B, EZP1

- New PEDROTTI ejector pins

EES2CB, EES2DLC, EES2NL, EES2CL_2RAD, EES2CL_4RAD

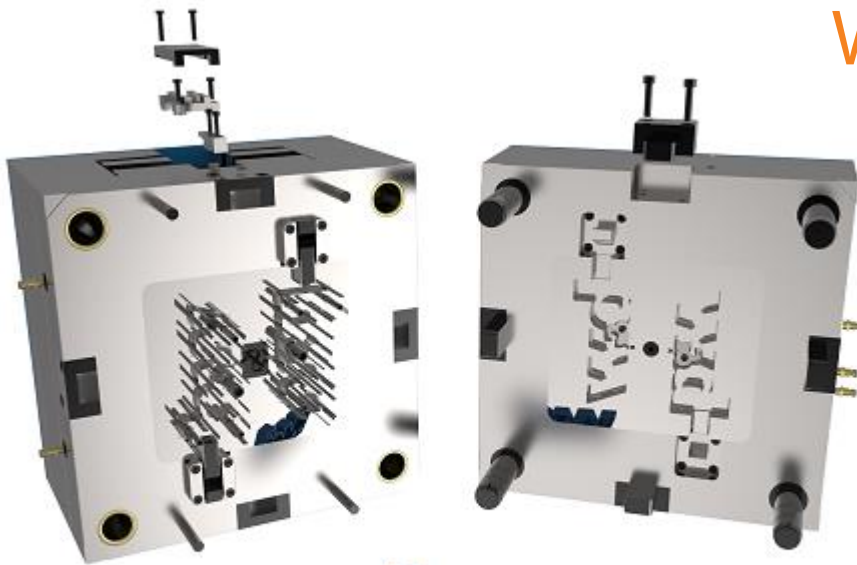
- Option “Force cutout in surface owner” removed for guides, ejectors and screw

Not required anymore due to improved cut out algorithm

A decorative graphic element consisting of a thick grey curved line and a thinner orange curved line, both curving upwards from the bottom right corner of the slide.

EMX 14.0.1.4

What's New?



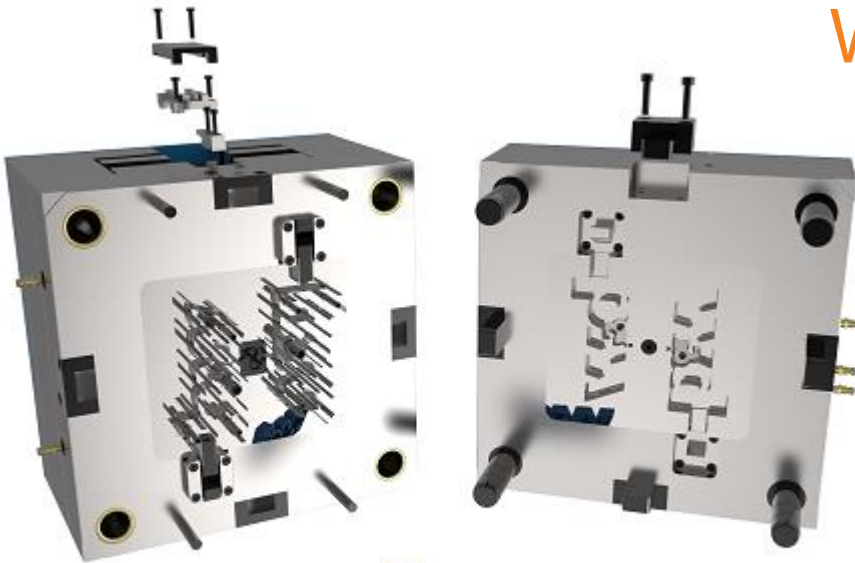
Enhancements

- New weblink button in Library Component Dialog
- New and updated PEDROTTI guide components

EBU1, EBU1B, EBU1BG, EBU1H, EBU1HBG, EBU1S, EBU1SBG, EBU1SH, EBU3, EBU3B, ECO1, ECO1H, ECO1S, ECO1SH, ECO2, ECO2E, ECO2L, ECO2LC, ECO2SG

EMX 14.0.1.1

What's New?



Enhancements

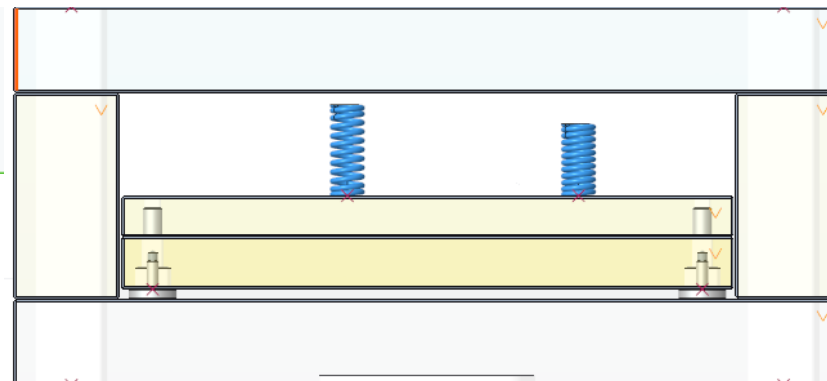
New Flexible Springs:

- Springs can now be assembled as flexible models.
- Implemented for Hasco, Meusburger and Strack springs.
- The same model can be assembled multiple times, but with different lengths

Dimension Name	Value	Type
DM2 - Diameter	19	
LG0 - Length	90	
DM1 - Inner Diameter	10	
L_n - Minimal length	73	
F_n - force	1669	
L_un - Length unload	90.000	
L_lo - Length loaded	73.000	
OFFSET - Offset	0	

F_{un} = 0.00
F_{lo} = 1669.00
S = 17.00

- ▶ Group EMX_REF_POINT_PLANE
- ▶ 123_SPRING_20.PRT
- ▶ Group EMX_REF_POINT_PLANE_1
- ▶ 123_SPRING_20.PRT



EMX 14.0.1.0

What's New?

