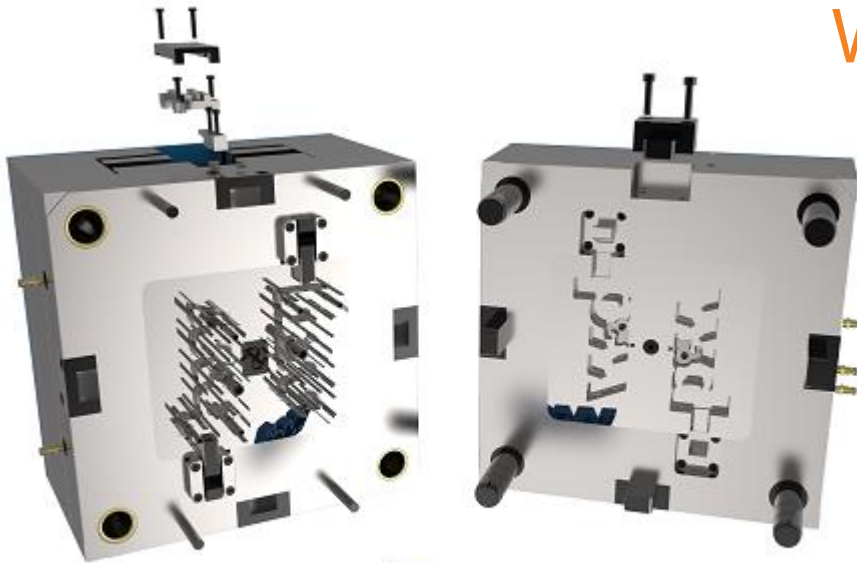


# EMX 15.0.2.0

What's New?



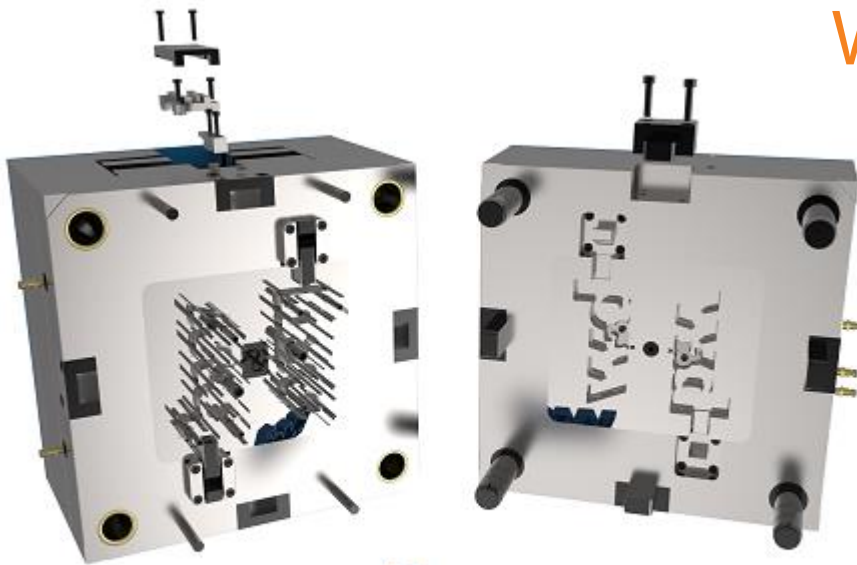
# Improvements

---

- Add new Misumi guide components GPH and GPHL.

# EMX 15.0.1.4

What's New?



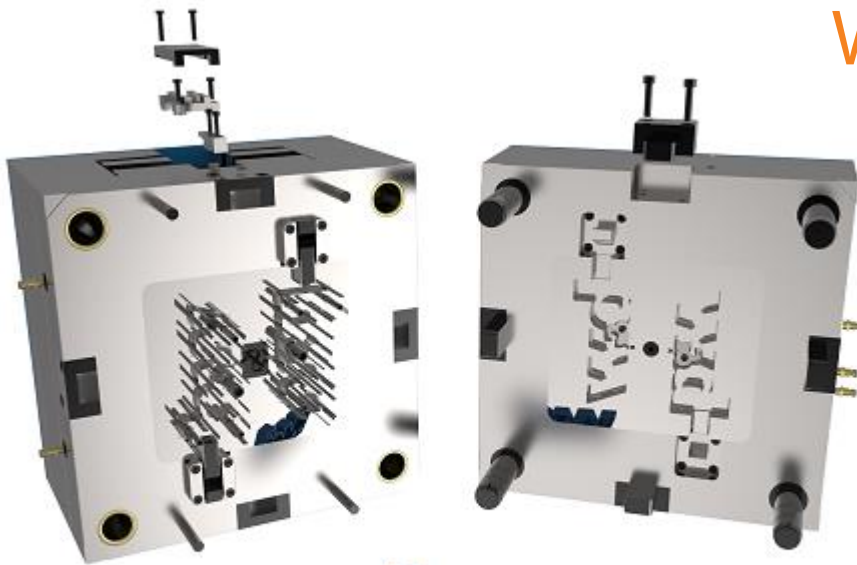
# Improvements

---

- Improved Component Editor
  - Easily create part name rules for assemblies within dat files
  - Improved definition of instance dimensions with right mouse menu
  - etc.
- New config option EXCEL\_TEMPALTE\_PATH to set up default location for Bill of Material Excel template file

# EMX 15.0.0.0

What's New?



# Enhancements

---

Compatible with new Creo 9.0.0.0