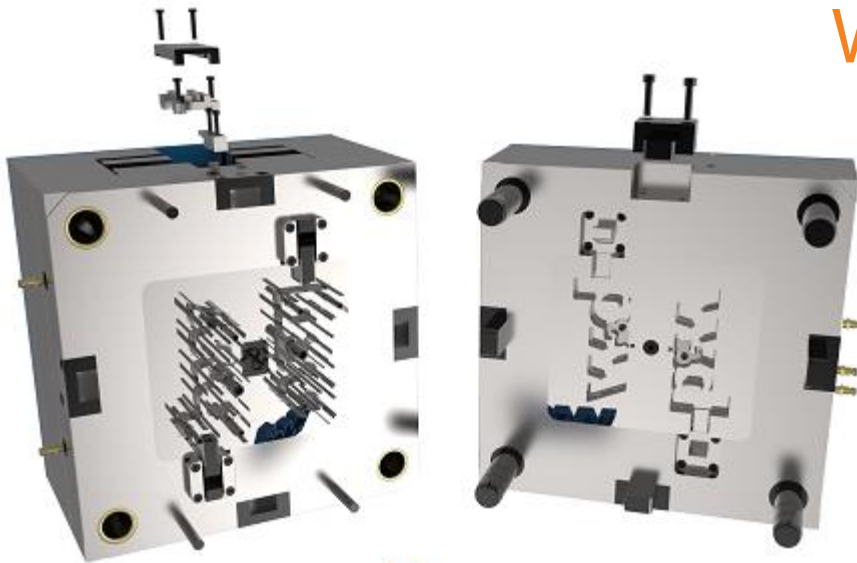


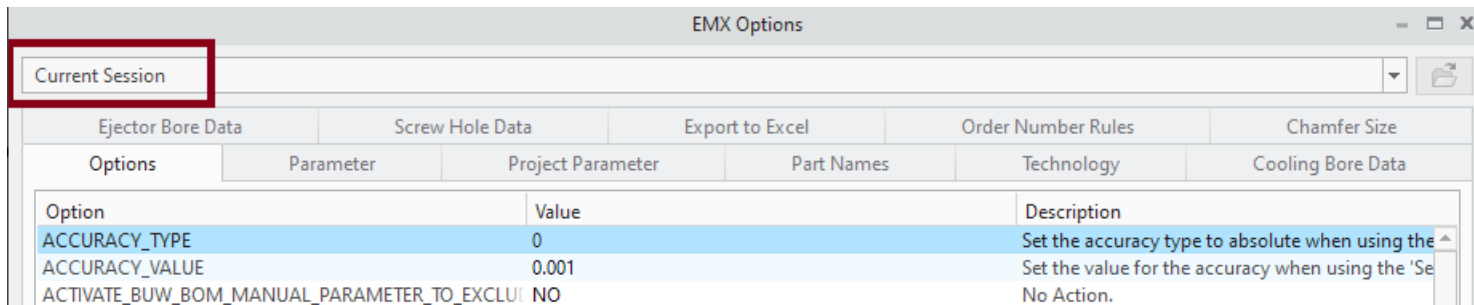
# EMX 15.0.4.6

What's New?



# Enhancement

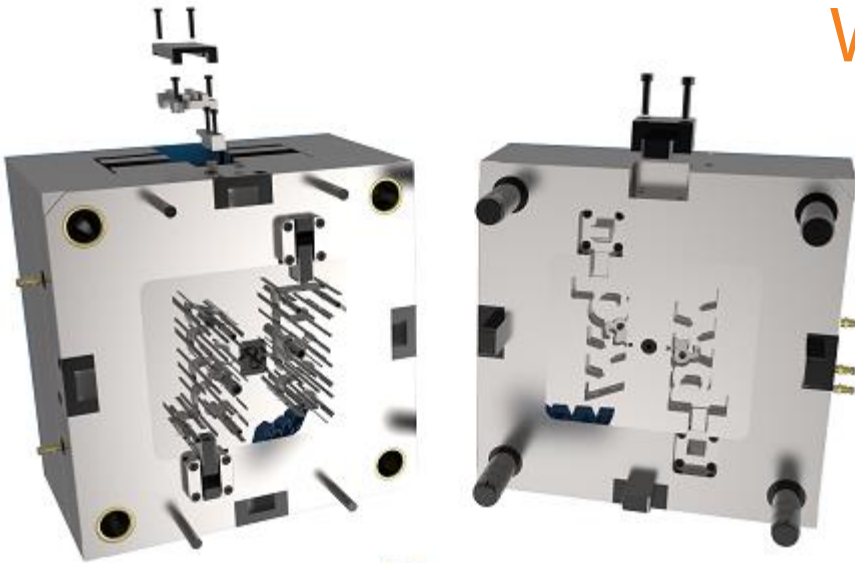
- Introduce functionality to save configuration to current session only. “Current Session” can be selected in Options Dialog from option menu



- Several minor fixes and internal improvements

# EMX 15.0.4.5

What's New?



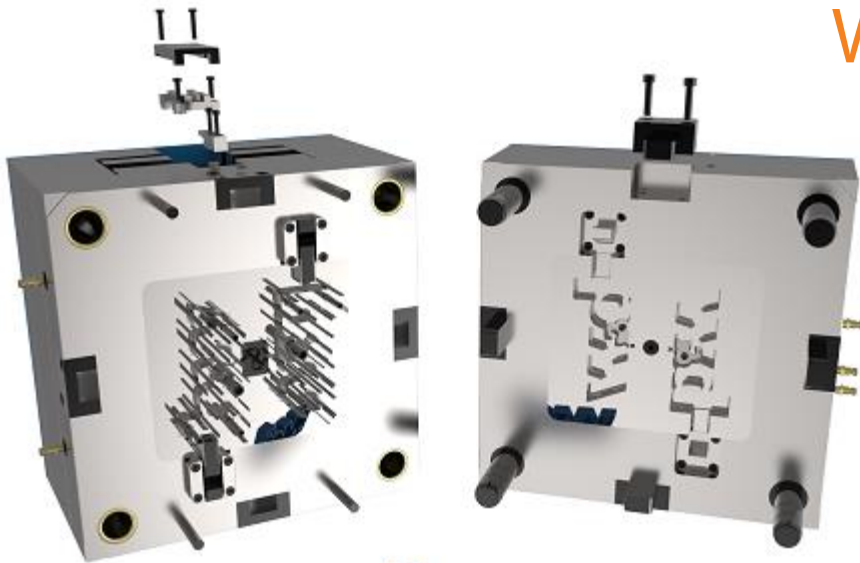
# Enhancement

---

- Update Smart Holechart to Version 15.0.0.4
- Allow flexible items for guide components
- Several minor fixes and internal improvements

# EMX 15.0.4.3

What's New?



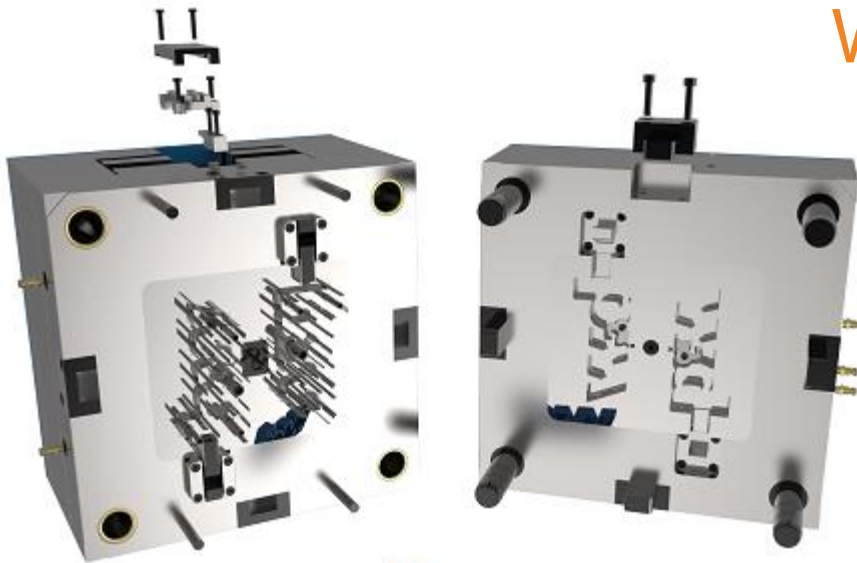
# Enhancement

---

- Update existing MEUSBURGER components to state April 2024
- Enhancements for Engraved Texts for ejector pins:
  - New Options EJP\_ENGRAVED\_TEXT\_TYPE: Sketch can be created as contour or middle line.
  - Parameter defined in PARAM\_EJP\_ENGRAVED\_TEXT will only be created at ejector pin models.

# EMX 15.0.4.0

What's New?



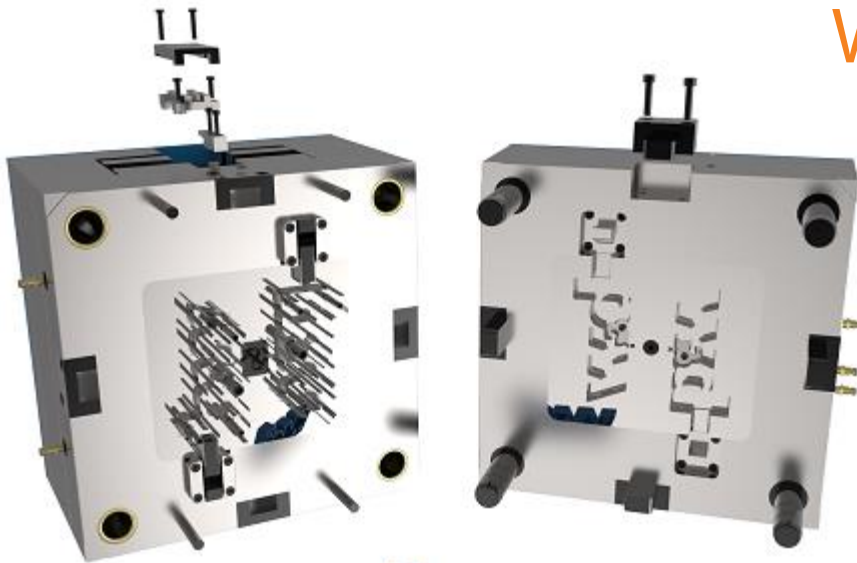
# Enhancement

---

- Update SmartHolechart to version 15.0.0.3

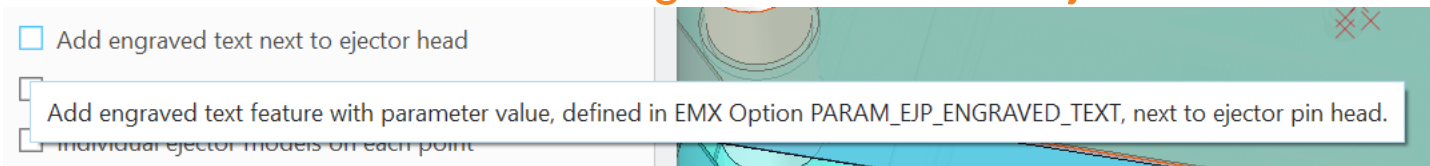
# EMX 15.0.3.12

What's New?



# Enhancement

## New Feature: Assemble engraved texts for Ejector Pins



- New Option in Ejector Dialog: *Add engraved text next to ejector head*
- Text feature will be created in ejector model on head surface and next to head cutout UDF in plate.
- Text is controlled by relation and driven by a part parameter
- Part parameter must be defined with new Configuration Option *PARAM\_EJP\_ENGRAVED\_TEXT* otherwise option in ejector dialog is disabled.
- New config file: *engraved\_text\_heights.cfg* to define valid text heights



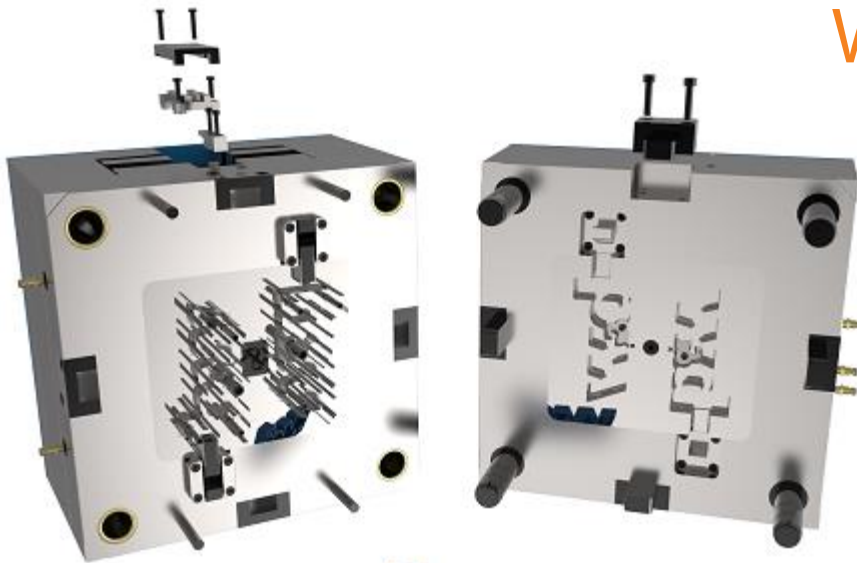
# Enhancement

---

- Update existing HASCO components to state April 2024
- Update existing KNARR components to state April 2024
- Improve performance of additional chamfer creation in case of multiple point features.

# EMX 15.0.3.11

What's New?



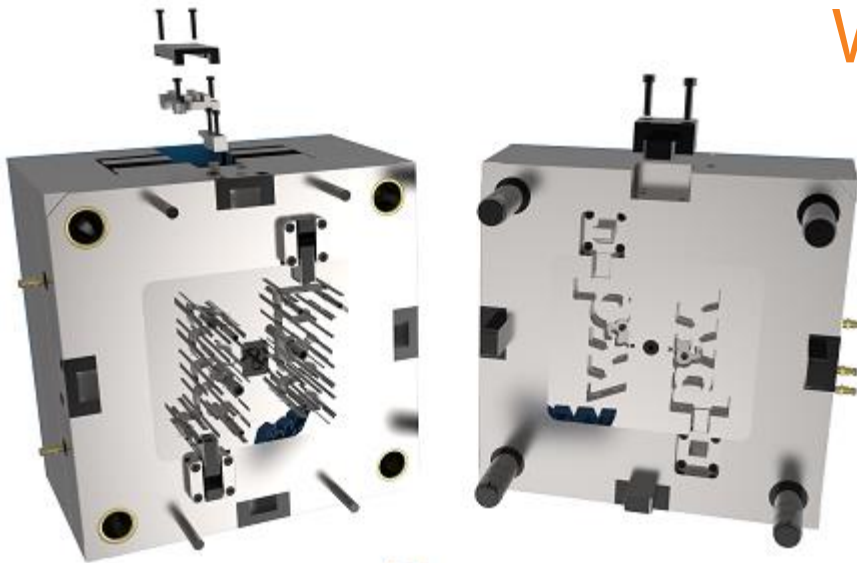
# Enhancement

---

- Update existing Meusburger components to state January 2024

# EMX 15.0.3.10

What's New?



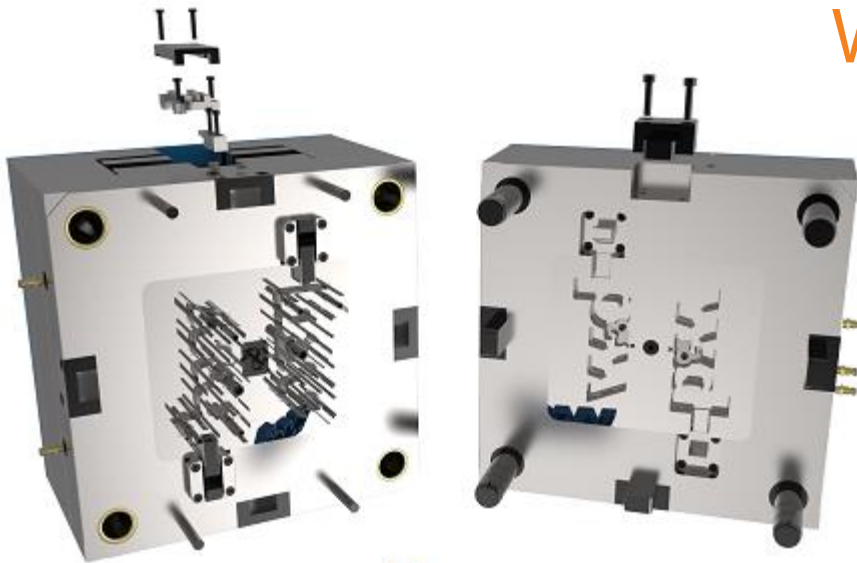
# Enhancement

---

- New Stäubli CBX and CBI connectors for Hydraulics
- Improved Stäubli RMI and CBI connectors in cooling
- Overall improved functionality: Selectable option sealing and BF
  
- New Knarr Eyebolt screw 40811

# EMX 15.0.3.9

What's New?



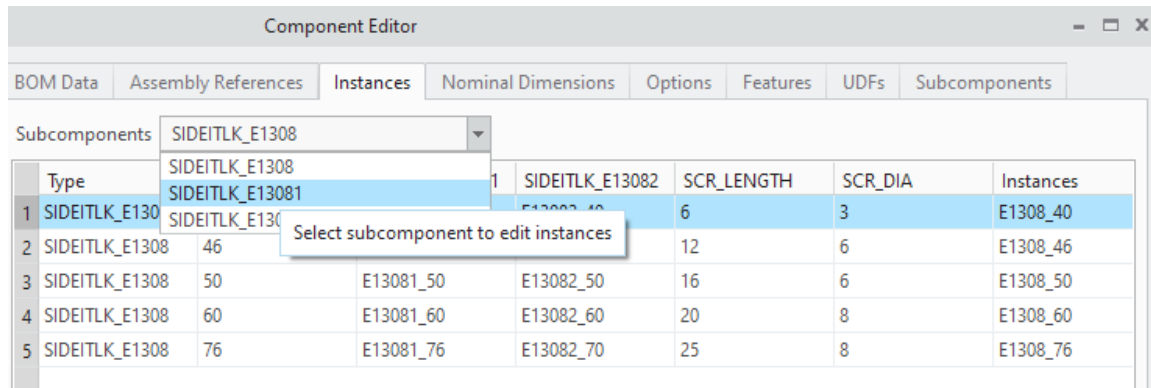
# Enhancement

---

- New HASCO components:
  - Guide component: Z1300
  - Ejector Pins: DLC shouldered Z4430, cylindrical air-ventilated pin Z401
  - Top Interlocks: Cubic interlocks Z060 and Z080, spacer plate Z081.
  - Side Interlocks: Z085.
  - Attachment components: Flange Z167, Cycle Counters A5730, A5730HT, A57300, A57300HT, A5731, A5732
- Existing HASCO components updated to state of Summer 2023

# Enhancement

- Component Editor: Enhanced functionality to edit subcomponent instances  
 → Library Assemblies can be now fully defined in Component Editor.



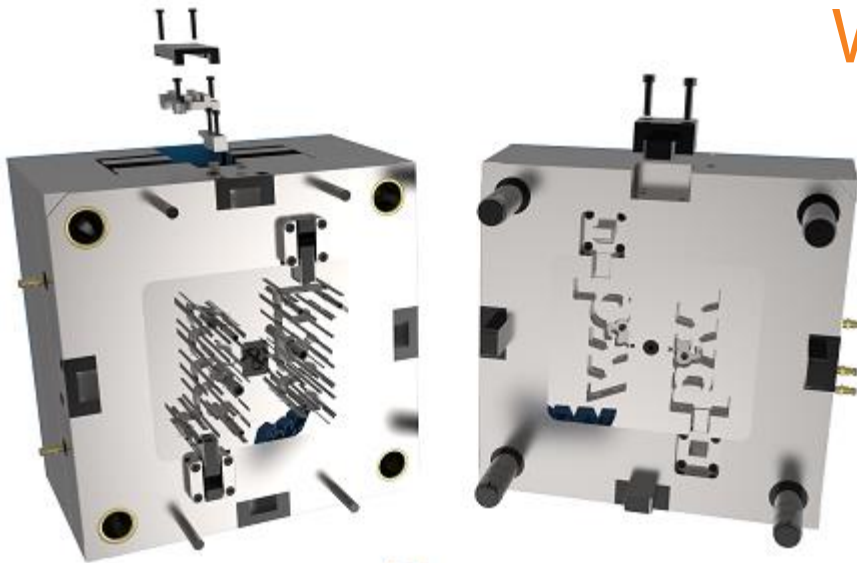
The screenshot shows the 'Component Editor' window with the 'Instances' tab selected. A table lists subcomponent instances with columns for Type, Length, Diameter, and Instances. A dropdown menu is open over the first row, and a tooltip 'Select subcomponent to edit instances' is visible.

Type	Length	Diameter	Instances
SIDEITLK_E1308	46	6	E1308_40
SIDEITLK_E1308	50	6	E1308_50
SIDEITLK_E1308	60	8	E1308_60
SIDEITLK_E1308	76	8	E1308_76

In case subcomponents exists selected from option menu.

# EMX 15.0.3.6

What's New?



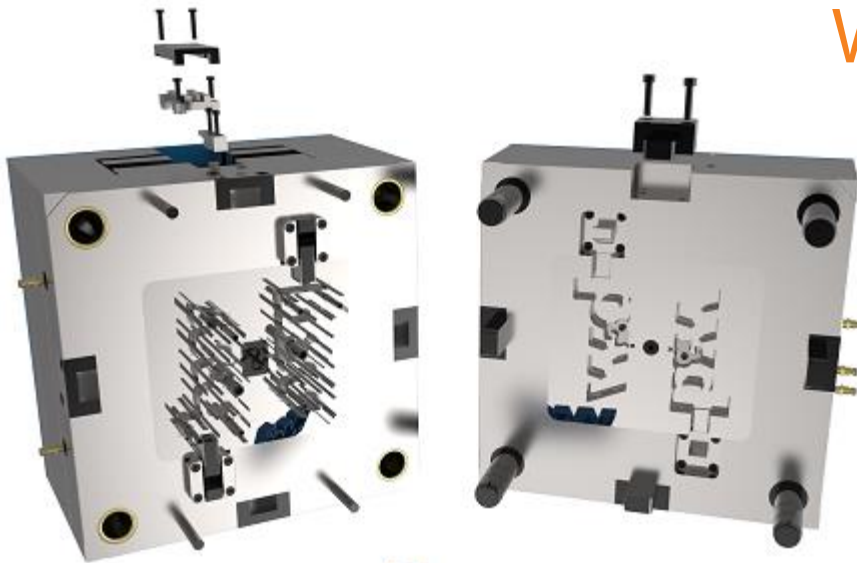
# Enhancement

---

- Meusburger components updated to Status July 2023
- Diverse issues solved

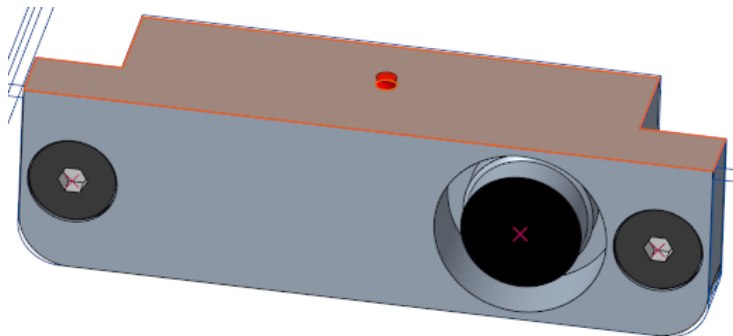
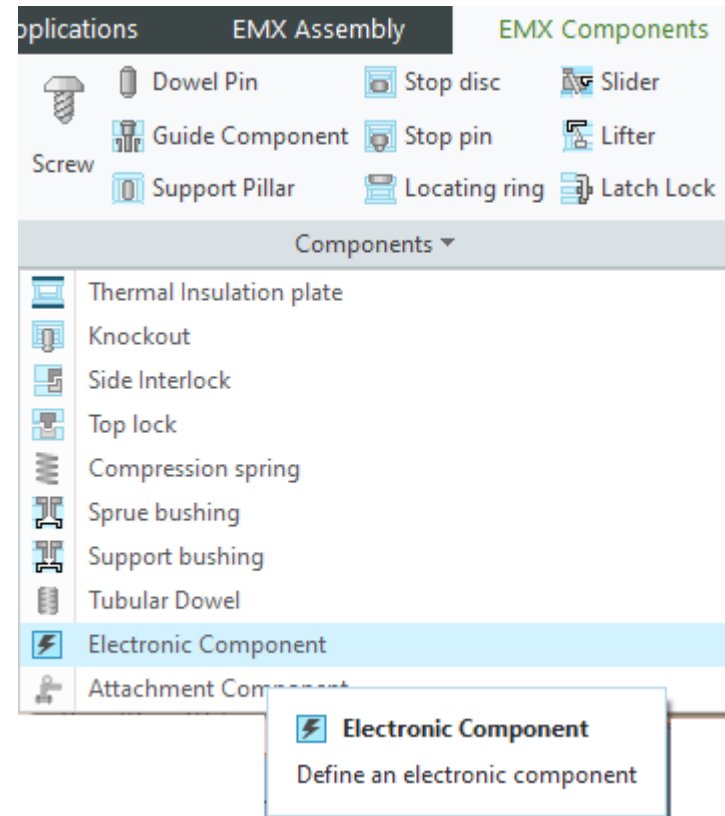
# EMX 15.0.3.4

What's New?



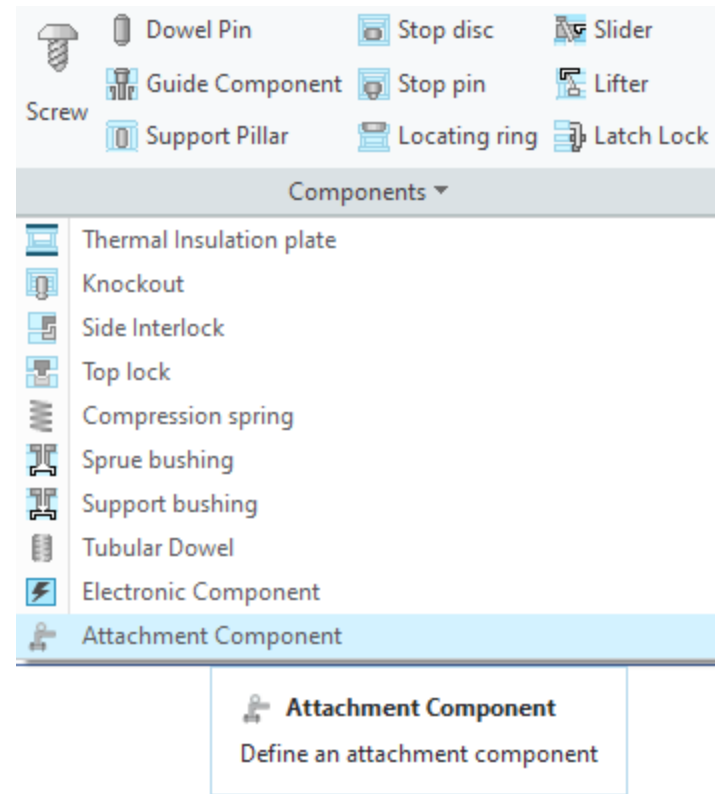
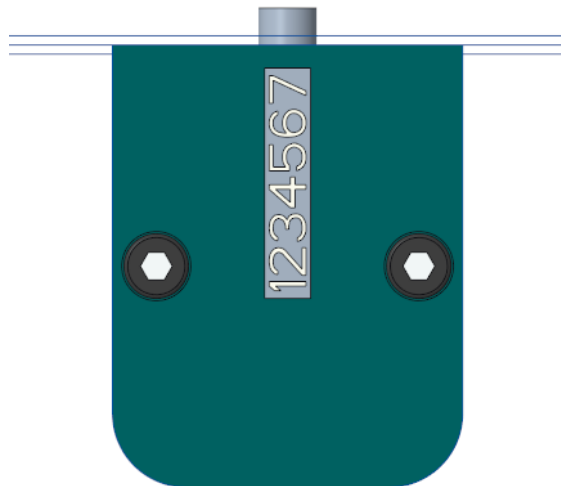
# Enhancement

- New Component Type: **Electronic Components**
- **KNARR:** 807600, 807600-2, 807700, 807700-2, 807650, 808600, 808600-2, 808700, 808700-2, 808650, 807600-4, 808600-4
- **MEUSBURGER:** E6500, E65005, E6502, E65025, E6504, E6505, E65055, E6507, E65075, E6509
- **STRACK:** Z7600, Z7600-2, Z7600-4



# Enhancement

- New Component Type: **Attachment Components**
- **MEUSBURGER** limit switches:  
E6500, E65005, E6502, E65025,  
E6504, E6505
- **MEUSBURGER** transport bridge  
E1930
- **OPTIZ** date stamps



# Enhancements

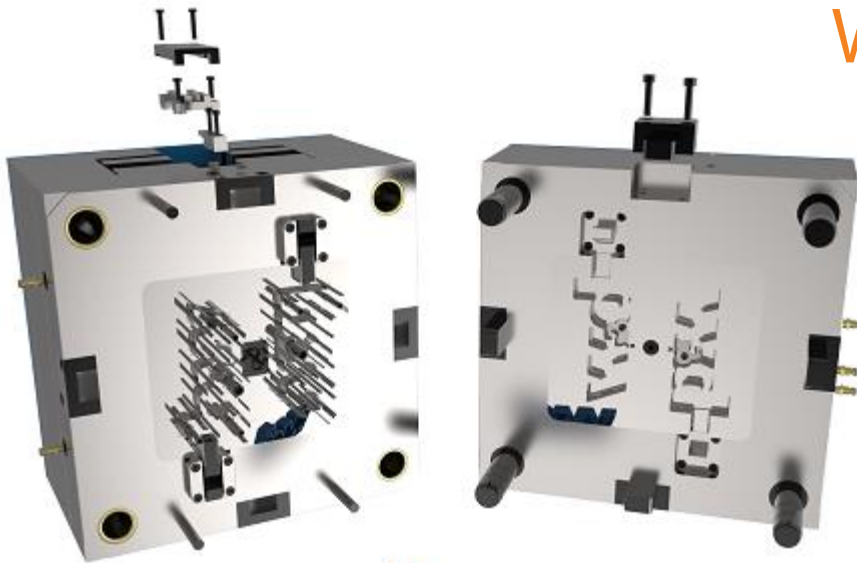
---

## New components:

- New KNARR guide FreeLub 517404

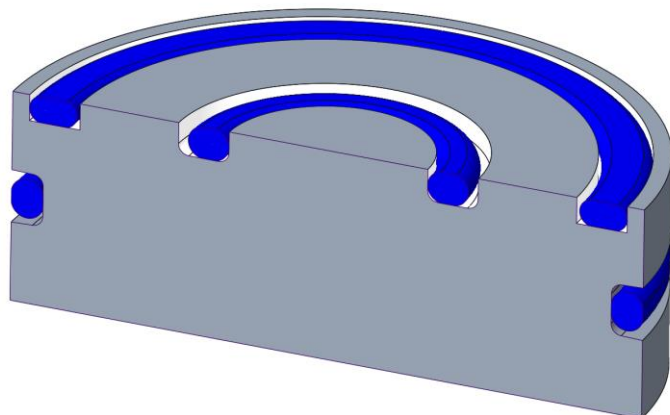
# EMX 15.0.3.1

What's New?



# Enhancement

- New American Standard Sealing Rings for different assembly situations
- Components are assembled as flexible models.
  - Same model can be used in different assembly scenarios.
  - Model changes width based on compressed height without changing the volume of the sealing ring.
- Inner and outer pressure and coaxial scenarios are supported.



Cooling Component

Subassembly: 123

Unit:  mm  inch

Supplier: as

Type: AS568\_AXIAL\_FKM\_75 | O-Ring

Dimension Name	Value	Type
DM2 - Diameter	1.78	
DM1 - Inner Diameter	1.78	
DM_FLEX - Mounting	5.287	
W_GROOVE - W_GROC	2.4	
T_GROOVE_FLEX - Gro	1.5	
DM_RESULT - Result Di	0.487	
OFFSET - Offset	0	

Part Name: 123\_AS568\_004\_1\_78\_1\_78

(1) Curve|Axis|Point (2) Surface

Component options:  Circular Groove  Add additional chamfers to edges

Draft Cut  Without Core Bore

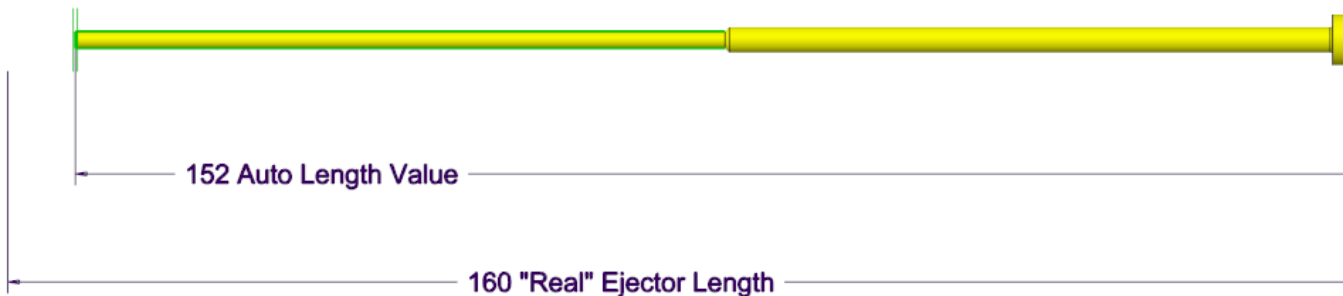
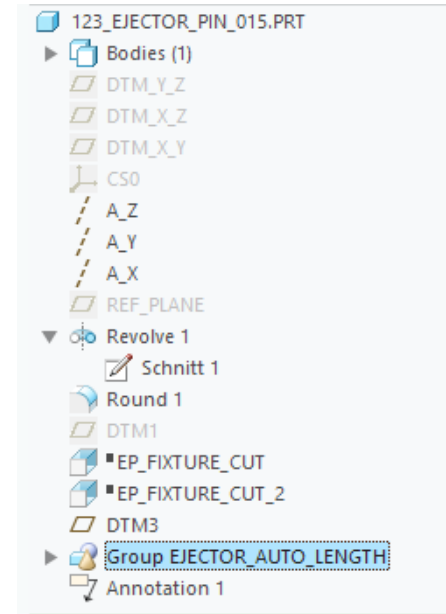
Define depth by: Use curve length

Na:	Value	Tolerances	Rule
D5	1.000		1
T5	0.000		AUTO_DEPTH
D1	5.287		DM_FLEX
T1	1.500		T_GROOVE_FLEX
D3	0.487		DM_FLEX-2*W_GROOV
A	59.000		59
TX	3.000		T_GROOVE_FLEX*2

OK Cancel

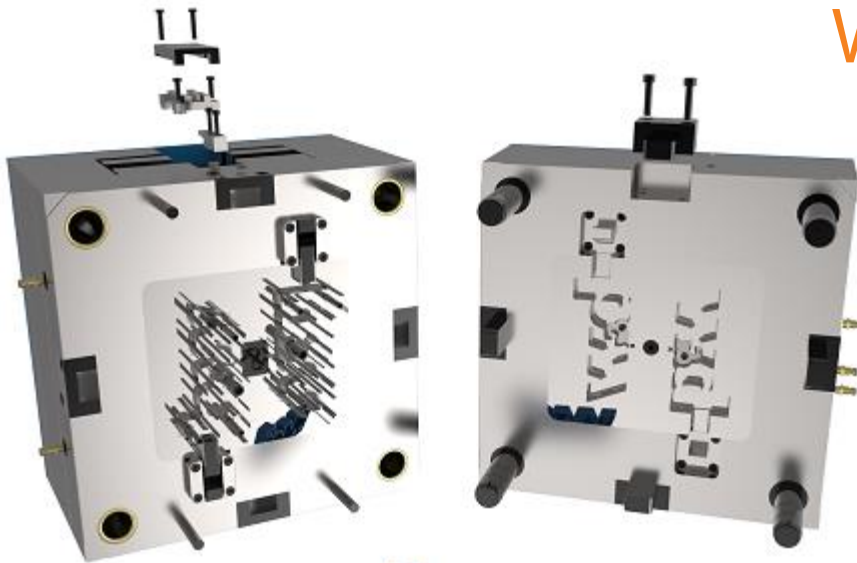
# Improvements

- Improved “Trim” feature behavior for ejector pins
  - Improved “Auto Length” feature behavior for ejector pins
- Auto length feature is now created as additional feature in ejector model.
  - “Real” length of ejector model is untouched.
  - In Modify mode “Auto Length” and “Trim” feature can be unset again.



# EMX 15.0.2.0

What's New?



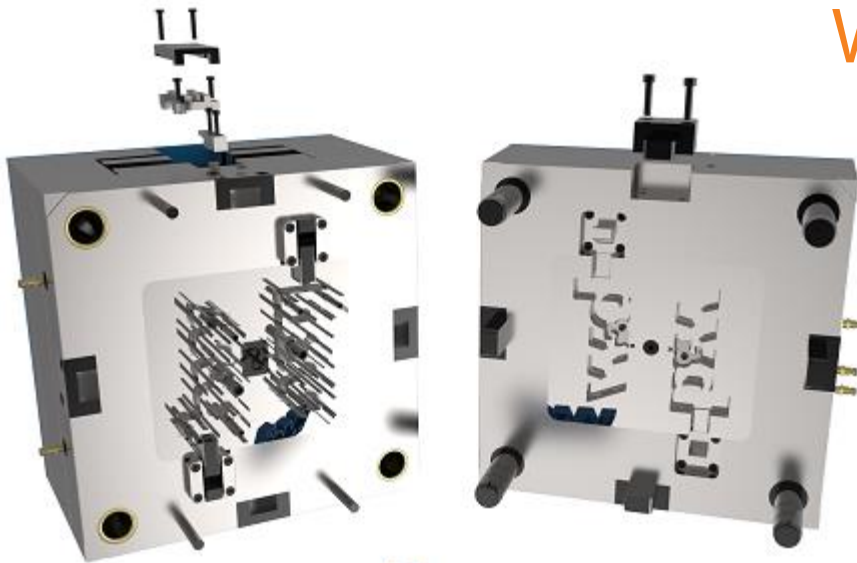
# Improvements

---

- Add new Misumi guide components GPH and GPHL.

# EMX 15.0.1.4

What's New?



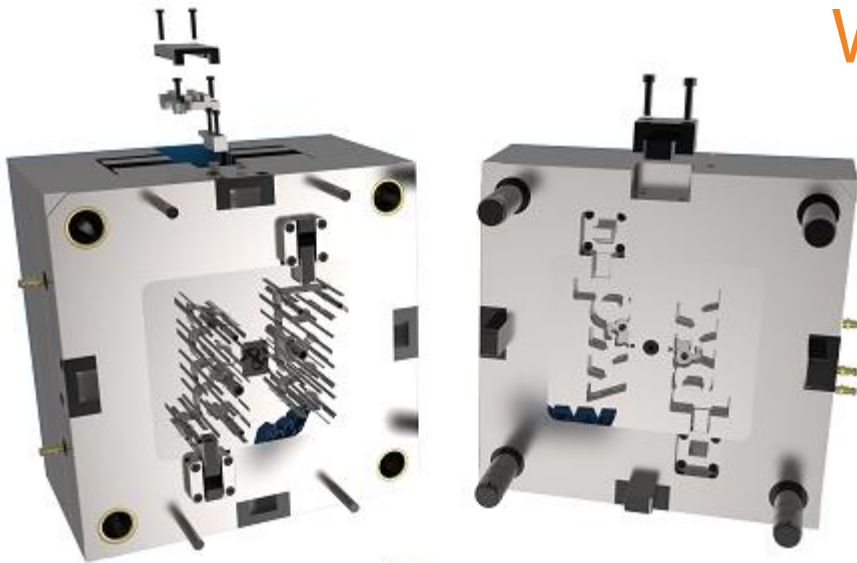
# Improvements

---

- Improved Component Editor
  - Easily create part name rules for assemblies within dat files
  - Improved definition of instance dimensions with right mouse menu
  - etc.
- New config option EXCEL\_TEMPALTE\_PATH to set up default location for Bill of Material Excel template file

# EMX 15.0.0.0

What's New?



# Enhancements

---

Compatible with new Creo 9.0.0.0