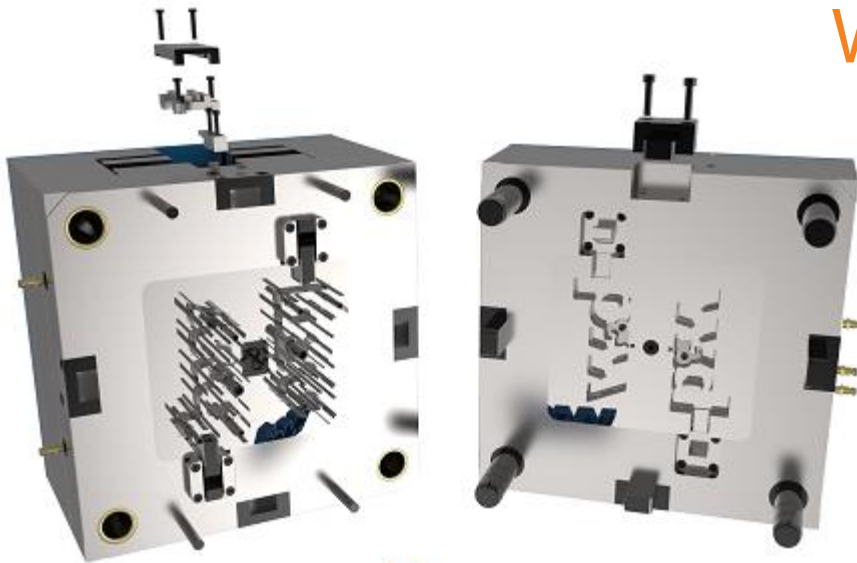


EMX 15.0.4.7

What's New?



Enhancement

New HASCO cooling components:

- Z87: Hose Nipple
- Z87VA: Hose Nipple, stainless steel
- Z9425: Sealing plug with O-Ring
- Z9425VA: Sealing plug with O-Ring, stainless steel
- ZI81: Hose Nipple, Open Flow, USA

Enhancement


- Implement new config option BOM_ALLOW_EDIT_PROJECT_PARAMS to allow manual editing of project parameters in BOM

Default Value is: NO

Behavior NO:

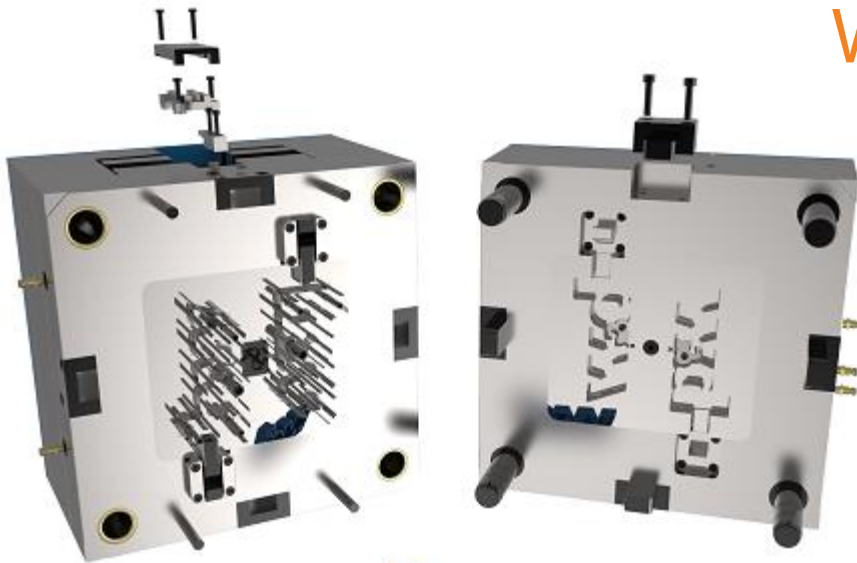
- Project parameters are disabled in Bill of Materials List.
- Value can not be edited
- Value is always overwritten from top assembly

Behavior YES:

- Project parameter can be edited in Bill of Materials
 - Value needs to be unlocked in BOM
- 
- Decorative curved lines in the bottom right corner, consisting of a thick grey arc and a thin orange arc.

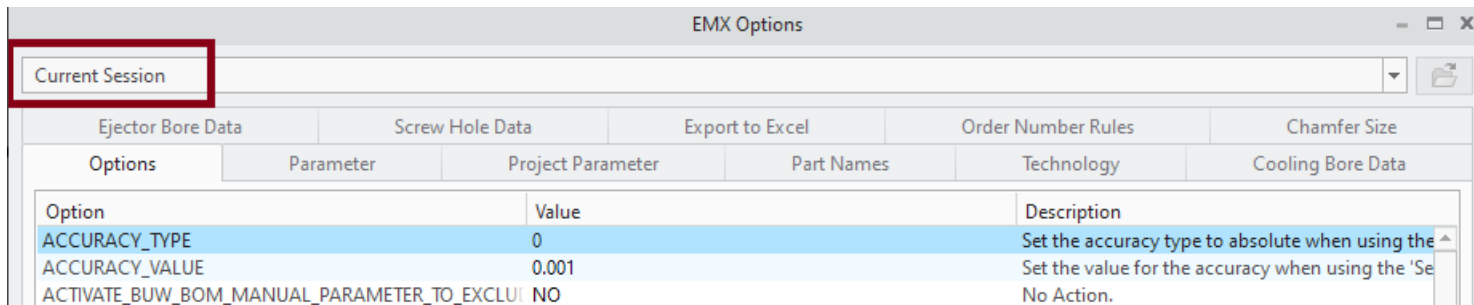
EMX 15.0.4.6

What's New?



Enhancement

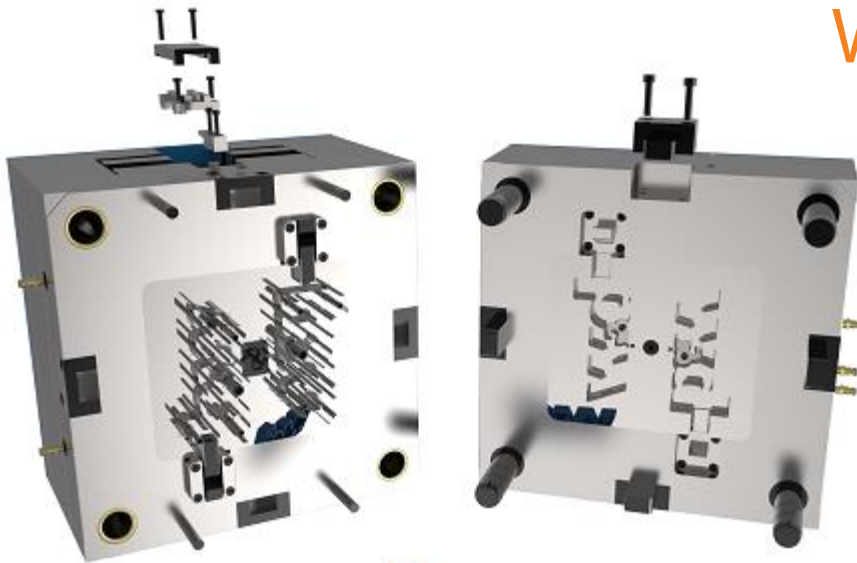
- Introduce functionality to save configuration to current session only. “Current Session” can be selected in Options Dialog from option menu



- Several minor fixes and internal improvements

EMX 15.0.4.5

What's New?

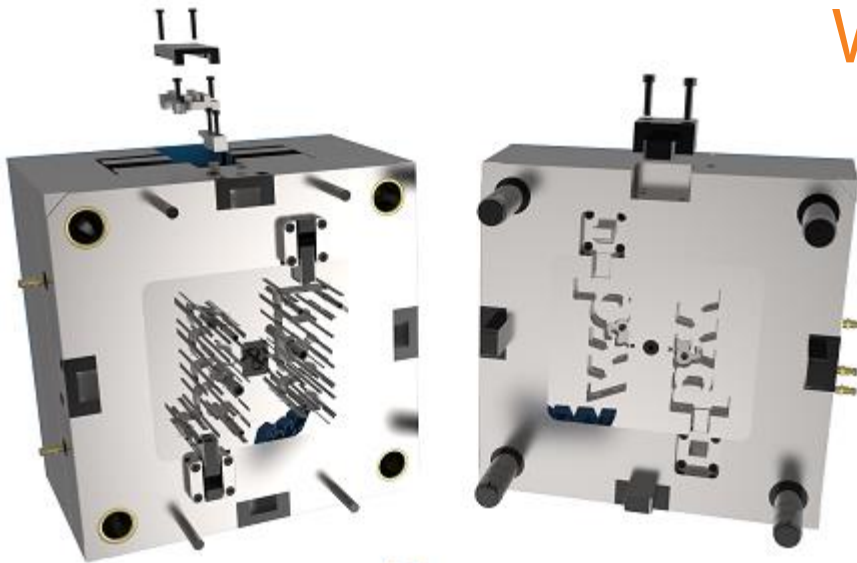


Enhancement

- Update Smart Holechart to Version 15.0.0.4
- Allow flexible items for guide components
- Several minor fixes and internal improvements

EMX 15.0.4.3

What's New?

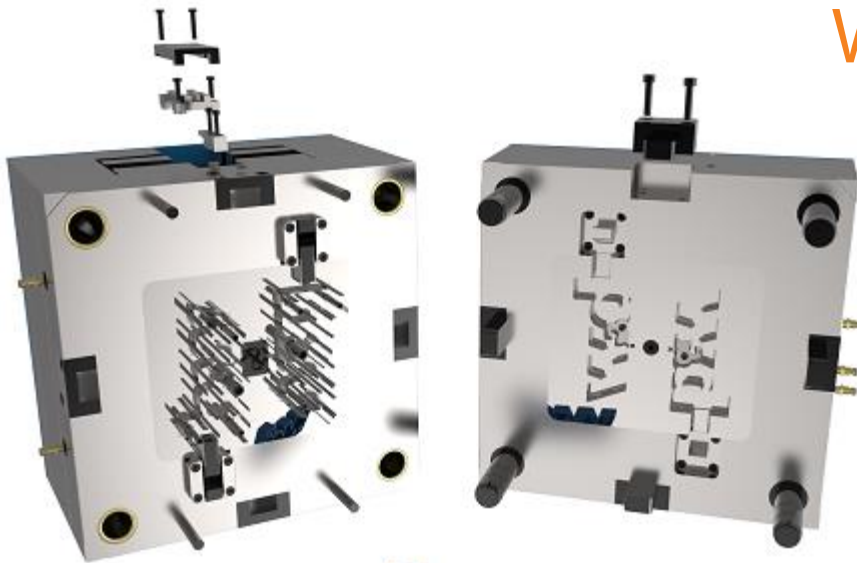


Enhancement

- Update existing MEUSBURGER components to state April 2024
- Enhancements for Engraved Texts for ejector pins:
 - New Options EJP_ENGRAVED_TEXT_TYPE: Sketch can be created as contour or middle line.
 - Parameter defined in PARAM_EJP_ENGRAVED_TEXT will only be created at ejector pin models.

EMX 15.0.4.0

What's New?

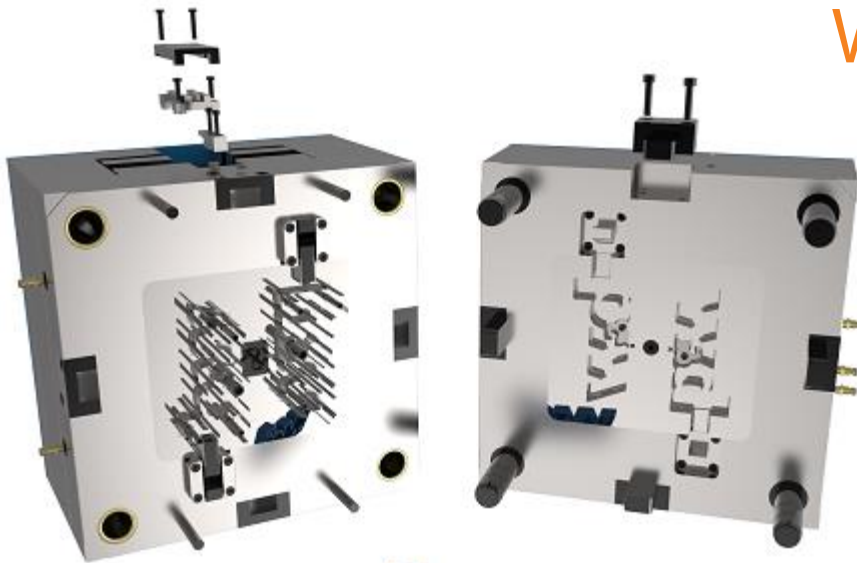


Enhancement

- Update SmartHolechart to version 15.0.0.3

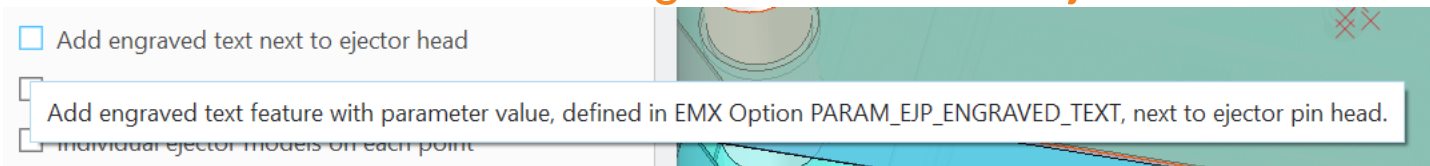
EMX 15.0.3.12

What's New?



Enhancement

New Feature: Assemble engraved texts for Ejector Pins



- New Option in Ejector Dialog: *Add engraved text next to ejector head*
- Text feature will be created in ejector model on head surface and next to head cutout UDF in plate.
- Text is controlled by relation and driven by a part parameter
- Part parameter must be defined with new Configuration Option *PARAM_EJP_ENGRAVED_TEXT* otherwise option in ejector dialog is disabled.
- New config file: *engraved_text_heights.cfg* to define valid text heights

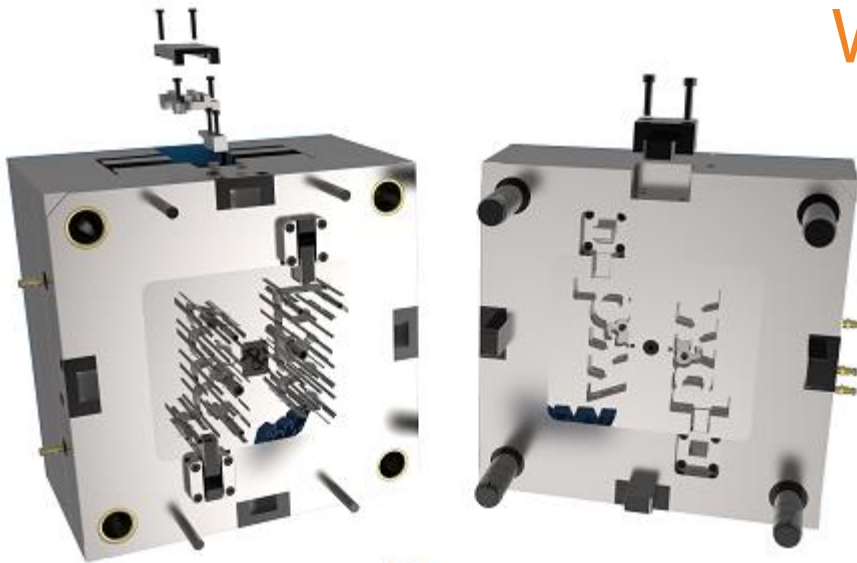


Enhancement

- Update existing HASCO components to state April 2024
- Update existing KNARR components to state April 2024
- Improve performance of additional chamfer creation in case of multiple point features.

EMX 15.0.3.11

What's New?

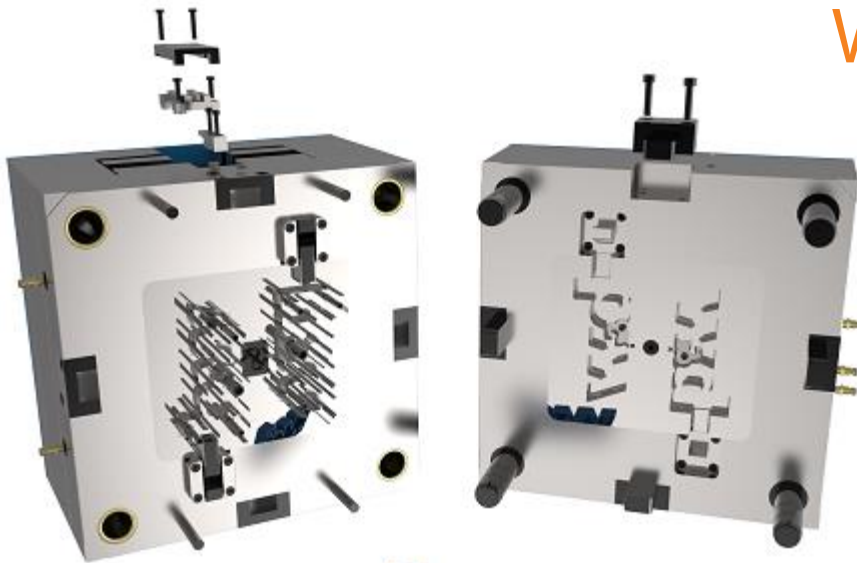


Enhancement

- Update existing Meusburger components to state January 2024

EMX 15.0.3.10

What's New?



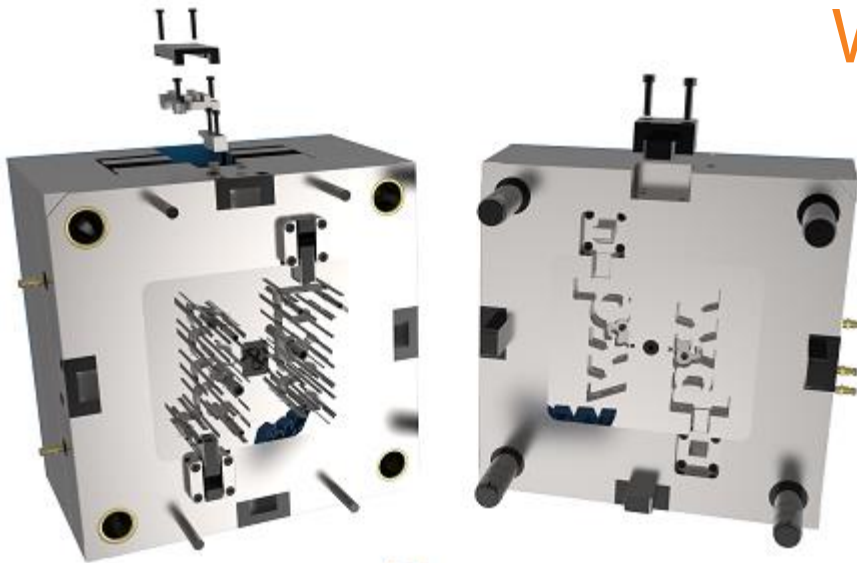
Enhancement

- New Stäubli CBX and CBI connectors for Hydraulics
- Improved Stäubli RMI and CBI connectors in cooling
- Overall improved functionality: Selectable option sealing and BF

- New Knarr Eyebolt screw 40811

EMX 15.0.3.9

What's New?



Enhancement

- New HASCO components:
 - Guide component: Z1300
 - Ejector Pins: DLC shouldered Z4430, cylindrical air-ventilated pin Z401
 - Top Interlocks: Cubic interlocks Z060 and Z080, spacer plate Z081.
 - Side Interlocks: Z085.
 - Attachment components: Flange Z167, Cycle Counters A5730, A5730HT, A57300, A57300HT, A5731, A5732
- Existing HASCO components updated to state of Summer 2023

Enhancement

- Component Editor: Enhanced functionality to edit subcomponent instances
 → Library Assemblies can be now fully defined in Component Editor.

Component Editor

BOM Data | Assembly References | Instances | Nominal Dimensions | Options | Features | UDFs | Subcomponents

Subcomponents: SIDEITLK_E1308

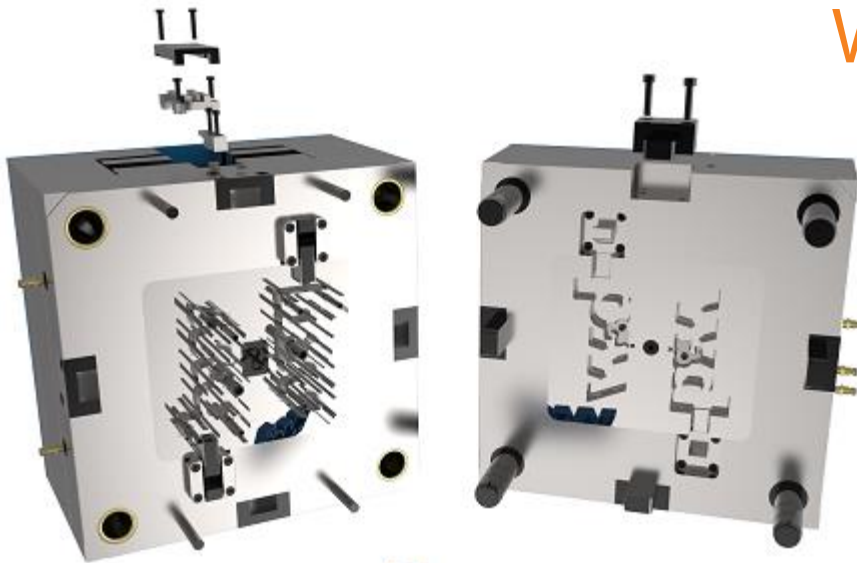
Type				SCR_LENGTH	SCR_DIA	Instances
1	SIDEITLK_E1308	SIDEITLK_E1308	1	SIDEITLK_E13082	6	3
2	SIDEITLK_E1308	46			12	6
3	SIDEITLK_E1308	50	E13081_50	E13082_50	16	6
4	SIDEITLK_E1308	60	E13081_60	E13082_60	20	8
5	SIDEITLK_E1308	76	E13081_76	E13082_70	25	8

Select subcomponent to edit instances

In case subcomponents exists selected from option menu.

EMX 15.0.3.6

What's New?

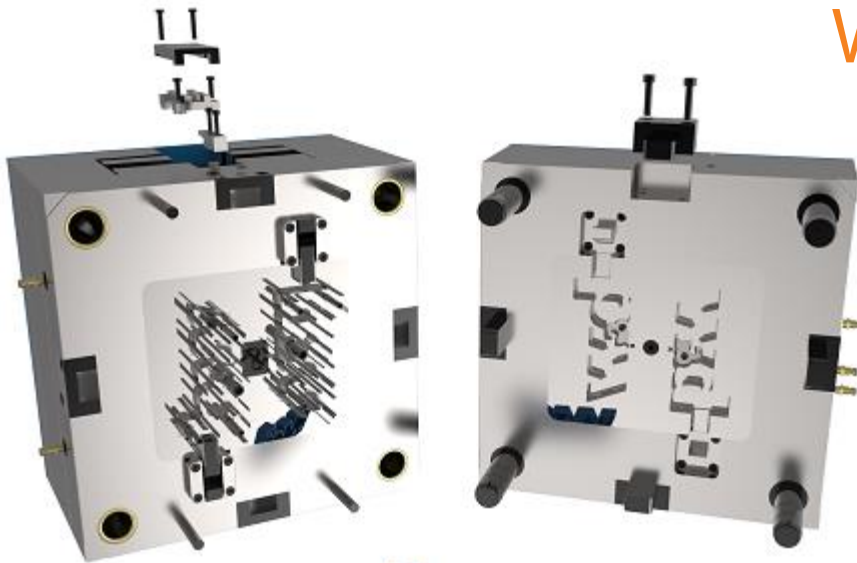


Enhancement

- Meusburger components updated to Status July 2023
- Diverse issues solved

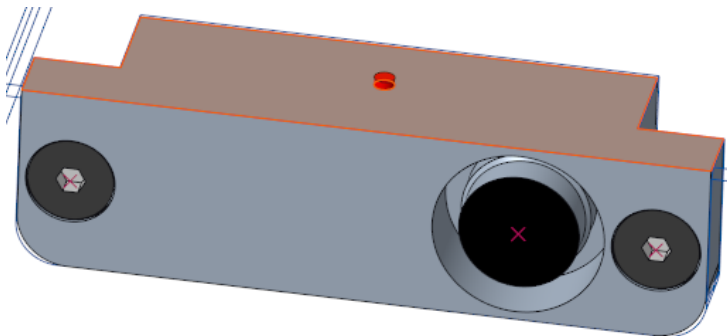
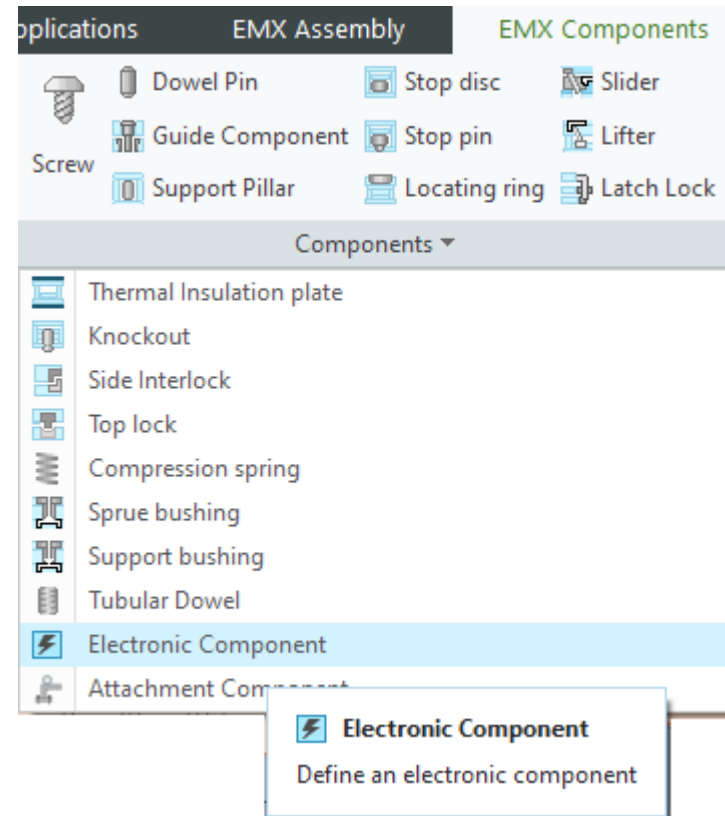
EMX 15.0.3.4

What's New?



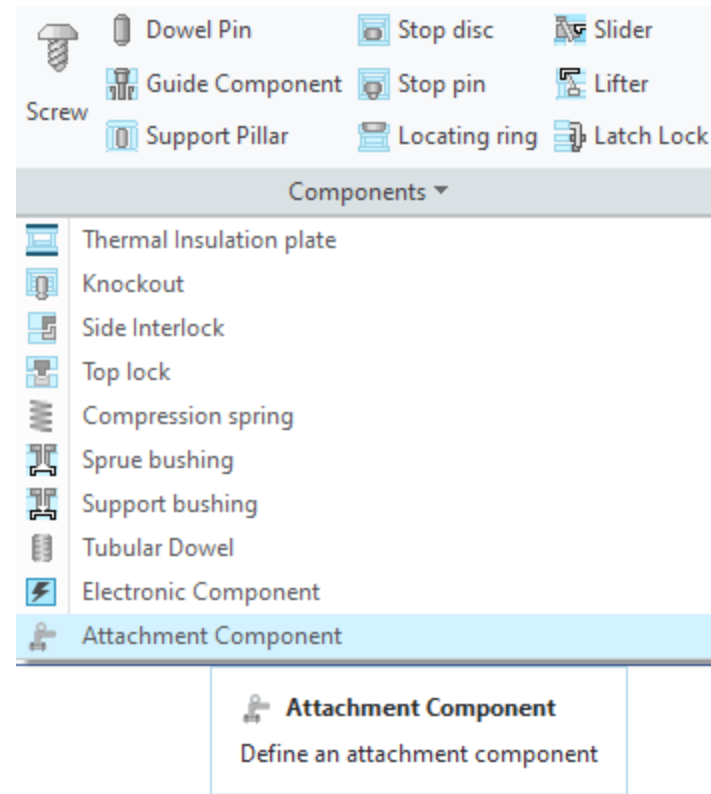
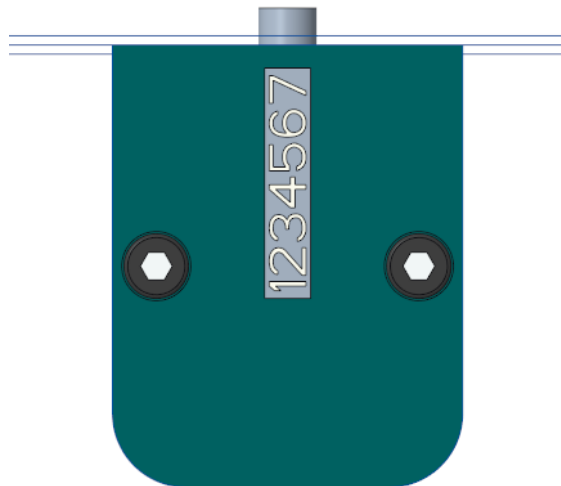
Enhancement

- New Component Type: **Electronic Components**
- **KNARR:** 807600, 807600-2, 807700, 807700-2, 807650, 808600, 808600-2, 808700, 808700-2, 808650, 807600-4, 808600-4
- **MEUSBURGER:** E6500, E65005, E6502, E65025, E6504, E6505, E65055, E6507, E65075, E6509
- **STRACK:** Z7600, Z7600-2, Z7600-4



Enhancement

- New Component Type: **Attachment Components**
- **MEUSBURGER** limit switches:
E6500, E65005, E6502, E65025,
E6504, E6505
- **MEUSBURGER** transport bridge
E1930
- **OPTIZ** date stamps



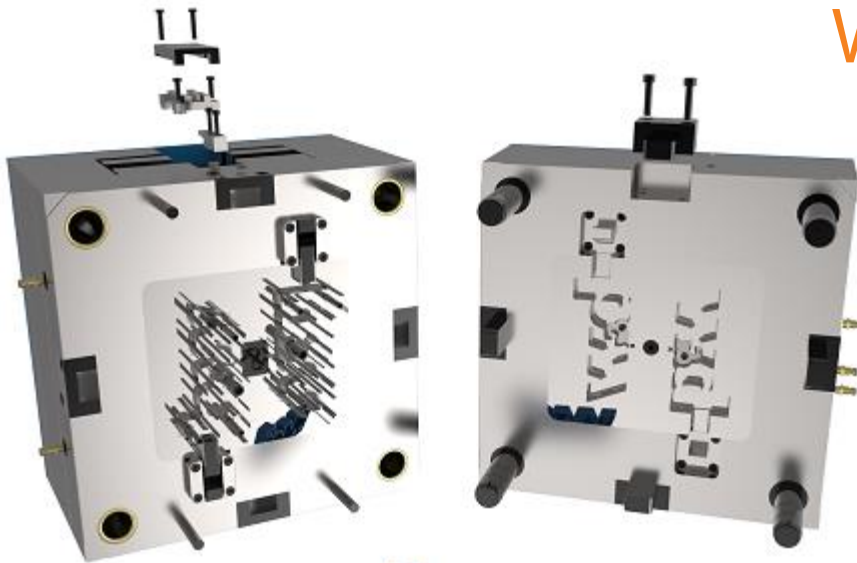
Enhancements

New components:

- New KNARR guide FreeLub 517404

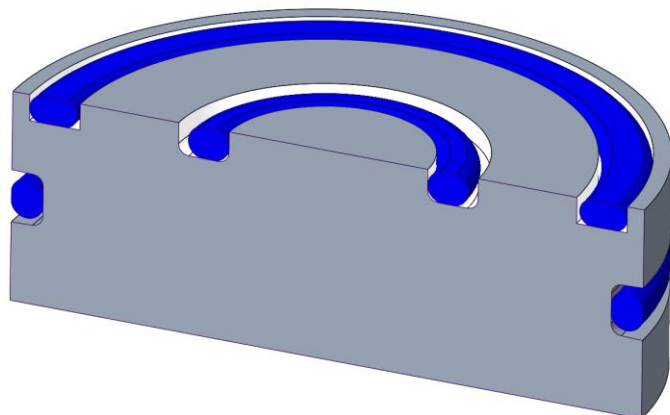
EMX 15.0.3.1

What's New?



Enhancement

- New American Standard Sealing Rings for different assembly situations
- Components are assembled as flexible models.
 - Same model can be used in different assembly scenarios.
 - Model changes width based on compressed height without changing the volume of the sealing ring.
- Inner and outer pressure and coaxial scenarios are supported.



Cooling Component

Subassembly: 123

Unit: mm inch

Supplier: as

Type: AS568_AXIAL_FKM_75 | O-Ring

Dimension Name	Value	Type
DM2 - Diameter	1.78	
DM1 - Inner Diameter	1.78	
DM_FLEX - Mounting	5.287	
W_GROOVE - W_GROC	2.4	
T_GROOVE_FLEX - Gro	1.5	
DM_RESULT - Result Di	0.487	
OFFSET - Offset	0	

Part Name: 123_AS568_004_1_78_1_78

(1) Curve|Axis|Point (2) Surface

Component options: Circular Groove Add additional chamfers to edges

Draft Cut Without Core Bore

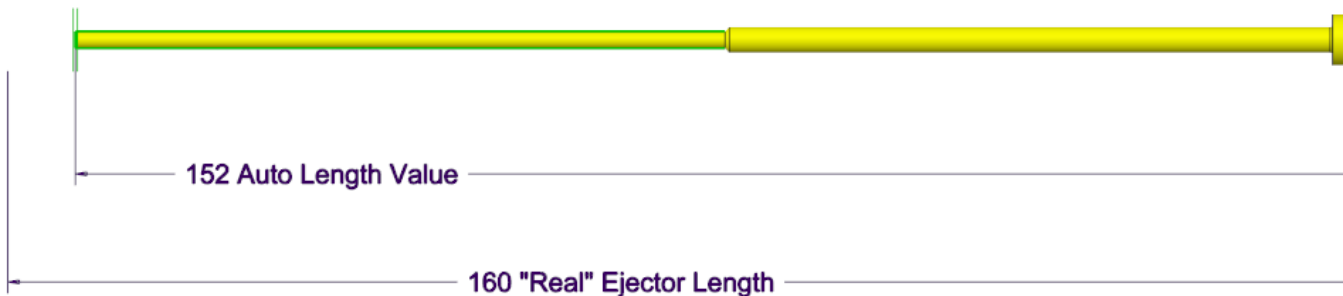
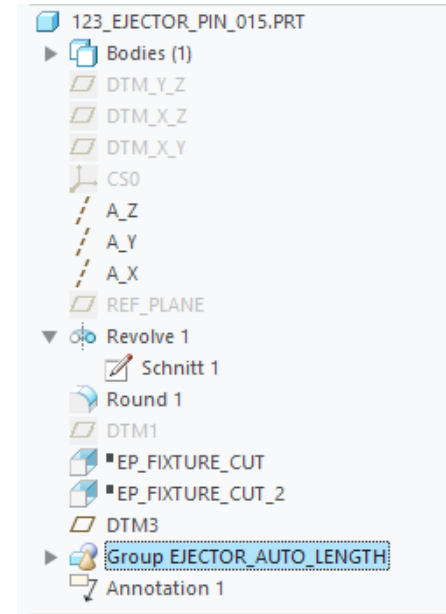
Define depth by: Use curve length

Na:	Value	Tolerances	Rule
D5	1.000		1
T5	0.000		AUTO_DEPTH
D1	5.287		DM_FLEX
T1	1.500		T_GROOVE_FLEX
D3	0.487		DM_FLEX-2*W_GROOV
A	59.000		59
TX	3.000		T_GROOVE_FLEX*2

OK Cancel

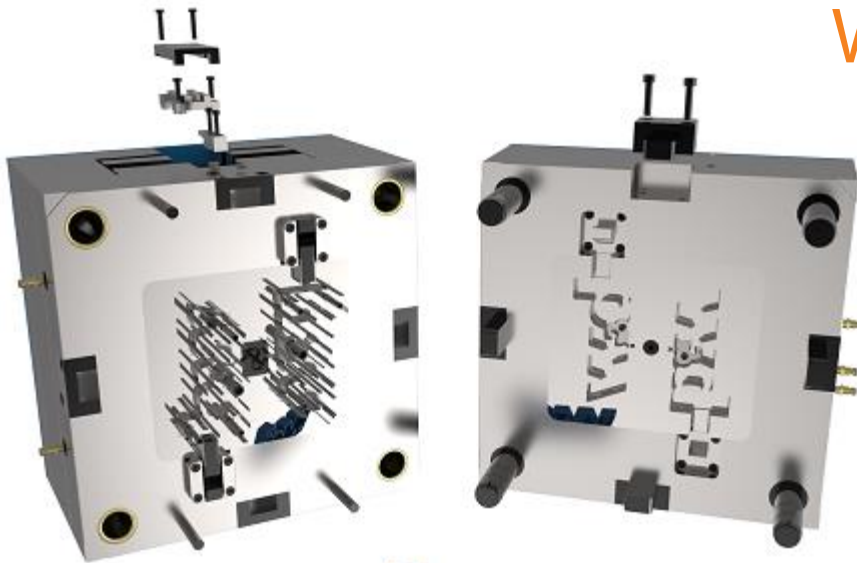
Improvements

- Improved “Trim” feature behavior for ejector pins
 - Improved “Auto Length” feature behavior for ejector pins
- Auto length feature is now created as additional feature in ejector model.
 - “Real” length of ejector model is untouched.
 - In Modify mode “Auto Length” and “Trim” feature can be unset again.



EMX 15.0.2.0

What's New?

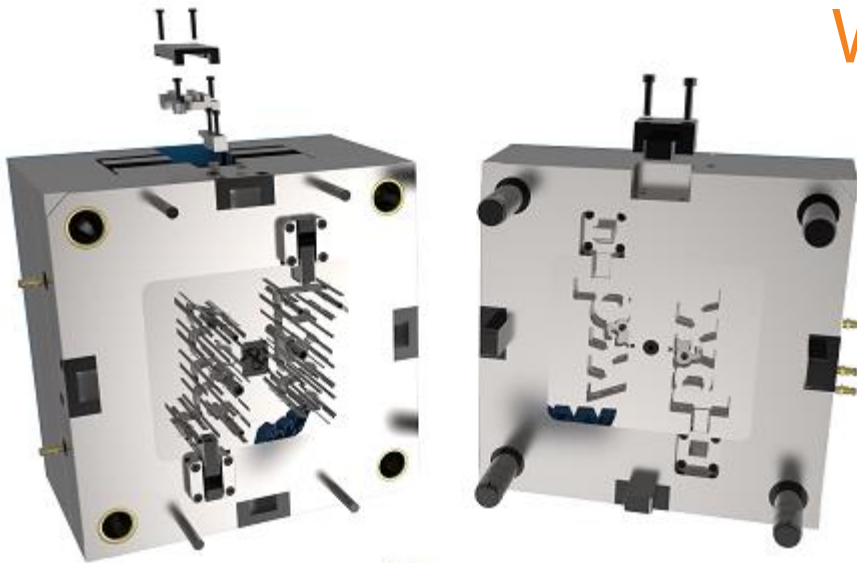


Improvements

- Add new Misumi guide components GPH and GPHL.

EMX 15.0.1.4

What's New?

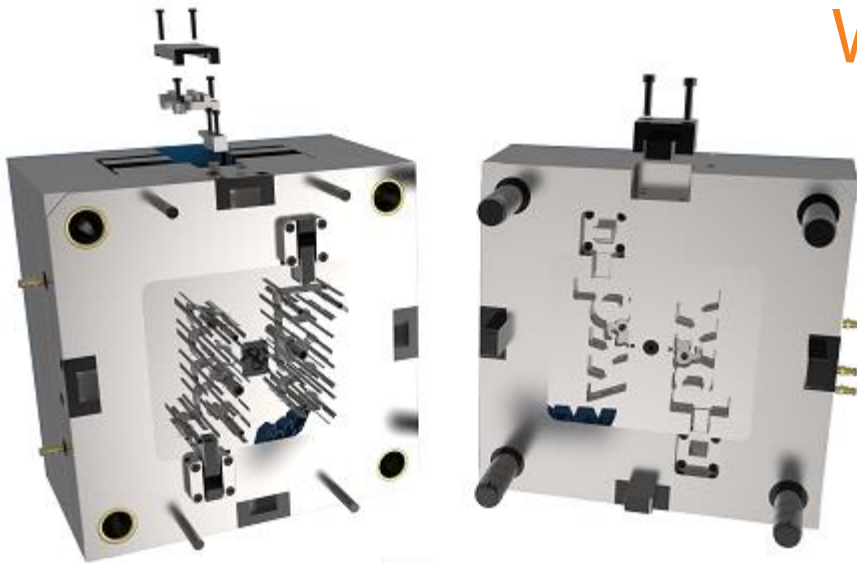


Improvements

- Improved Component Editor
 - Easily create part name rules for assemblies within dat files
 - Improved definition of instance dimensions with right mouse menu
 - etc.
- New config option EXCEL_TEMPALTE_PATH to set up default location for Bill of Material Excel template file

EMX 15.0.0.0

What's New?



Enhancements

Compatible with new Creo 9.0.0.0