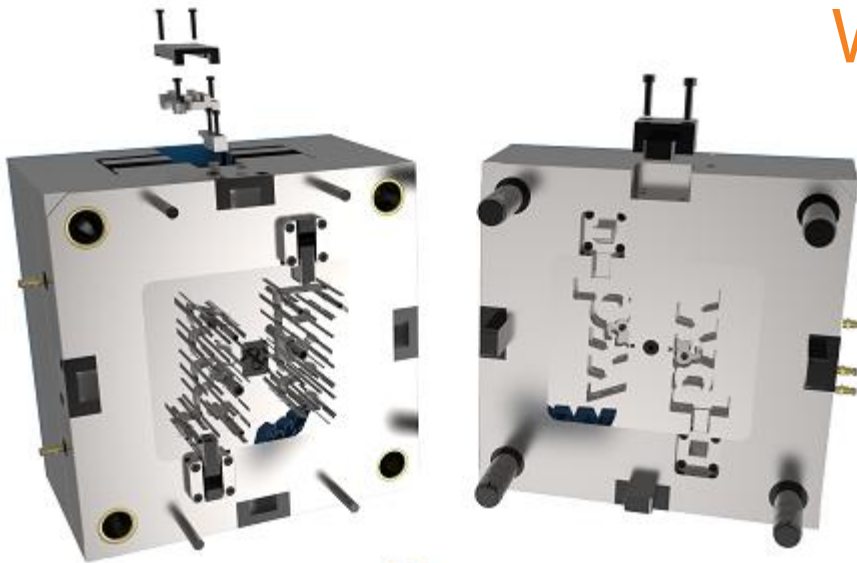


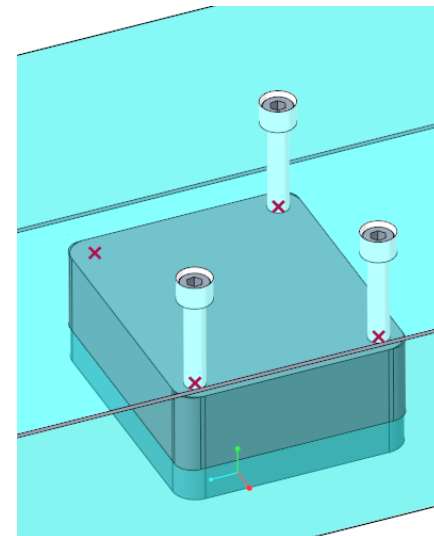
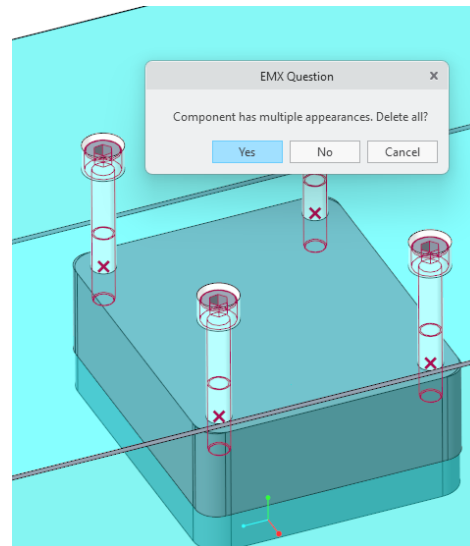
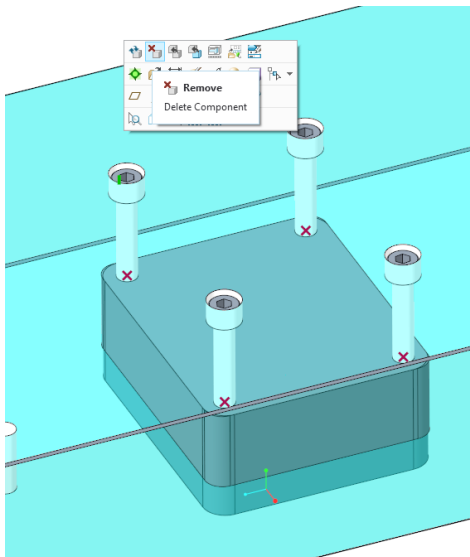
# EMX 15.0.5.2

What's New?



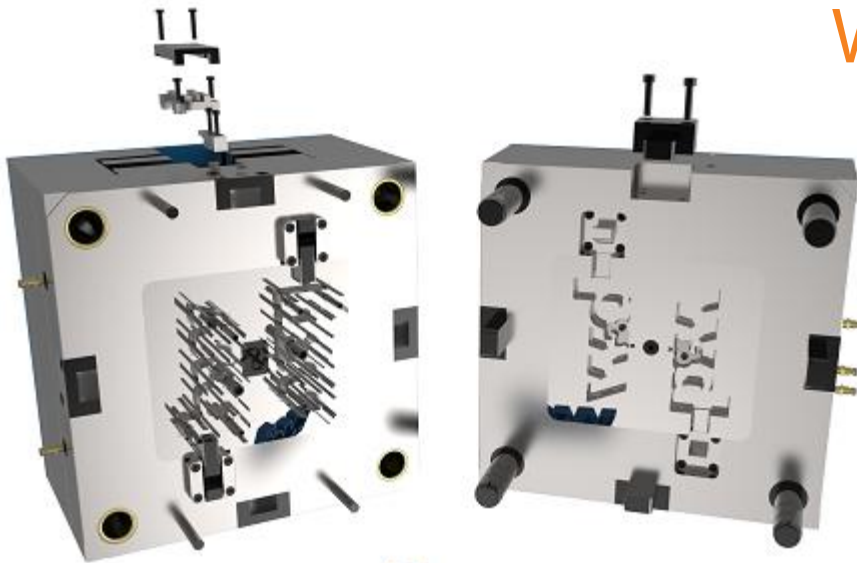
# Enhancement

- Component Handling: Implement solution to delete only one component in case it was assemble multiple times.
- Situation: In case a component as create multiple times with “Reassemble component” or defined on a multiple point feature
  - Previous behavior: All components are deleted always
  - New behavior: It is possible to deleted only the selected instance
    - Delete all? No! → Only selected instances



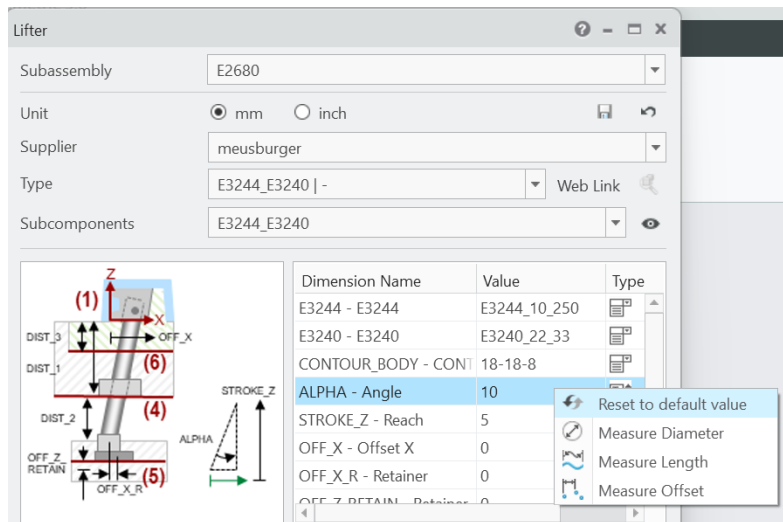
# EMX 15.0.5.1

What's New?

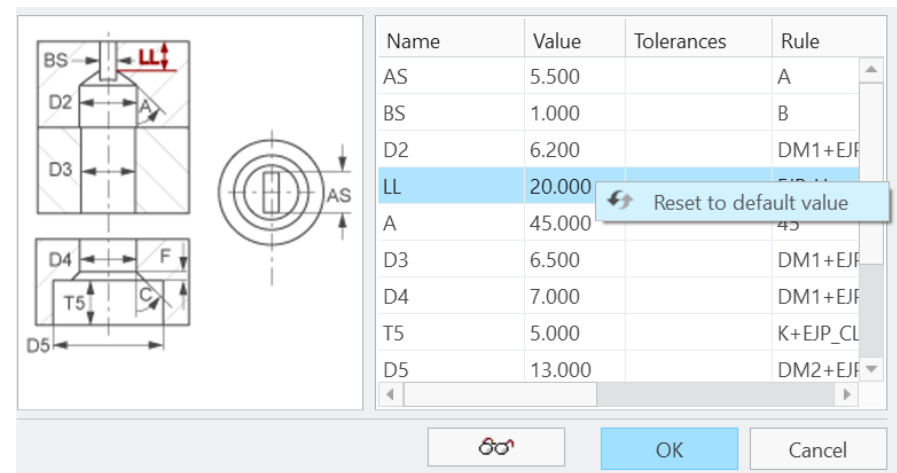


# Enhancement

- Component Dialog: Add right mouse button in nominal values and udf dimension table to set back manually edited values to default in edit fields and spin boxes.



Nominal Value Table



UDF Dimensions Table

# Enhancement

- Component Editor: Add additional push buttons to component editor besides buttons on right mouse menu to improve usability.
  - Right-Mouse buttons still exist.

Type	Remove rows	B	LG	LG1	S	M	
1	E2680	0	20	32	16	8.1	M5
2	E2680	0	20	32	16	10.1	M5
3	E2680	0	20	32	16	12.1	M5
4	E2680	0	20	40	24	8.1	M5
5	E2680	0	20	40	24	10.1	M5
6	E2680	0	20	40	24	12.1	M5
7	E2680	0	20	64	40	8.1	M5
8	E2680	0	20	64	40	10.1	M5
9	E2680	0	20	64	40	12.1	M5
10	E2680	0	25	32	16	8.1	M5
11	E2680	0	25	32	16	10.1	M5
12	E2680	0	25	32	16	12.1	M5

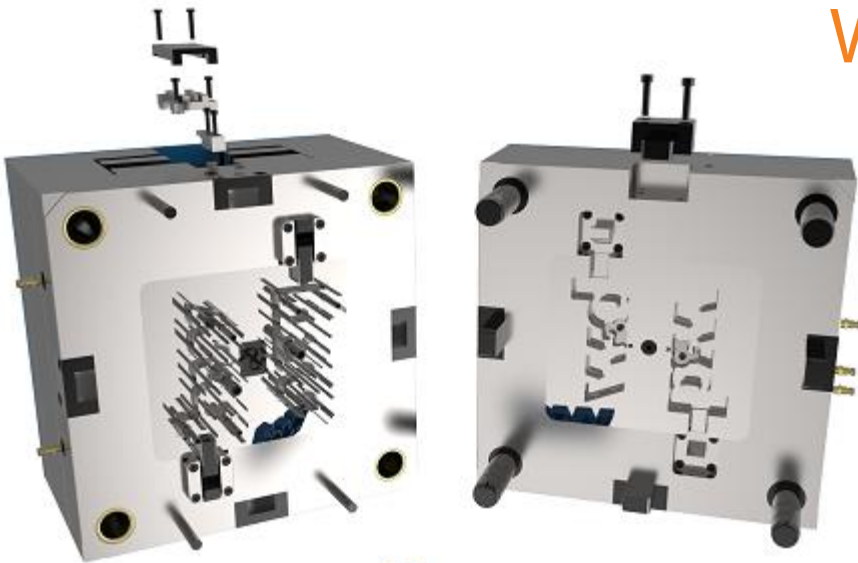
# Improvements

---

- Update existing Meusburger components to version 6.2.13.0
- Facelift for Wema and Ermanno Balzi cooling components.  
→ Improve images and models
- “Remove all Ejector Pins” should not delete the return pin.
- Component Editor: Cut quilt can be selected from feature in model tree and not only from model in graphic window.

# EMX 15.0.5.0

What's New?



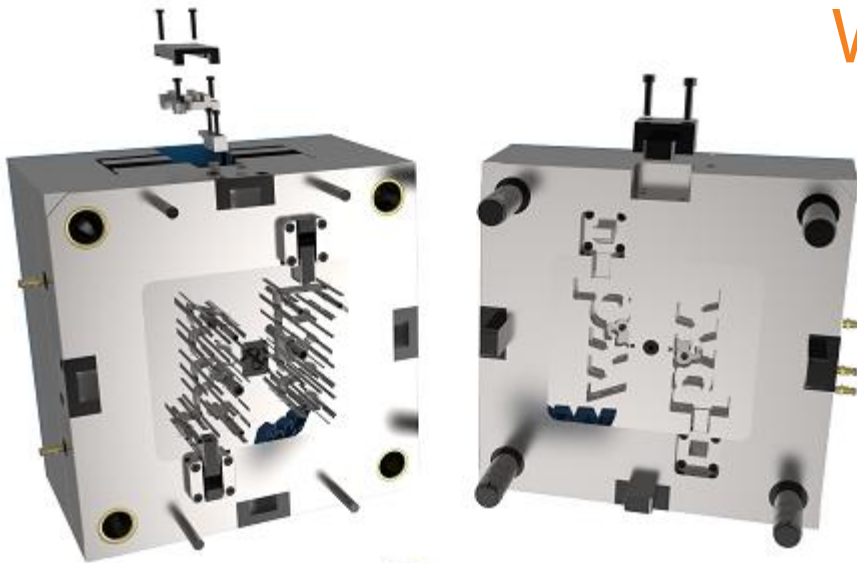
# Enhancement

---

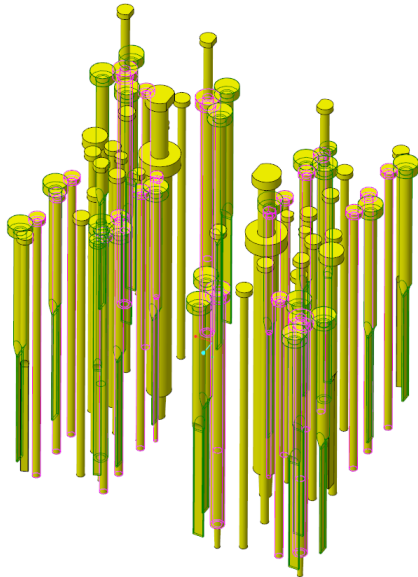
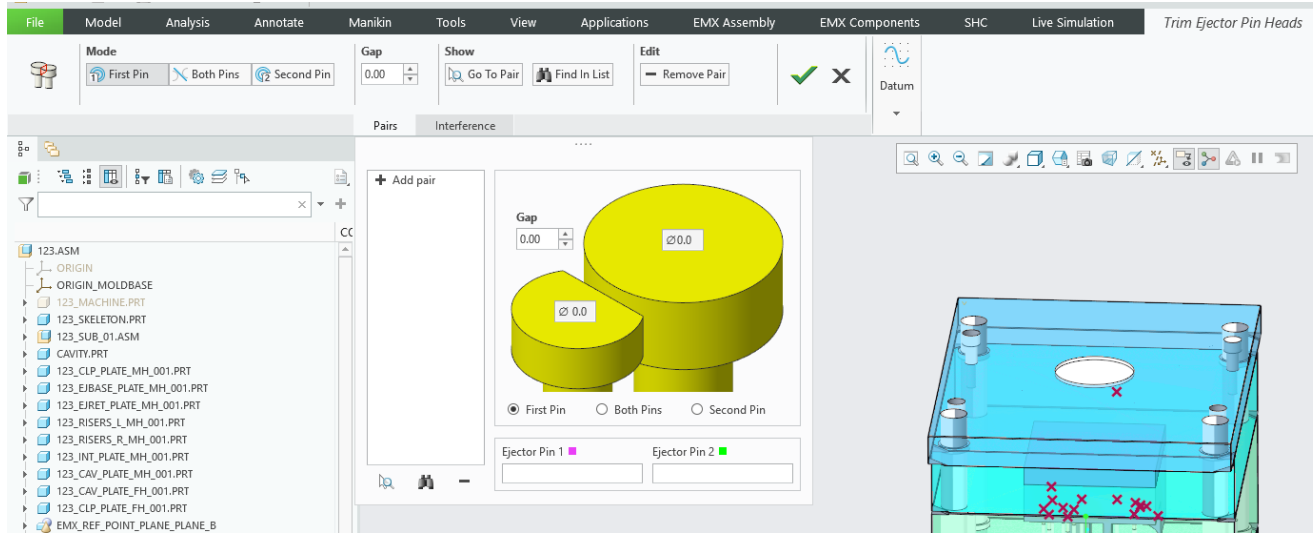
- Configuration option EJP\_ENGRAVED\_TEXT\_SKETCH\_TYPE:  
Add additional selectable options to suppress the solid text cutout and only show curves:
  - a) contour\_curve\_text\_only
  - b) middleline\_curve\_text\_only
- Implement HASCO cooling components Z814, Z878, Z8190, Z8190HT, Z8190HT-VA
- Implement KNARR ejector pins with ventilation 300133, 300133 DLC, 300533, 300533

# EMX 15.0.4.9

What's New?



# Enhancement



- Enhanced Trim Ejector Pin Heads capabilities
  - New Dashboard
  - Different trim shapes
  - Add and remove trim pairs
  - Manage existing pairs in list
  - Highlight pairs in 3D view

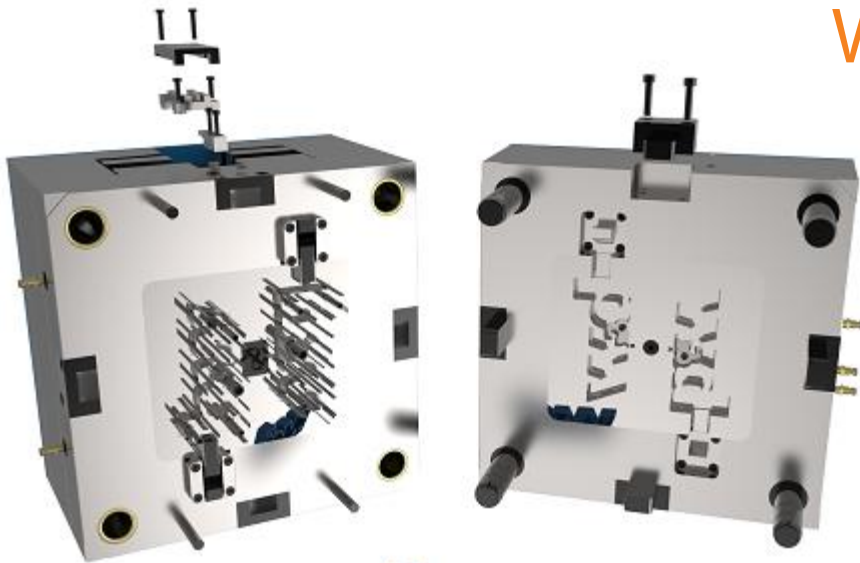
# Enhancement

---

- Library components and related cutouts can be considered in Extract Fluid circuits command, in case parameter BELONGS\_TO\_WATERLINE=„YES“ exists at model.
- New Meusburger cooling components E2016, E20169, E20259, E2020HT, E2020 D and E20209HT
- Update all existing Meusburger components to state 6.2.11.0
- Improve performance of Excel export

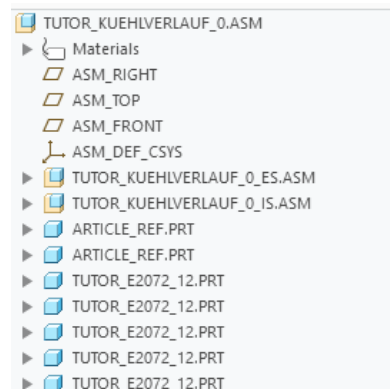
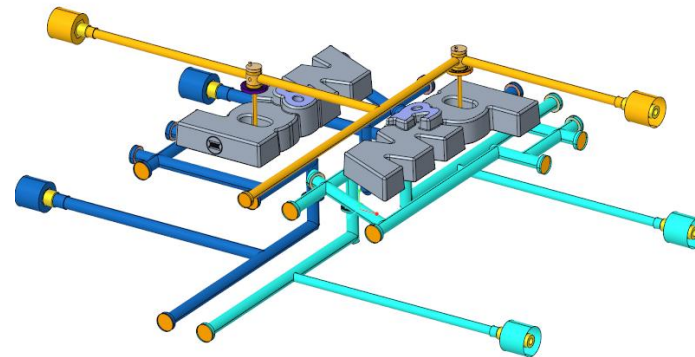
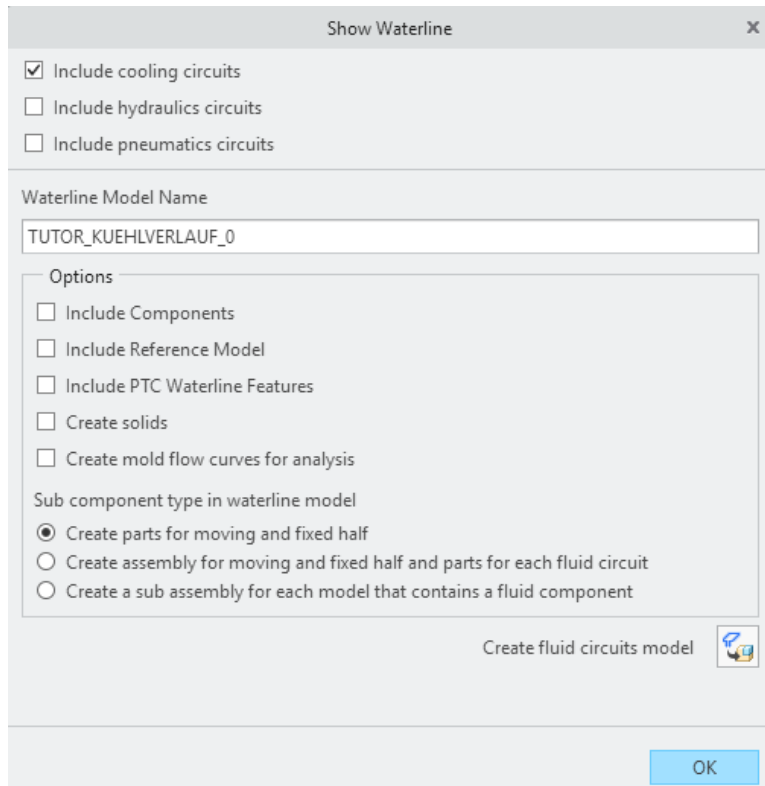
# EMX 15.0.4.8

What's New?



# Enhancement

- Improve the Extract fluid circuit functionality
  1. Improve algorithm to detect related fluid bores
  2. Implement new radio group with option to assemble a subassembly for fixed and moving half, but also a part for each cooling circuit
  3. Use progress bar to avoid freezing of Creo window



# Enhancement

- Implement solution to directly use measured values from Tiny Measure Tools in nominal values of component dialog
  - Select dimension in nominal values table
  - Open Tiny Measure Tools with Right Mouse Click
  - Measure diameter, length or offset
  - Best fit value will be used in nominal value table

Dimension Name	Value	Type
DM1 - Diameter	0.4	
LG - Length	100	
OFFSET - Offset	0	
REF_ANGLE - Angle	0	
REF1 - Reference Dista	56.000	

EMX Question


Measured diameter: 4.500  
The best fit value in the option menu is: 4.5

Use the best fit result in nominal value?

Dimension Name	Value	Type
DM1 - Diameter	4.5	
LG - Length	100	
OFFSET - Offset	0	
REF_ANGLE - Angle	0	
REF1 - Reference Dista	56.000	

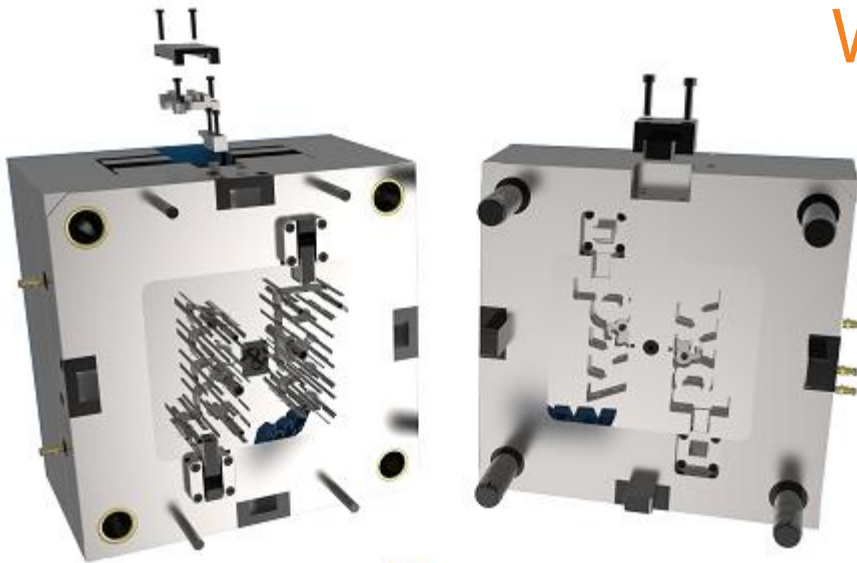
# Enhancement

---

- Update SmartHolechart to Version 15.0.0.5
  - New Components Meusburger Guide E1332 and E1146
  - Implement new cooling O-rings from new suppliers Hagenauer and Arcus
  - Add Ermanno Balzi cooling component TR, TRI, RF, RFP, RL, RLS
- 
- Decorative curved lines in the bottom right corner of the slide, consisting of a thick grey curve and a thin orange curve.

# EMX 15.0.4.7

What's New?



# Enhancement

---

New HASCO cooling components:

- Z87: Hose Nipple
- Z87VA: Hose Nipple, stainless steel
- Z9425: Sealing plug with O-Ring
- Z9425VA: Sealing plug with O-Ring, stainless steel
- ZI81: Hose Nipple, Open Flow, USA

# Enhancement

---


- Implement new config option BOM\_ALLOW\_EDIT\_PROJECT\_PARAMS to allow manual editing of project parameters in BOM

Default Value is: NO

Behavior NO:

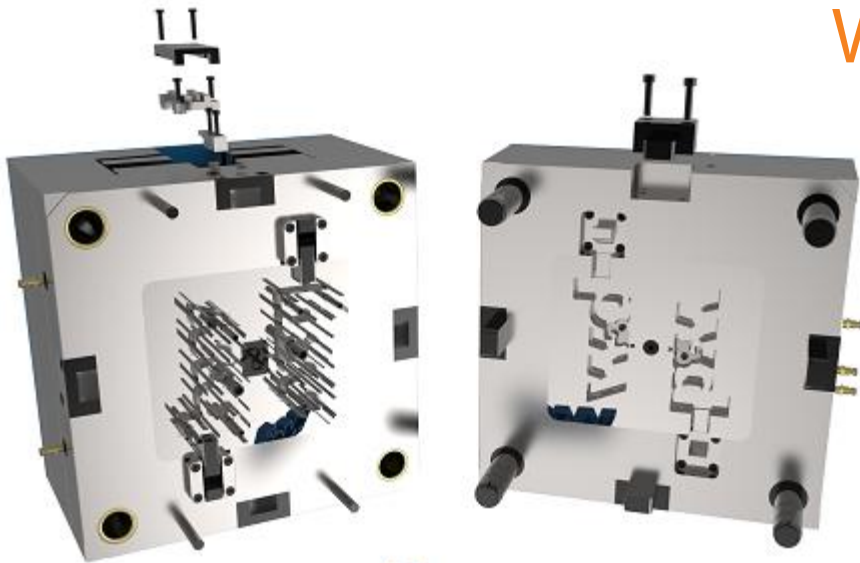
- Project parameters are disabled in Bill of Materials List.
- Value can not be edited
- Value is always overwritten from top assembly

Behavior YES:

- Project parameter can be edited in Bill of Materials
  - Value needs to be unlocked in BOM
- 
- A decorative curved line in the bottom right corner, consisting of a grey arc and an orange arc.

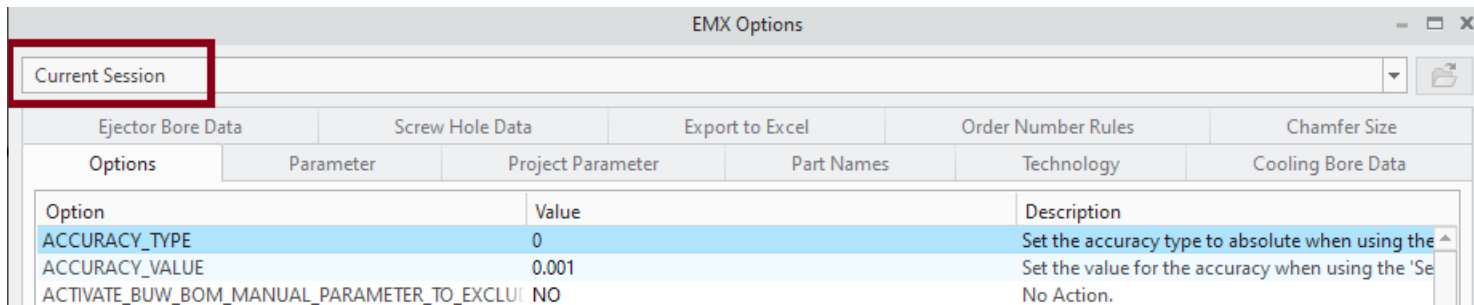
# EMX 15.0.4.6

What's New?



# Enhancement

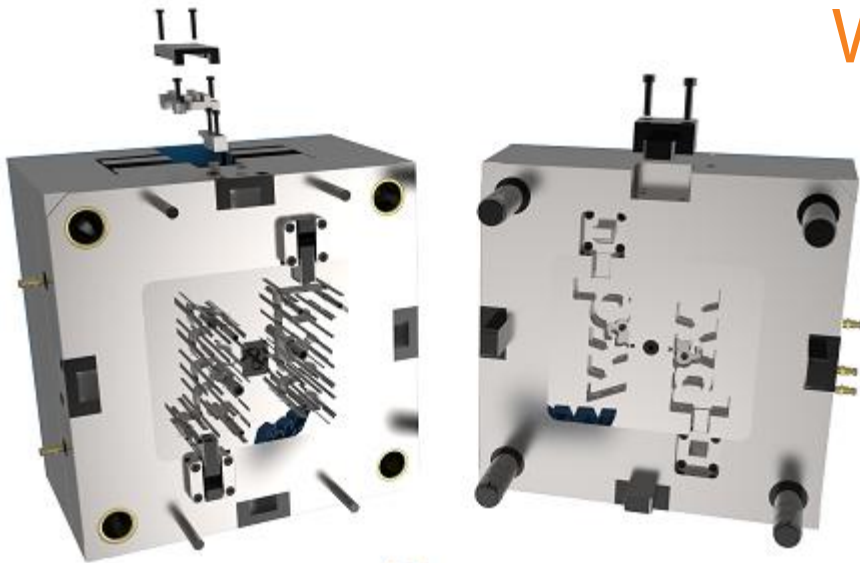
- Introduce functionality to save configuration to current session only. “Current Session” can be selected in Options Dialog from option menu



- Several minor fixes and internal improvements

# EMX 15.0.4.5

What's New?



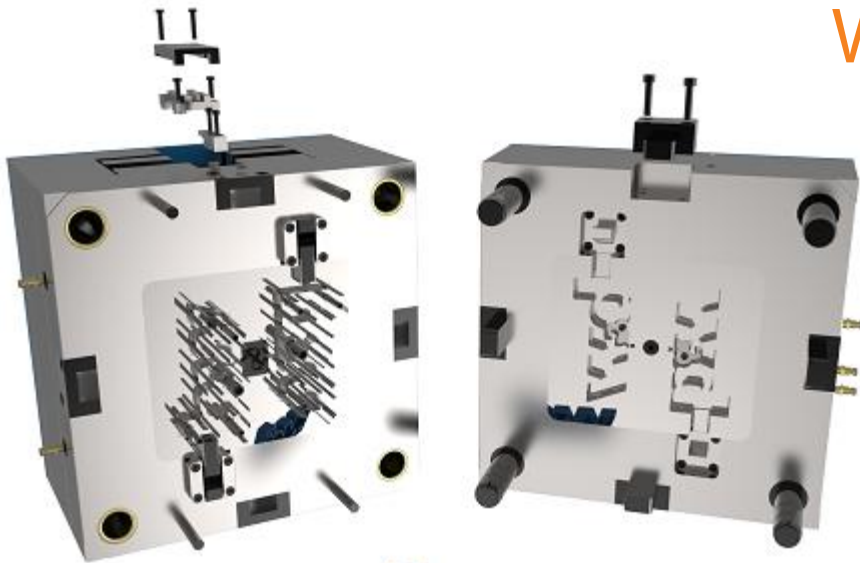
# Enhancement

---

- Update Smart Holechart to Version 15.0.0.4
- Allow flexible items for guide components
- Several minor fixes and internal improvements

# EMX 15.0.4.3

What's New?



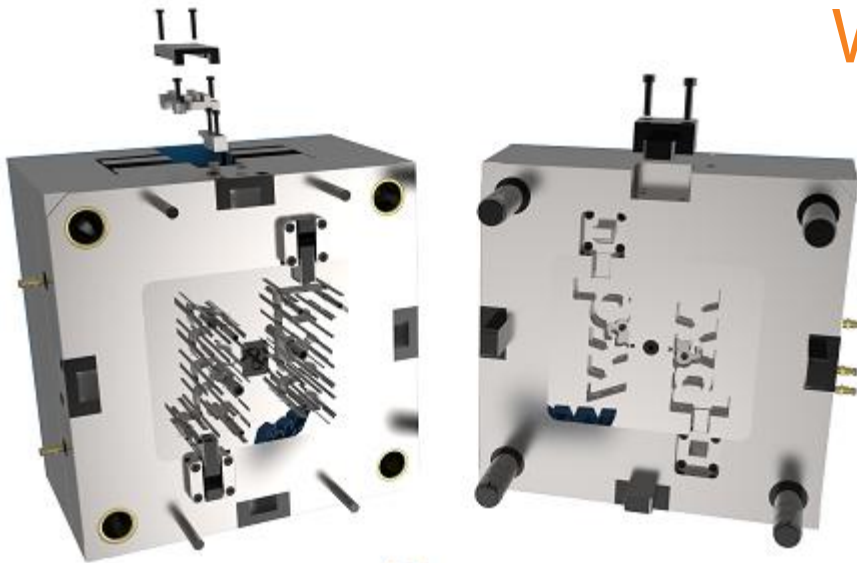
# Enhancement

---

- Update existing MEUSBURGER components to state April 2024
- Enhancements for Engraved Texts for ejector pins:
  - New Options EJP\_ENGRAVED\_TEXT\_TYPE: Sketch can be created as contour or middle line.
  - Parameter defined in PARAM\_EJP\_ENGRAVED\_TEXT will only be created at ejector pin models.

# EMX 15.0.4.0

What's New?



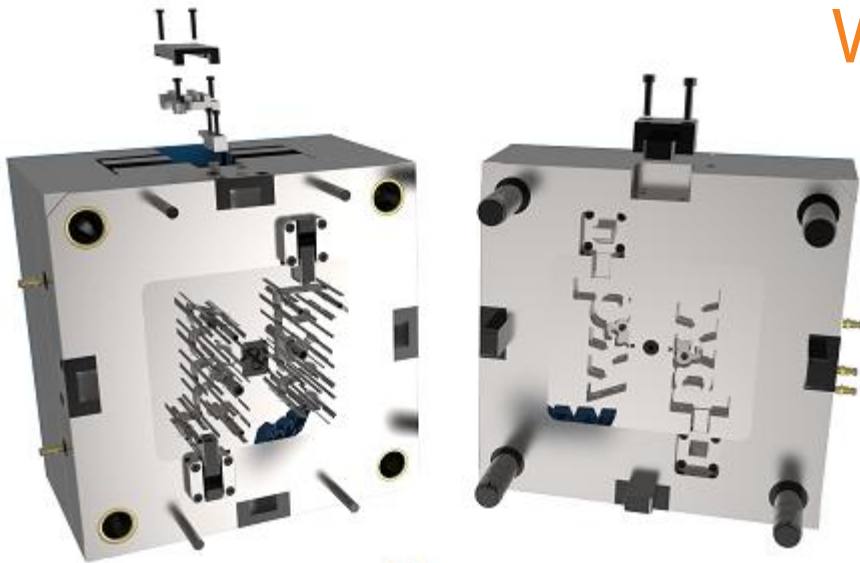
# Enhancement

---

- Update SmartHolechart to version 15.0.0.3

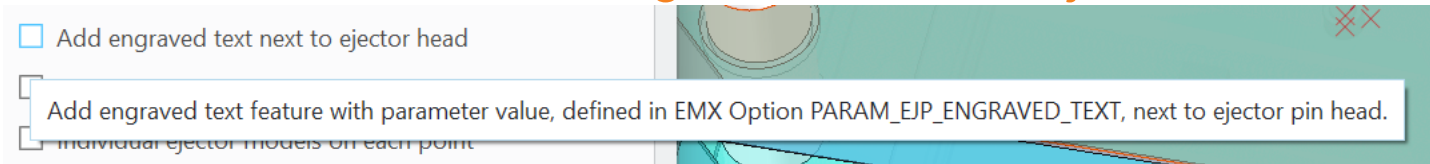
# EMX 15.0.3.12

What's New?



# Enhancement

## New Feature: Assemble engraved texts for Ejector Pins



- New Option in Ejector Dialog: *Add engraved text next to ejector head*
- Text feature will be created in ejector model on head surface and next to head cutout UDF in plate.
- Text is controlled by relation and driven by a part parameter
- Part parameter must be defined with new Configuration Option *PARAM\_EJP\_ENGRAVED\_TEXT* otherwise option in ejector dialog is disabled.
- New config file: *engraved\_text\_heights.cfg* to define valid text heights



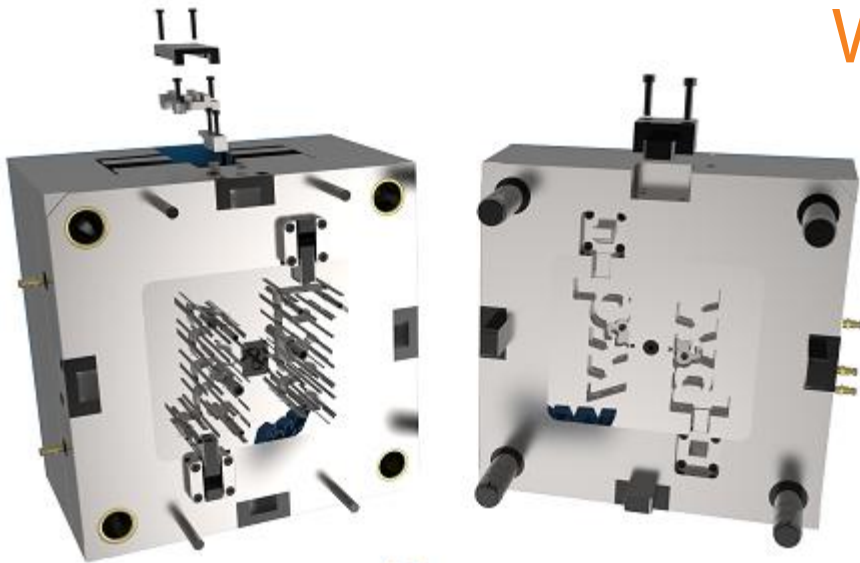
# Enhancement

---

- Update existing HASCO components to state April 2024
- Update existing KNARR components to state April 2024
- Improve performance of additional chamfer creation in case of multiple point features.

# EMX 15.0.3.11

What's New?



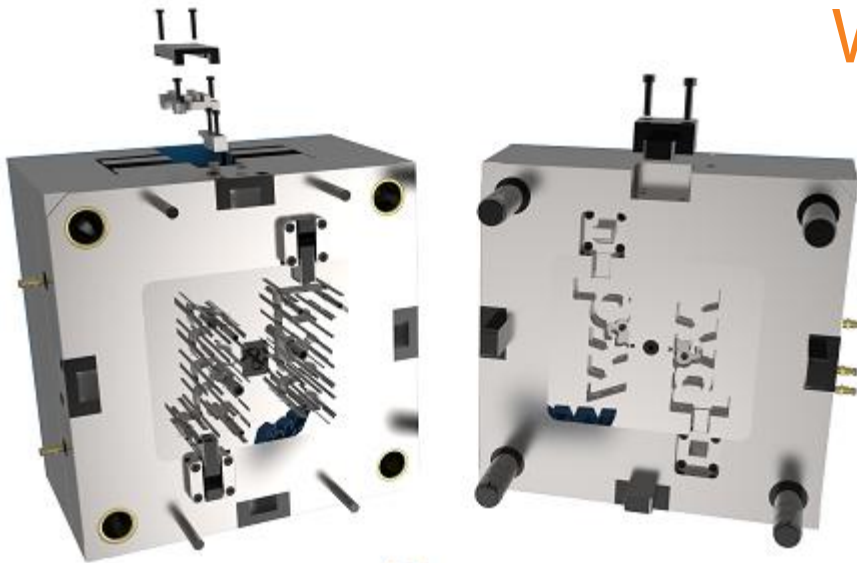
# Enhancement

---

- Update existing Meusburger components to state January 2024

# EMX 15.0.3.10

What's New?



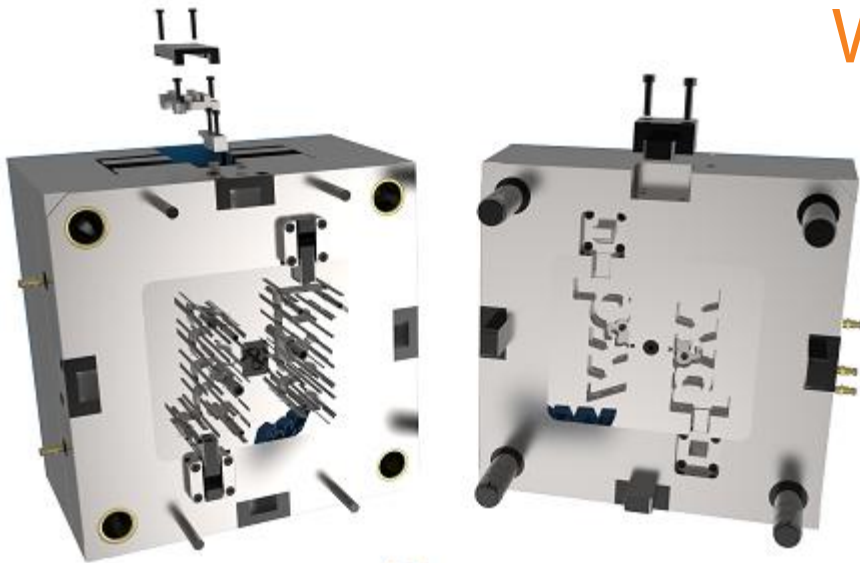
# Enhancement

---

- New Stäubli CBX and CBI connectors for Hydraulics
- Improved Stäubli RMI and CBI connectors in cooling
- Overall improved functionality: Selectable option sealing and BF
  
- New Knarr Eyebolt screw 40811

# EMX 15.0.3.9

What's New?



# Enhancement

---

- New HASCO components:
  - Guide component: Z1300
  - Ejector Pins: DLC shouldered Z4430, cylindrical air-ventilated pin Z401
  - Top Interlocks: Cubic interlocks Z060 and Z080, spacer plate Z081.
  - Side Interlocks: Z085.
  - Attachment components: Flange Z167, Cycle Counters A5730, A5730HT, A57300, A57300HT, A5731, A5732
- Existing HASCO components updated to state of Summer 2023

# Enhancement

- Component Editor: Enhanced functionality to edit subcomponent instances  
 → Library Assemblies can be now fully defined in Component Editor.

Component Editor

BOM Data | Assembly References | Instances | Nominal Dimensions | Options | Features | UDFs | Subcomponents

Subcomponents: SIDEITLK\_E1308

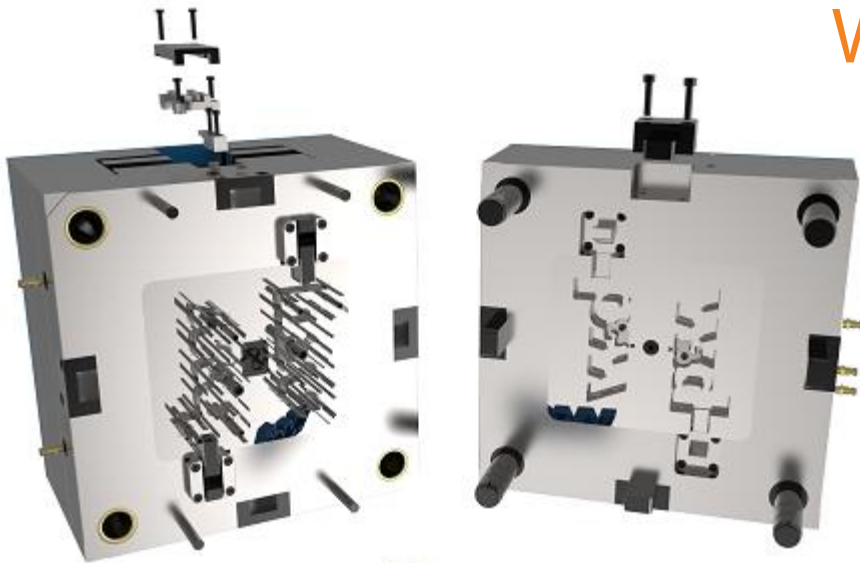
Type				SCR_LENGTH	SCR_DIA	Instances
1	SIDEITLK_E1308	SIDEITLK_E1308	1	SIDEITLK_E13082	6	3
2	SIDEITLK_E1308	46			12	6
3	SIDEITLK_E1308	50	E13081_50	E13082_50	16	6
4	SIDEITLK_E1308	60	E13081_60	E13082_60	20	8
5	SIDEITLK_E1308	76	E13081_76	E13082_70	25	8

Select subcomponent to edit instances

In case subcomponents exists selected from option menu.

# EMX 15.0.3.6

What's New?



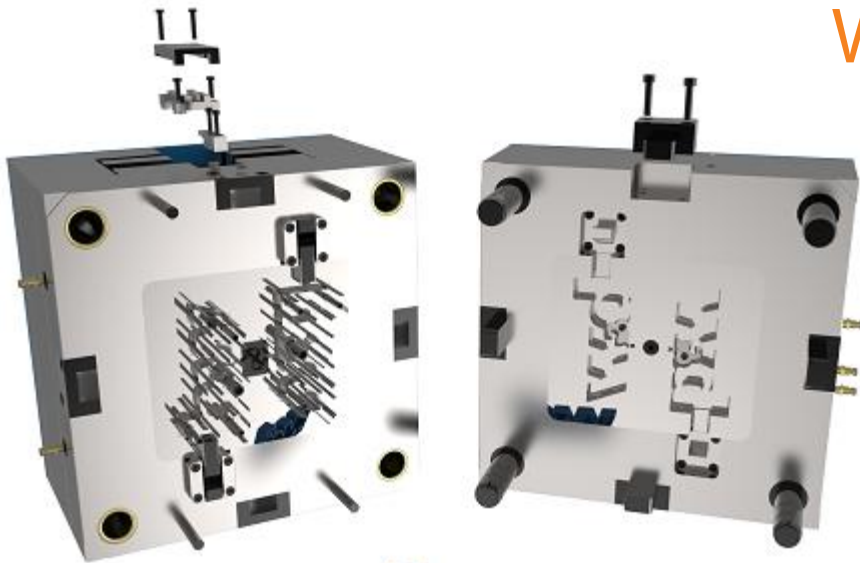
# Enhancement

---

- Meusburger components updated to Status July 2023
- Diverse issues solved

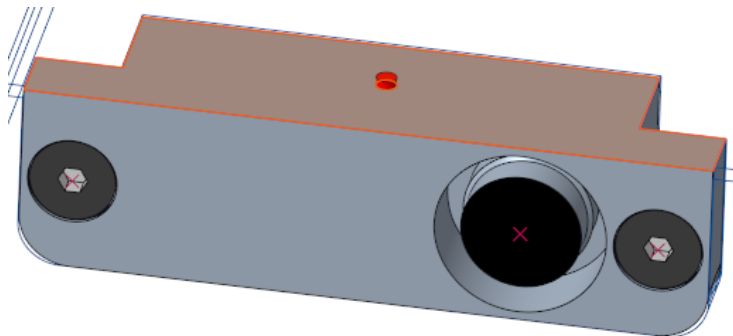
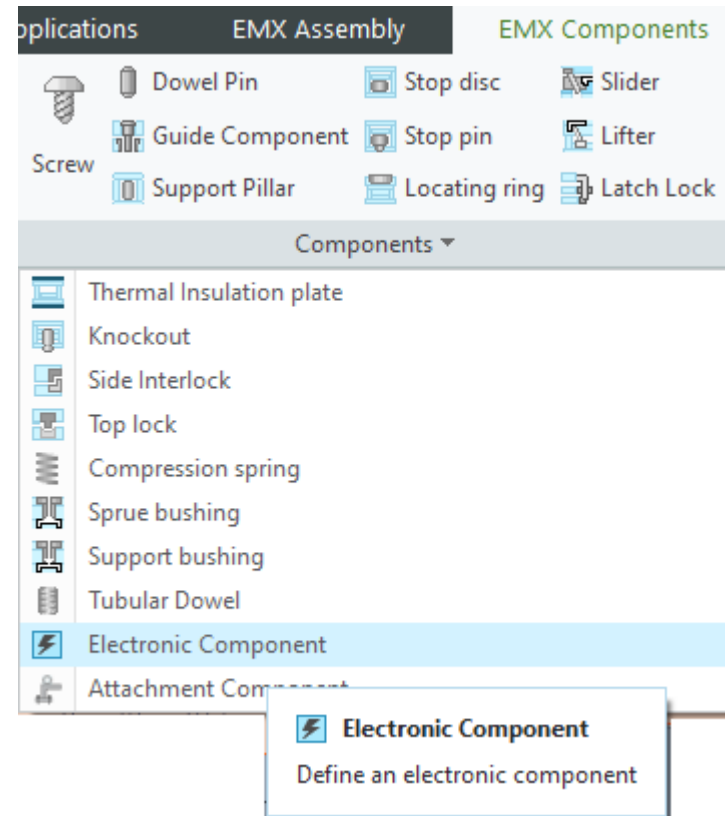
# EMX 15.0.3.4

What's New?



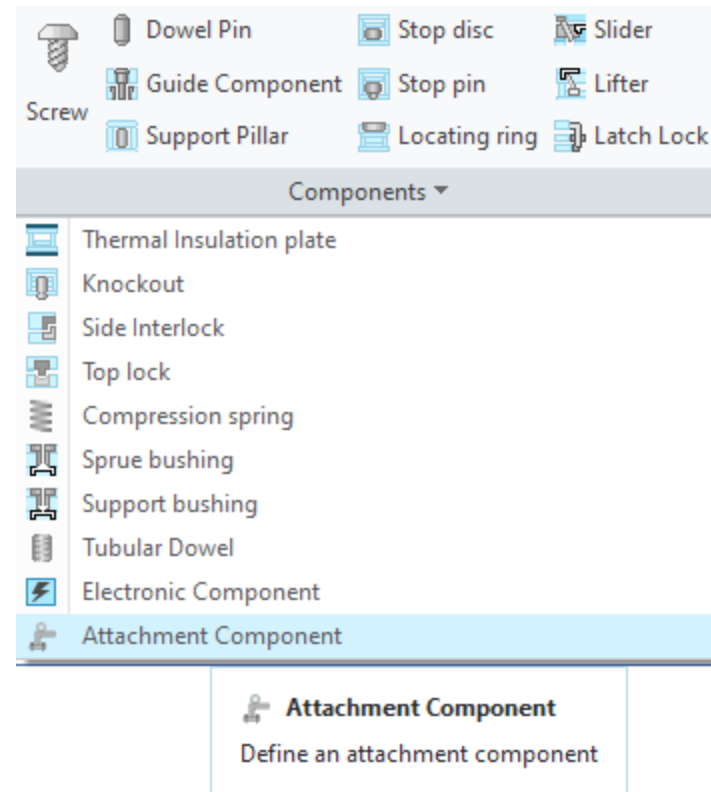
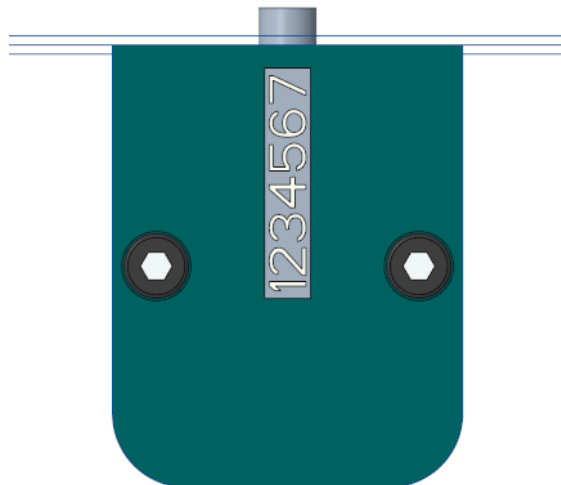
# Enhancement

- New Component Type: **Electronic Components**
- **KNARR:** 807600, 807600-2, 807700, 807700-2, 807650, 808600, 808600-2, 808700, 808700-2, 808650, 807600-4, 808600-4
- **MEUSBURGER:** E6500, E65005, E6502, E65025, E6504, E6505, E65055, E6507, E65075, E6509
- **STRACK:** Z7600, Z7600-2, Z7600-4



# Enhancement

- New Component Type: **Attachment Components**
- **MEUSBURGER** limit switches:  
E6500, E65005, E6502, E65025,  
E6504, E6505
- **MEUSBURGER** transport bridge  
E1930
- **OPTIZ** date stamps



# Enhancements

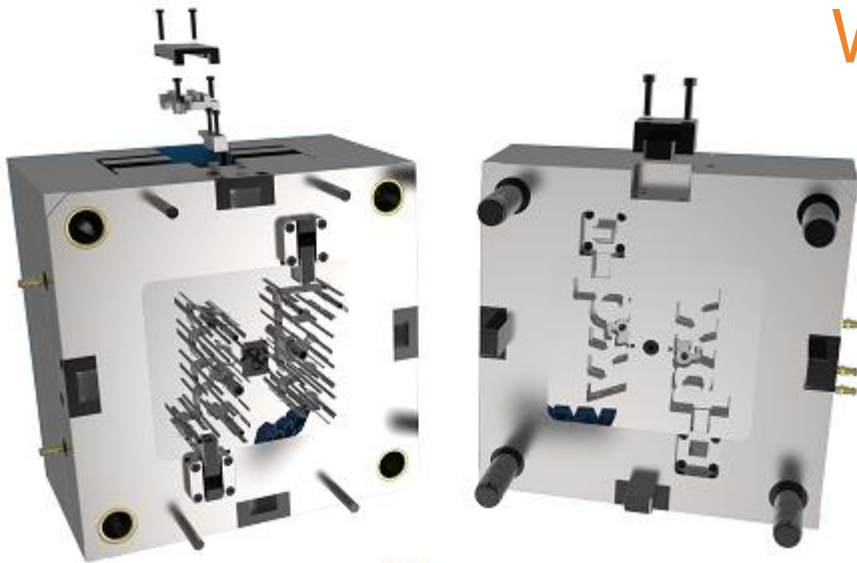
---

## New components:

- New KNARR guide FreeLub 517404

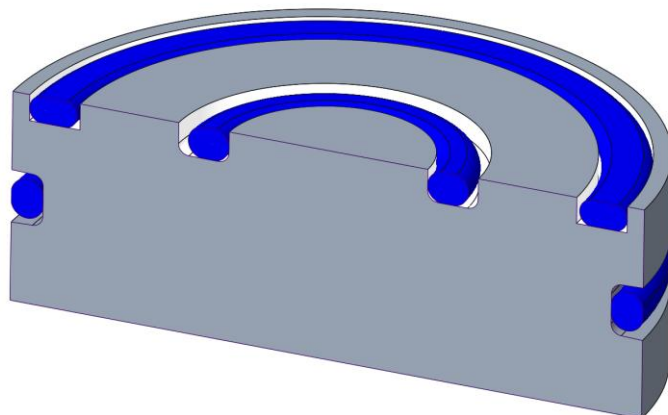
# EMX 15.0.3.1

What's New?



# Enhancement

- New American Standard Sealing Rings for different assembly situations
  - Components are assembled as flexible models.
    - Same model can be used in different assembly scenarios.
    - Model changes width based on compressed height without changing the volume of the sealing ring.
  - Inner and outer pressure and coaxial scenarios are supported.



Cooling Component

Subassembly: 123

Unit:  mm  inch

Supplier: as

Type: AS568\_AXIAL\_FKM\_75 | O-Ring

Dimension Name	Value	Type
DM2 - Diameter	1.78	
DM1 - Inner Diameter	1.78	
DM_FLEX - Mounting	5.287	
W_GROOVE - W_GROC	2.4	
T_GROOVE_FLEX - Gro	1.5	
DM_RESULT - Result Di	0.487	
OFFSET - Offset	0	

Part Name: 123\_AS568\_004\_1\_78\_1\_78

(1) Curve|Axis|Point (2) Surface

Component options:  Circular Groove  Add additional chamfers to edges

Draft Cut  Without Core Bore

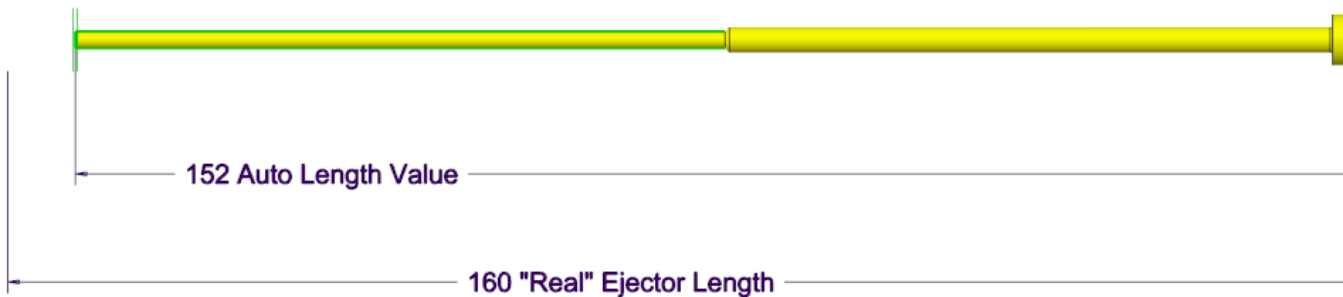
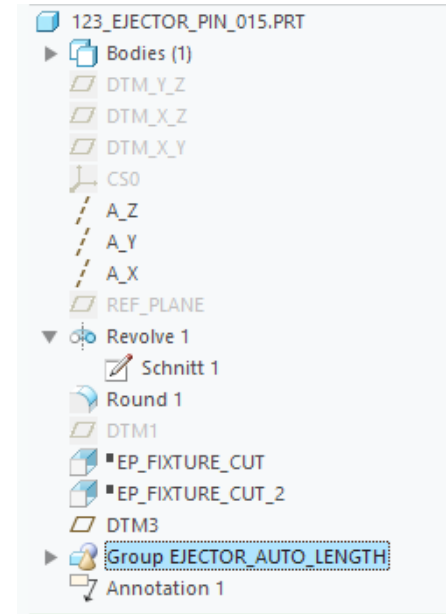
Define depth by: Use curve length

Na:	Value	Tolerances	Rule
D5	1.000		1
T5	0.000		AUTO_DEPTH
D1	5.287		DM_FLEX
T1	1.500		T_GROOVE_FLEX
D3	0.487		DM_FLEX-2*W_GROOV
A	59.000		59
TX	3.000		T_GROOVE_FLEX*2

OK Cancel

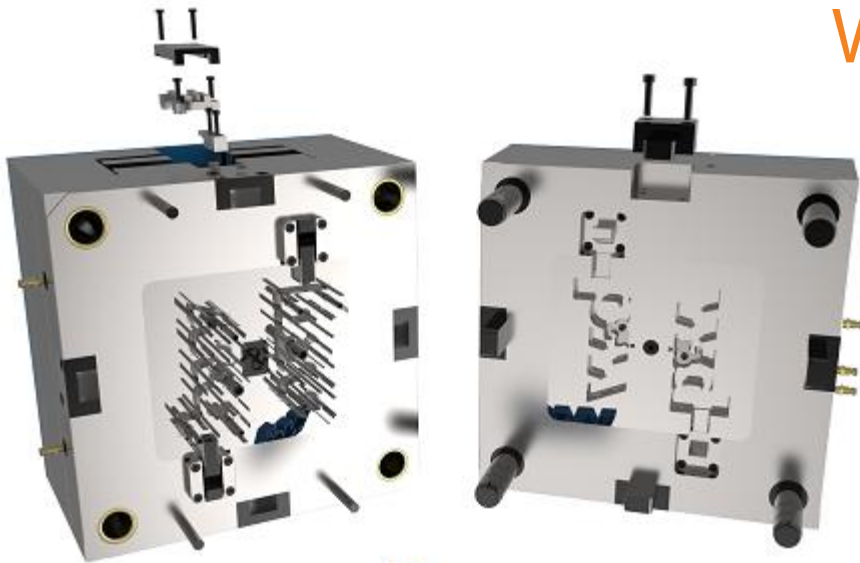
# Improvements

- Improved “Trim” feature behavior for ejector pins
  - Improved “Auto Length” feature behavior for ejector pins
- Auto length feature is now created as additional feature in ejector model.
  - “Real” length of ejector model is untouched.
  - In Modify mode “Auto Length” and “Trim” feature can be unset again.



# EMX 15.0.2.0

What's New?



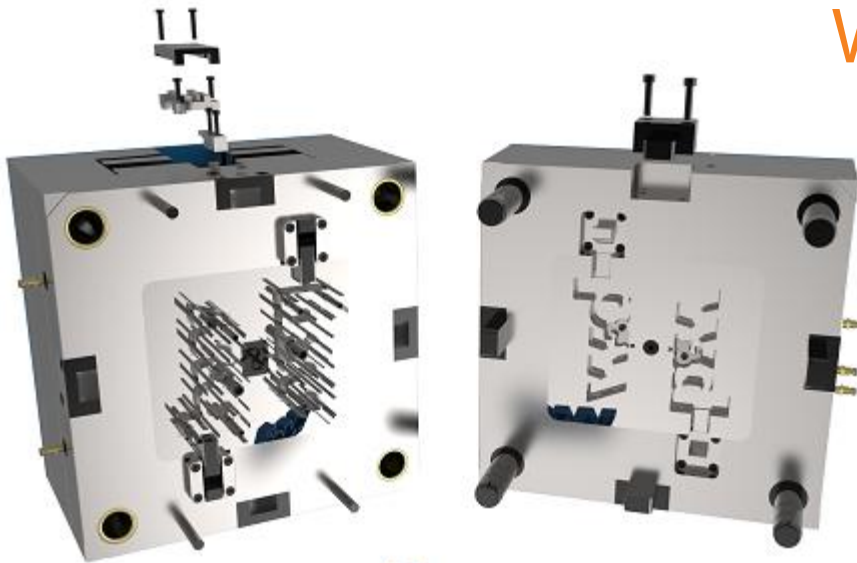
# Improvements

---

- Add new Misumi guide components GPH and GPHL.

# EMX 15.0.1.4

What's New?



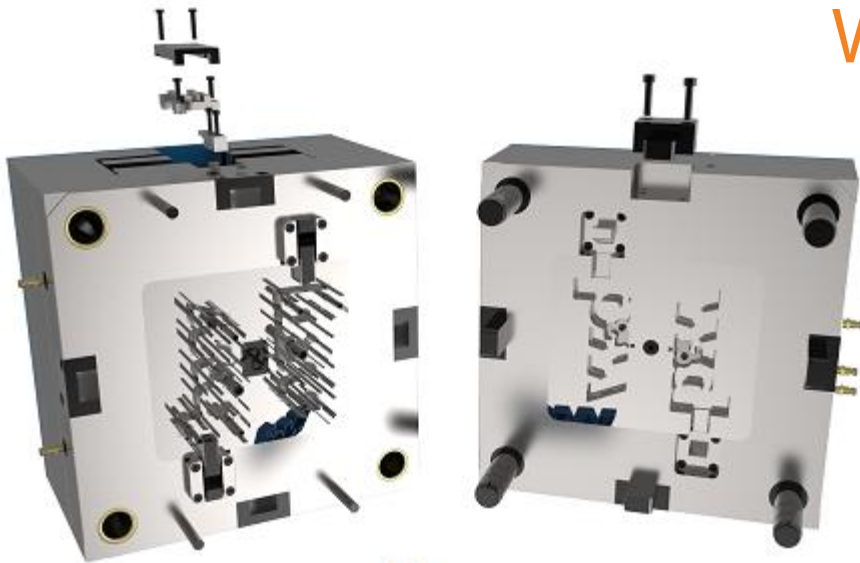
# Improvements

---

- Improved Component Editor
  - Easily create part name rules for assemblies within dat files
  - Improved definition of instance dimensions with right mouse menu
  - etc.
- New config option EXCEL\_TEMPALTE\_PATH to set up default location for Bill of Material Excel template file

# EMX 15.0.0.0

What's New?



# Enhancements

---

Compatible with new Creo 9.0.0.0