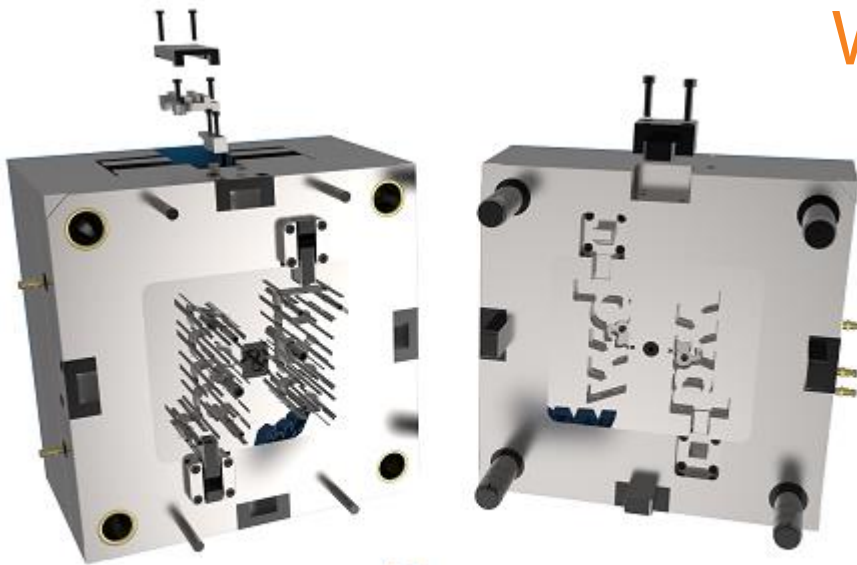


EMX 16.0.3.1

What's New?



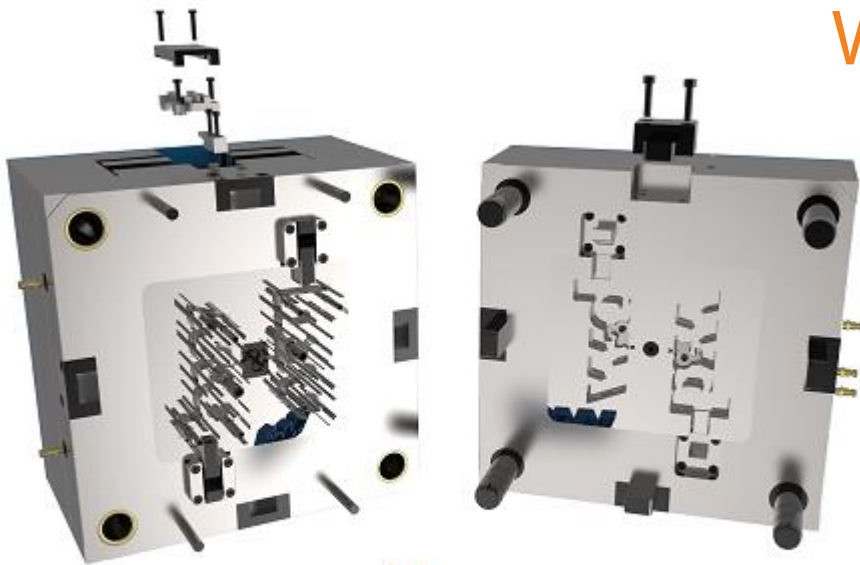
Enhancement

- New Stäubli CBX and CBI connectors for Hydraulics
- Improved Stäubli RMI and CBI connectors in cooling
- Overall improved functionality: Selectable option sealing and BF

- New Knarr Eyebolt screw 40811

EMX 16.0.3.0

What's New?

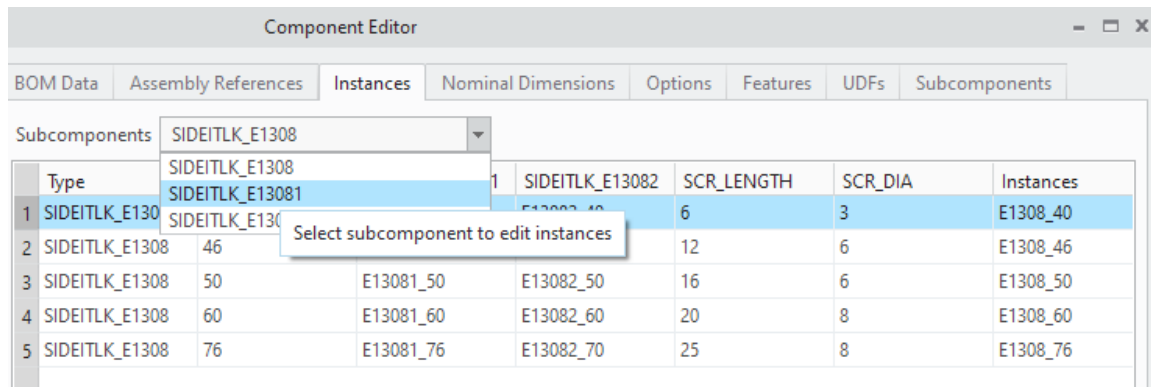


Enhancement

- New HASCO components:
 - Guide component: Z1300
 - Ejector Pins: DLC shouldered Z4430, cylindrical air-ventilated pin Z401
 - Top Interlocks: Cubic interlocks Z060 and Z080, spacer plate Z081.
 - Side Interlocks: Z085.
 - Attachment components: Flange Z167, Cycle Counters A5730, A5730HT, A57300, A57300HT, A5731, A5732
- Existing HASCO components updated to state of Summer 2023

Enhancement

- Component Editor: Enhanced functionality to edit subcomponent instances
 → Library Assemblies can be now fully defined in Component Editor.



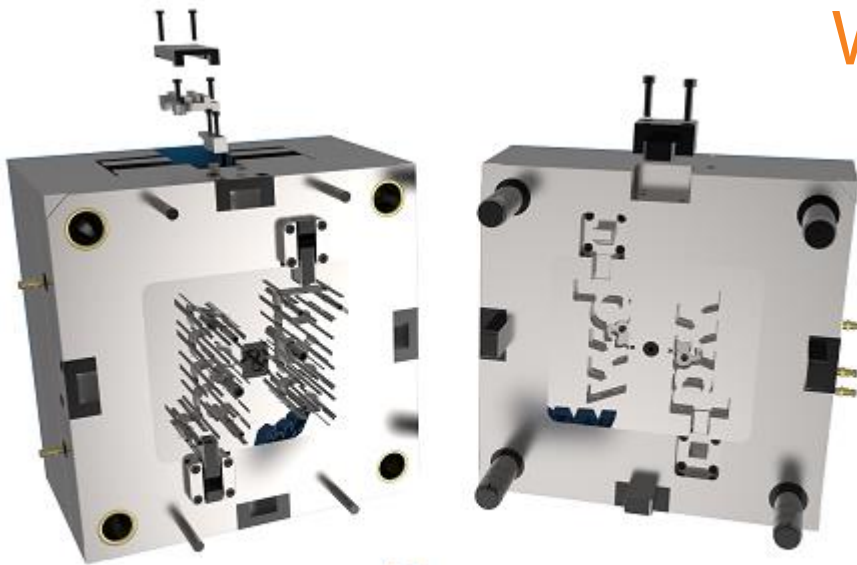
The screenshot shows the 'Component Editor' window with the 'Instances' tab selected. A table lists subcomponent instances with columns for Type, ID, Name, SCR_LENGTH, SCR_DIA, and Instances. A dropdown menu is open over the first row, and a tooltip 'Select subcomponent to edit instances' is visible over the second row.

Type	ID	Name	SCR_LENGTH	SCR_DIA	Instances
SIDEITLK_E1308	1	SIDEITLK_E13082	6	3	E1308_40
SIDEITLK_E1308	46	SIDEITLK_E13081	12	6	E1308_46
SIDEITLK_E1308	50	E13081_50	16	6	E1308_50
SIDEITLK_E1308	60	E13081_60	20	8	E1308_60
SIDEITLK_E1308	76	E13081_76	25	8	E1308_76

In case subcomponents exists selected from option menu.

EMX 16.0.2.0

What's New?

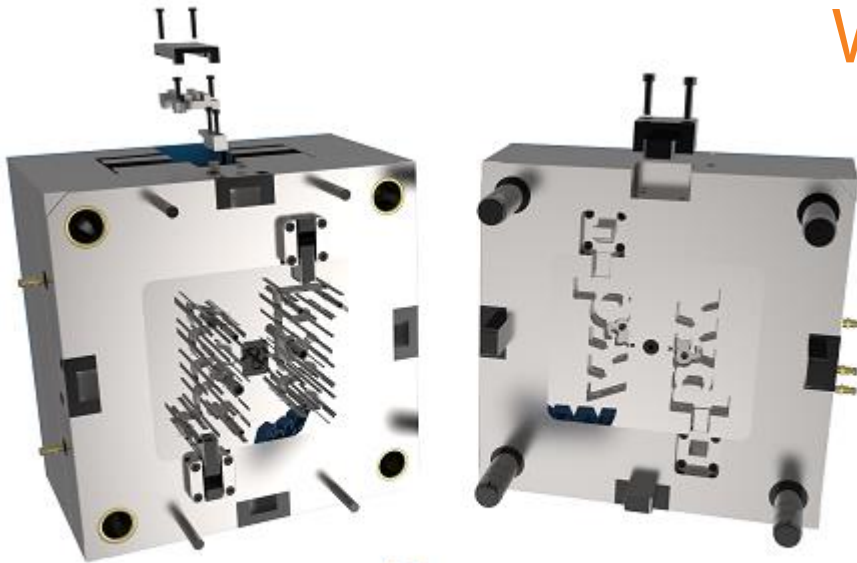


Enhancement

- EMX is integrated into Applications Group of Creo Parametric

EMX 16.0.0.0

What's New?



Enhancements

Compatible with new Creo 10.0.0.0