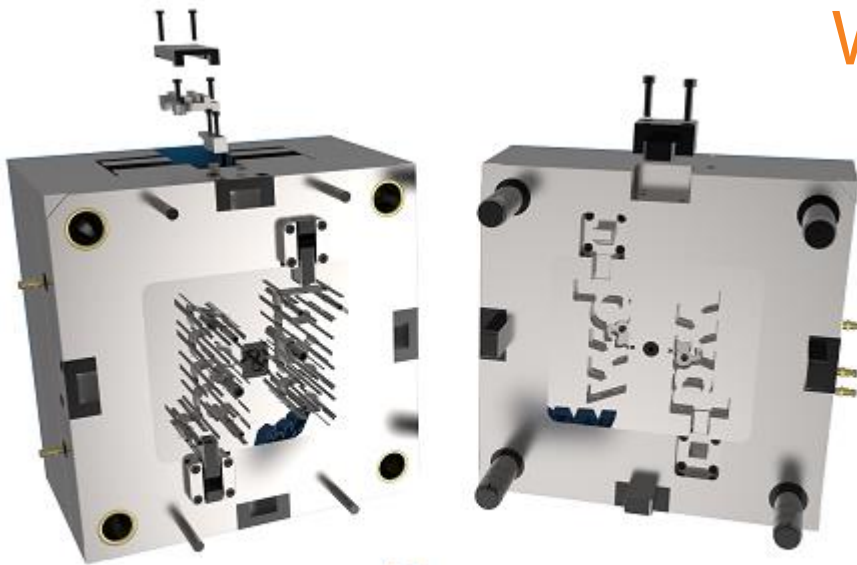


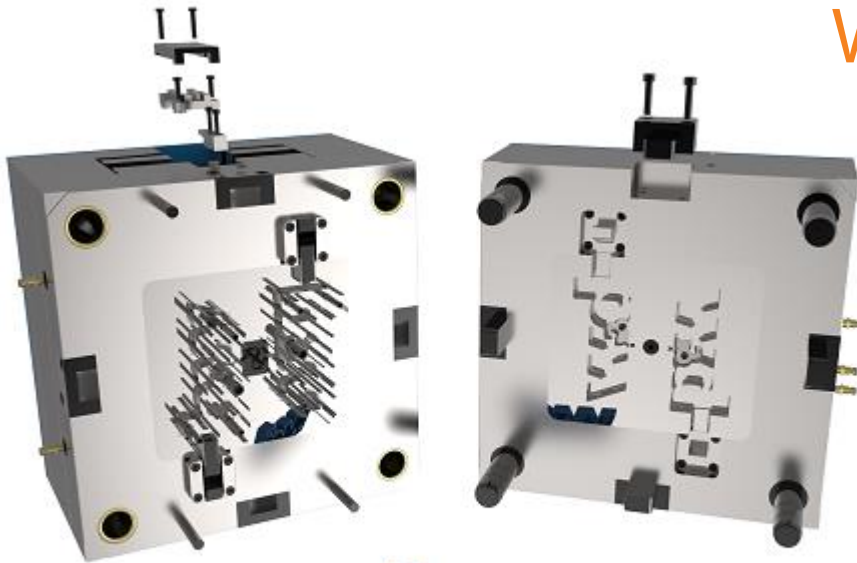
EMX 16.0.5.0

What's New?



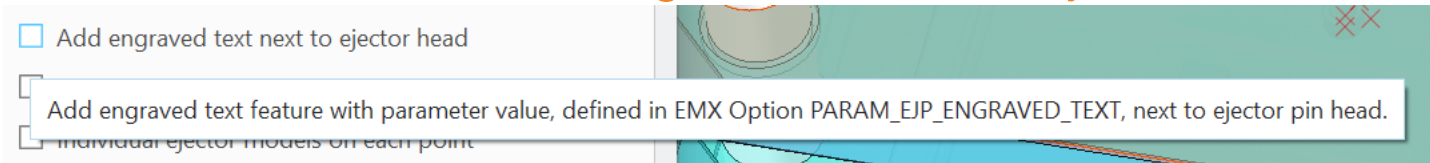
EMX 16.0.4.1

What's New?



Enhancement

New Feature: Assemble engraved texts for Ejector Pins



- New Option in Ejector Dialog: *Add engraved text next to ejector head*
- Text feature will be created in ejector model on head surface and next to head cutout UDF in plate.
- Text is controlled by relation and driven by a part parameter
- Part parameter must be defined with new Configuration Option *PARAM_EJP_ENGRAVED_TEXT* otherwise option in ejector dialog is disabled.
- New config file: *engraved_text_heights.cfg* to define valid text heights

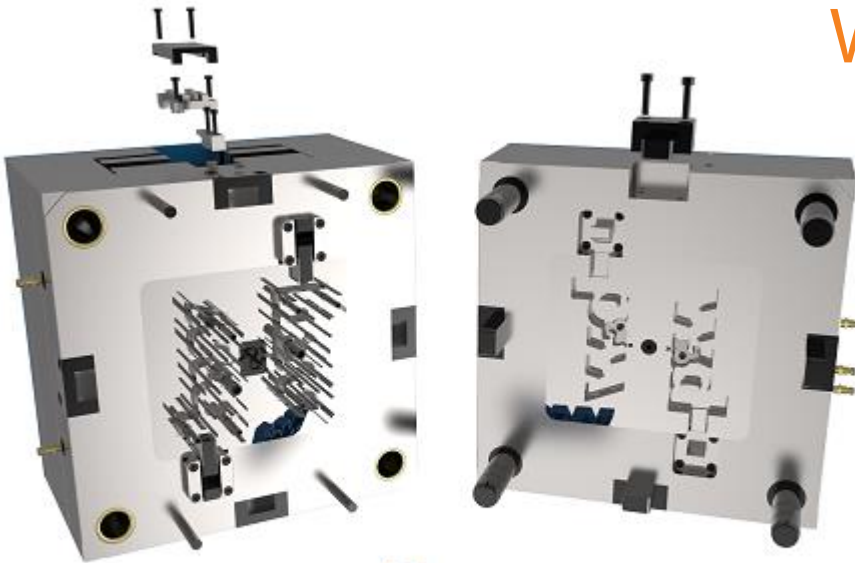


Enhancement

- Update existing HASCO components to state April 2024
- Update existing KNARR components to state April 2024
- Improve performance of additional chamfer creation in case of multiple point features.

EMX 16.0.4.0

What's New?

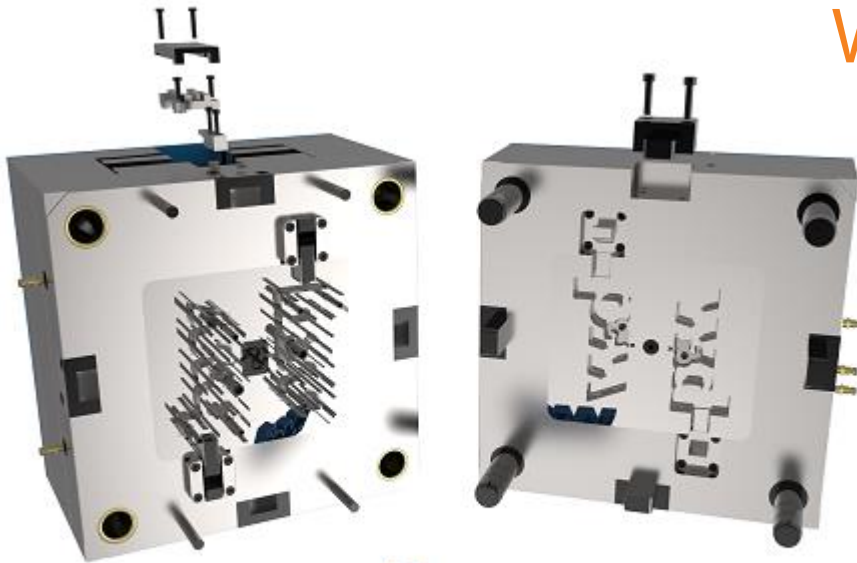


Enhancement

- Update existing Meusburger components to state January 2024


EMX 16.0.3.1

What's New?



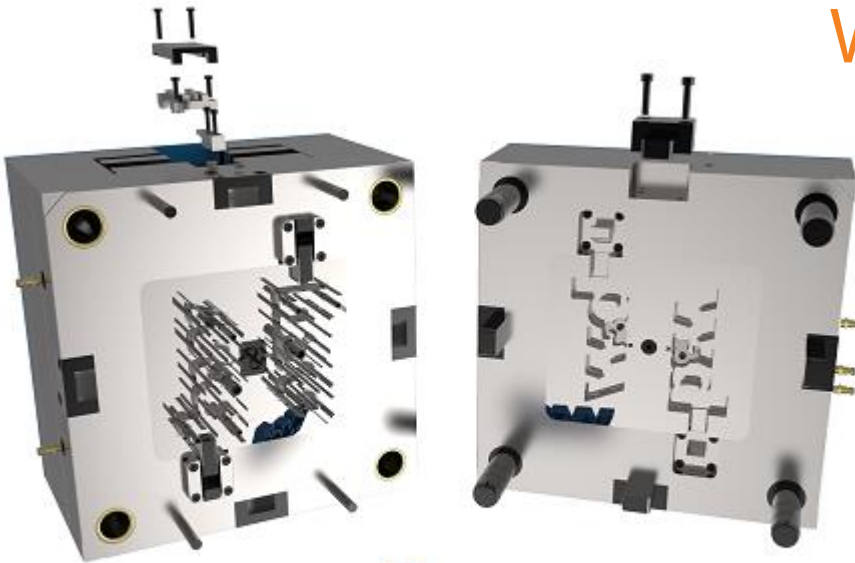
Enhancement

- New Stäubli CBX and CBI connectors for Hydraulics
 - Improved Stäubli RMI and CBI connectors in cooling
 - Overall improved functionality: Selectable option sealing and BF

 - New Knarr Eyebolt screw 40811
- 
- Decorative curved lines in the bottom right corner of the slide, consisting of a thick grey arc and a thin orange arc.

EMX 16.0.3.0

What's New?



Enhancement

- New HASCO components:
 - Guide component: Z1300
 - Ejector Pins: DLC shouldered Z4430, cylindrical air-ventilated pin Z401
 - Top Interlocks: Cubic interlocks Z060 and Z080, spacer plate Z081.
 - Side Interlocks: Z085.
 - Attachment components: Flange Z167, Cycle Counters A5730, A5730HT, A57300, A57300HT, A5731, A5732
- Existing HASCO components updated to state of Summer 2023

Enhancement

- Component Editor: Enhanced functionality to edit subcomponent instances
 → Library Assemblies can be now fully defined in Component Editor.

Component Editor

BOM Data | Assembly References | **Instances** | Nominal Dimensions | Options | Features | UDFs | Subcomponents

Subcomponents: SIDEITLK_E1308

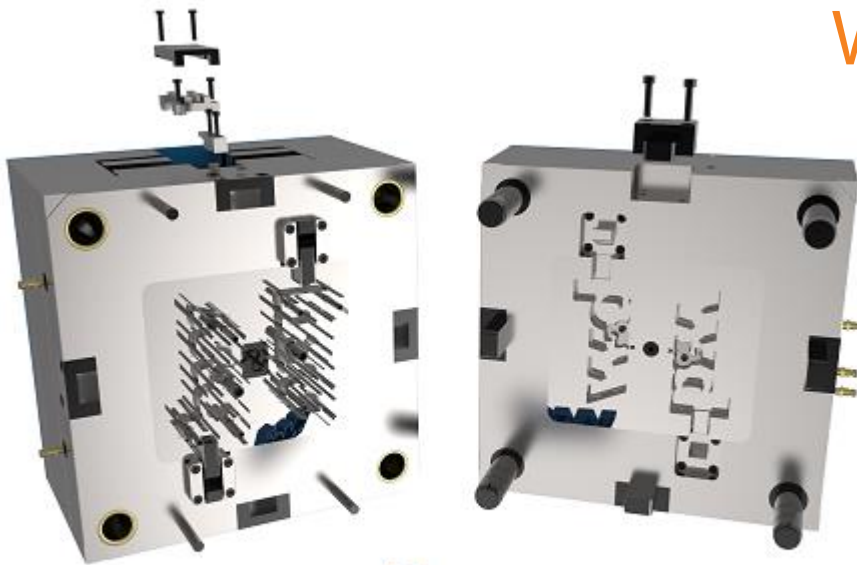
Type				SCR_LENGTH	SCR_DIA	Instances
1	SIDEITLK_E1308	SIDEITLK_E1308	1	SIDEITLK_E13082	6	E1308_40
2	SIDEITLK_E1308	46			12	E1308_46
3	SIDEITLK_E1308	50	E13081_50	E13082_50	16	E1308_50
4	SIDEITLK_E1308	60	E13081_60	E13082_60	20	E1308_60
5	SIDEITLK_E1308	76	E13081_76	E13082_70	25	E1308_76

Select subcomponent to edit instances

In case subcomponents exists selected from option menu.

EMX 16.0.2.0

What's New?

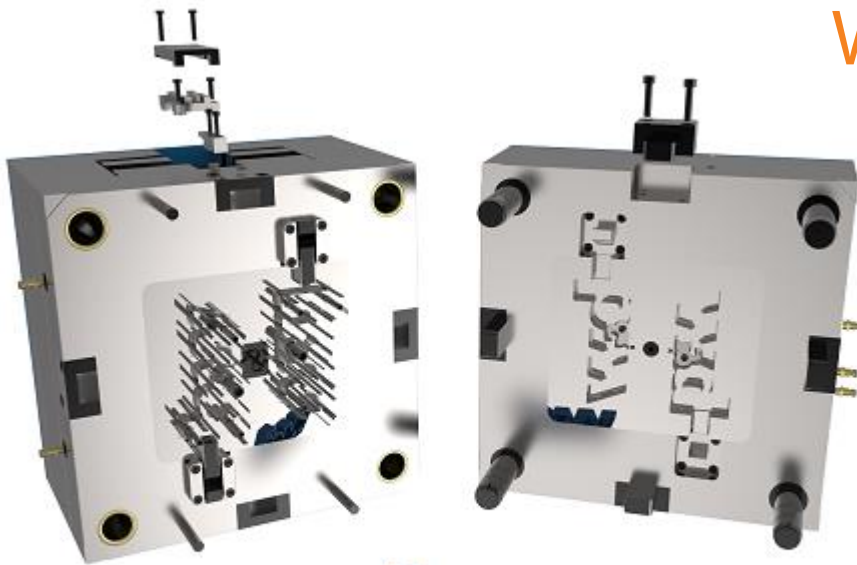


Enhancement

- EMX is integrated into Applications Group of Creo Parametric

EMX 16.0.0.0

What's New?



Enhancements

Compatible with new Creo 10.0.0.0