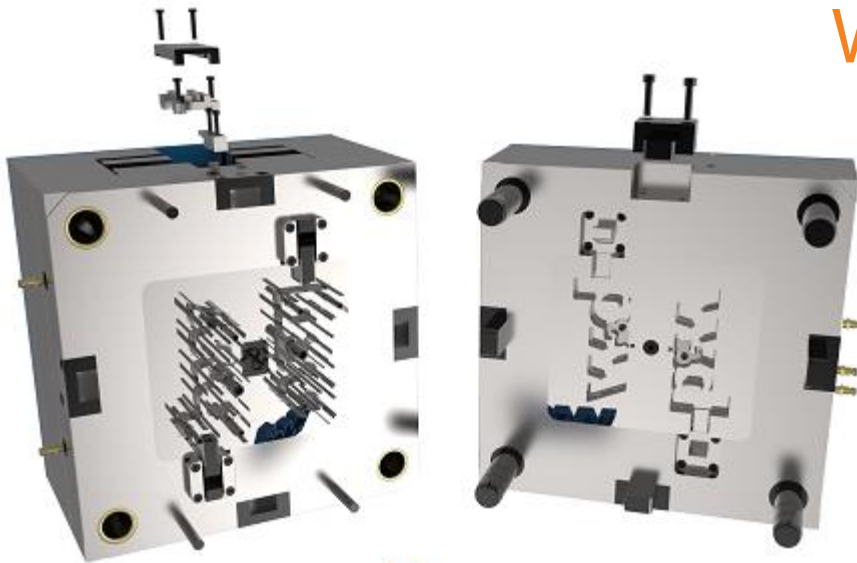


# EMX 16.0.7.0

What's New?



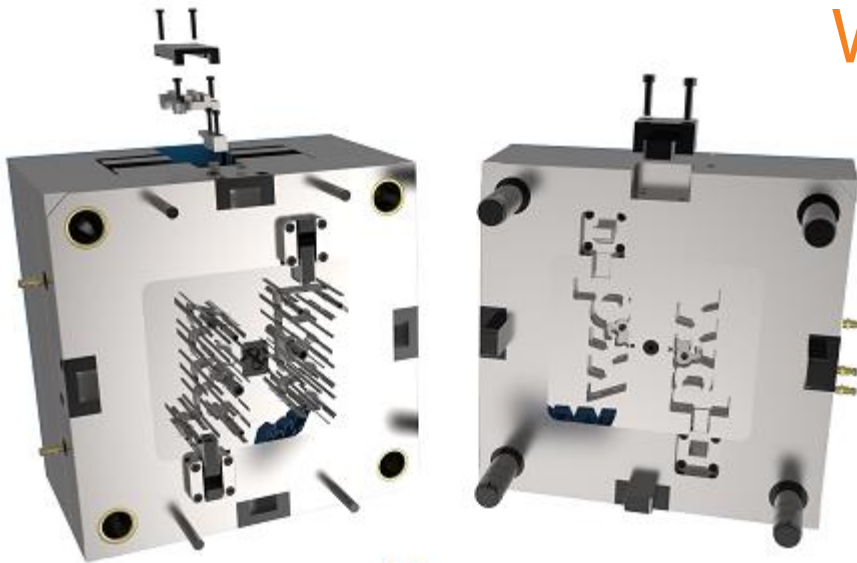
# Enhancement

---

- Update Smart Holechart to Version 16.0.7.0
- Allow flexible items for guide components
- Several minor fixes and internal improvements

# EMX 16.0.6.1

What's New?



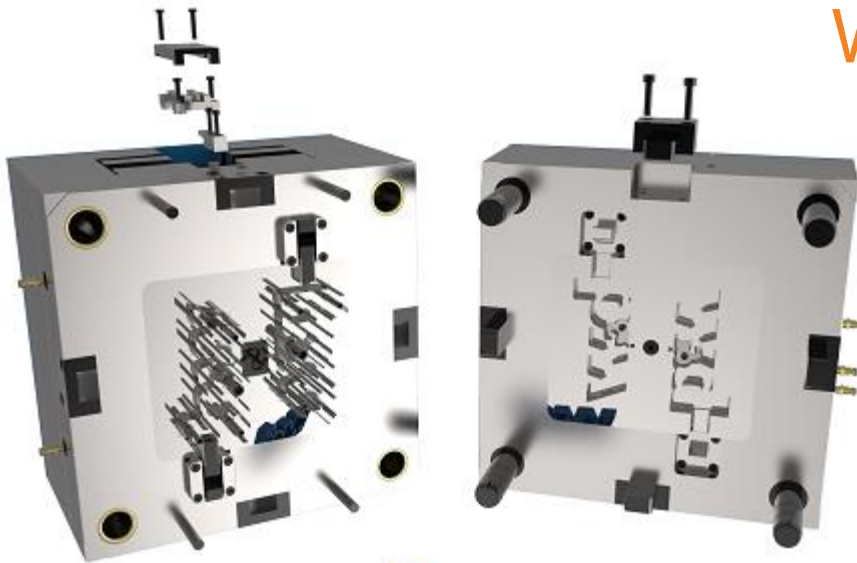
# Enhancement

---

- Several bug fixed
- Update SmartHolechart to Version 16.0.6.0

# EMX 16.0.5.1

What's New?



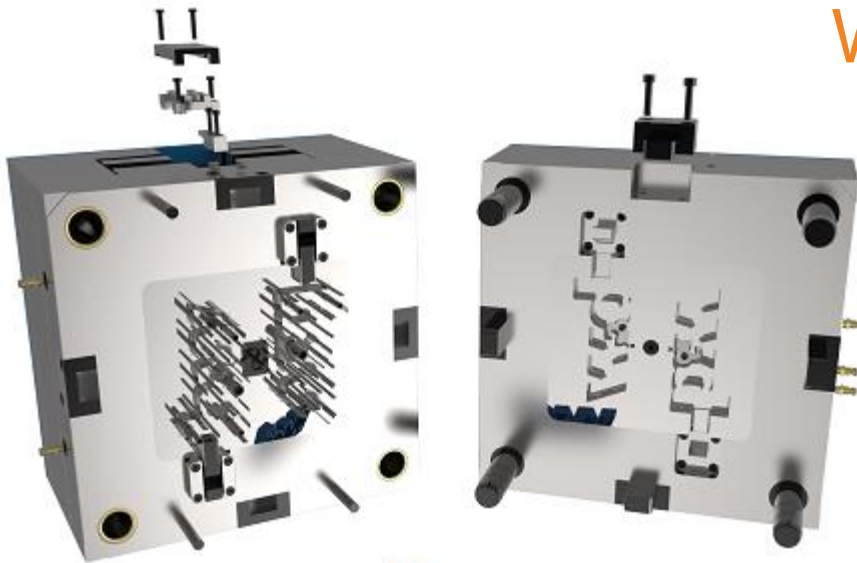
# Enhancement

---

- Update existing MEUSBURGER components to state April 2024
- Enhancements for Engraved Texts for ejector pins:
  - New Options EJP\_ENGRAVED\_TEXT\_TYPE: Sketch can be created as contour or middle line.
  - Parameter defined in PARAM\_EJP\_ENGRAVED\_TEXT will only be created at ejector pin models.

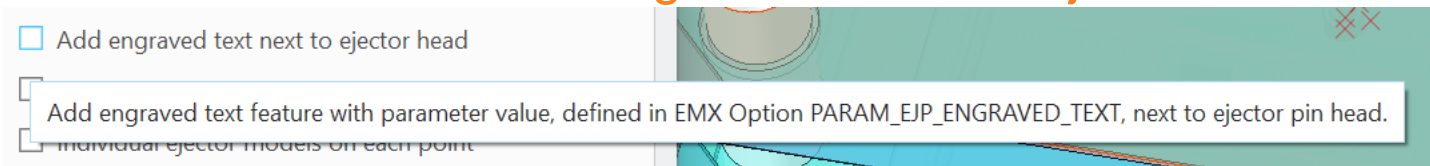
# EMX 16.0.4.1

What's New?



# Enhancement

## New Feature: Assemble engraved texts for Ejector Pins



- New Option in Ejector Dialog: *Add engraved text next to ejector head*
- Text feature will be created in ejector model on head surface and next to head cutout UDF in plate.
- Text is controlled by relation and driven by a part parameter
- Part parameter must be defined with new Configuration Option *PARAM\_EJP\_ENGRAVED\_TEXT* otherwise option in ejector dialog is disabled.
- New config file: *engraved\_text\_heights.cfg* to define valid text heights



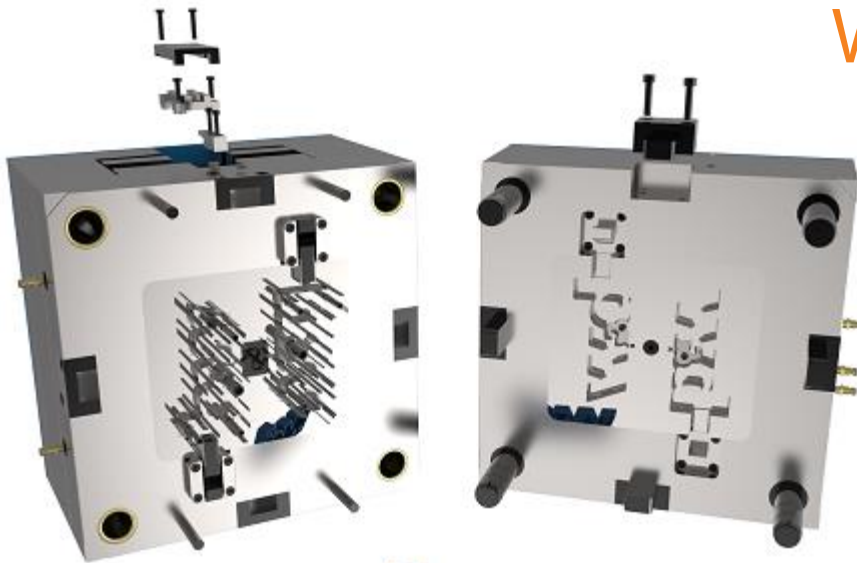
# Enhancement

---

- Update existing HASCO components to state April 2024
- Update existing KNARR components to state April 2024
- Improve performance of additional chamfer creation in case of multiple point features.

# EMX 16.0.4.0

What's New?



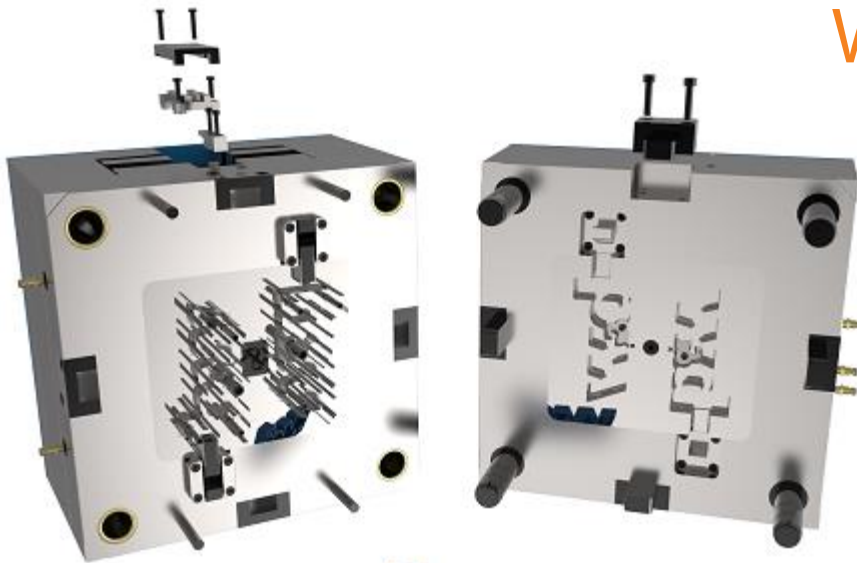
# Enhancement

---

- Update existing Meusburger components to state January 2024

# EMX 16.0.3.1

What's New?

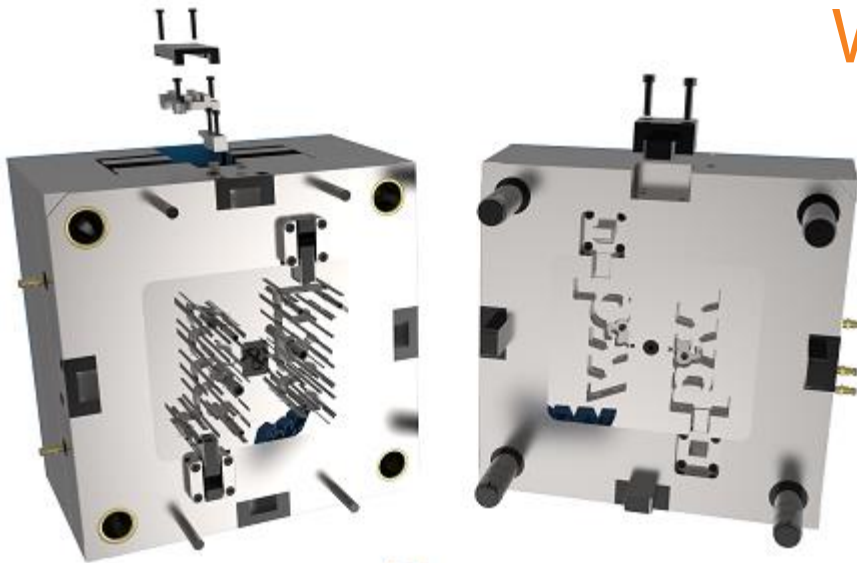


# Enhancement

- New Stäubli CBX and CBI connectors for Hydraulics
- Improved Stäubli RMI and CBI connectors in cooling
- Overall improved functionality: Selectable option sealing and BF
  
- New Knarr Eyebolt screw 40811

# EMX 16.0.3.0

What's New?



# Enhancement

---

- New HASCO components:
  - Guide component: Z1300
  - Ejector Pins: DLC shouldered Z4430, cylindrical air-ventilated pin Z401
  - Top Interlocks: Cubic interlocks Z060 and Z080, spacer plate Z081.
  - Side Interlocks: Z085.
  - Attachment components: Flange Z167, Cycle Counters A5730, A5730HT, A57300, A57300HT, A5731, A5732
- Existing HASCO components updated to state of Summer 2023

# Enhancement

- Component Editor: Enhanced functionality to edit subcomponent instances  
 → Library Assemblies can be now fully defined in Component Editor.

Component Editor

BOM Data Assembly References Instances Nominal Dimensions Options Features UDFs Subcomponents

Subcomponents SIDEITLK\_E1308

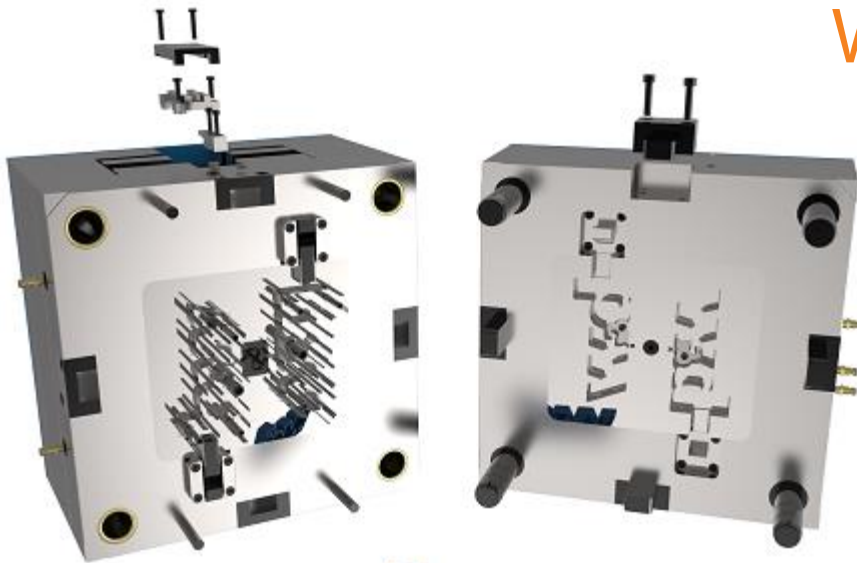
Type				SCR_LENGTH	SCR_DIA	Instances
1	SIDEITLK_E1308	SIDEITLK_E1308	1	SIDEITLK_E13082	6	E1308_40
2	SIDEITLK_E1308	46			12	E1308_46
3	SIDEITLK_E1308	50	E13081_50	E13082_50	16	E1308_50
4	SIDEITLK_E1308	60	E13081_60	E13082_60	20	E1308_60
5	SIDEITLK_E1308	76	E13081_76	E13082_70	25	E1308_76

Select subcomponent to edit instances

In case subcomponents exists selected from option menu.

# EMX 16.0.2.0

What's New?



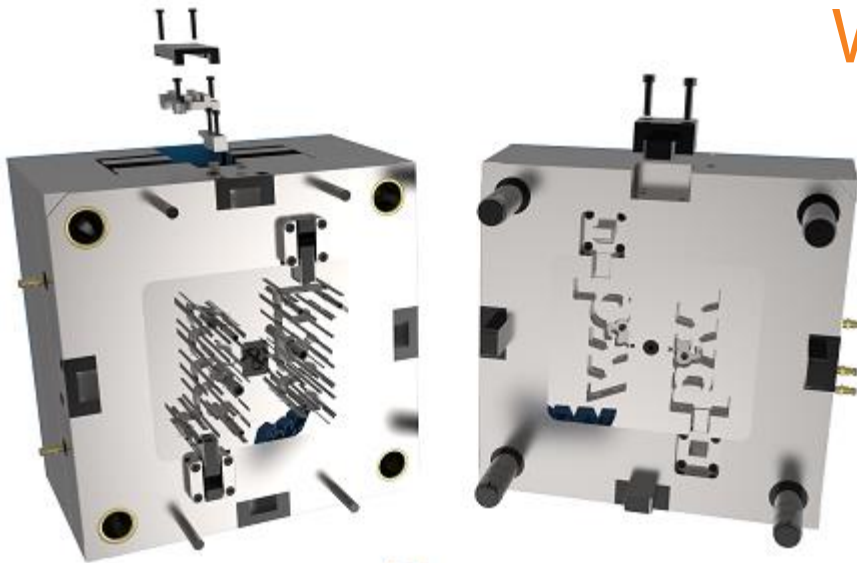
# Enhancement

---

- EMX is integrated into Applications Group of Creo Parametric

# EMX 16.0.0.0

What's New?



# Enhancements

---

Compatible with new Creo 10.0.0.0