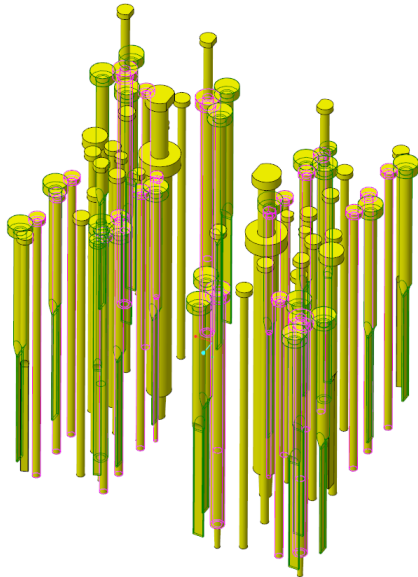
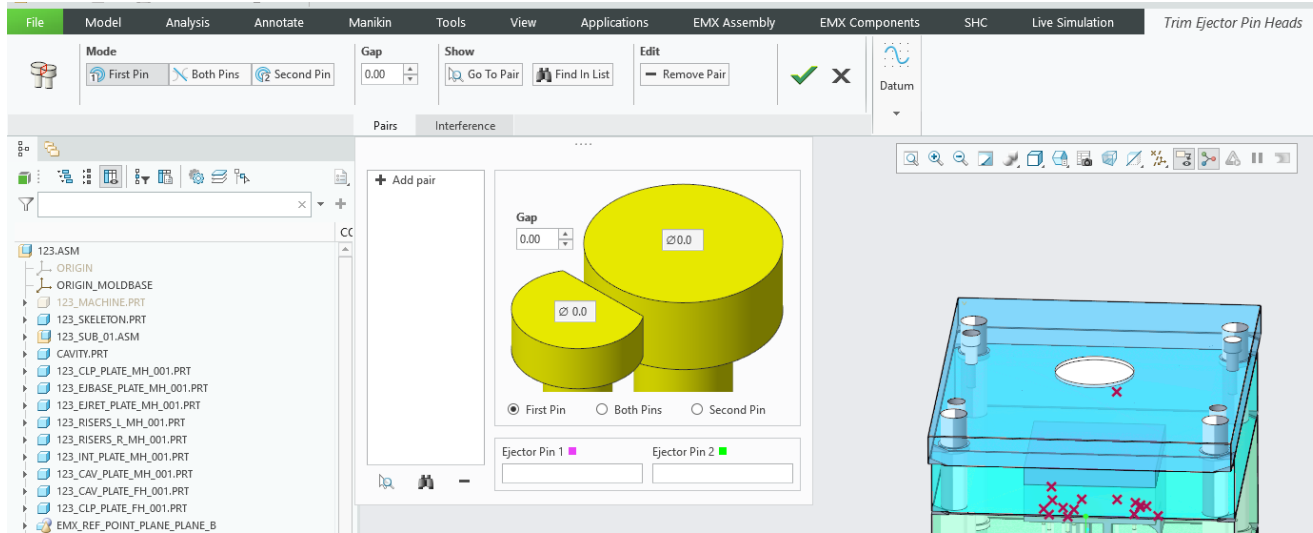


EMX 16.0.8.2

What's New?



Enhancement



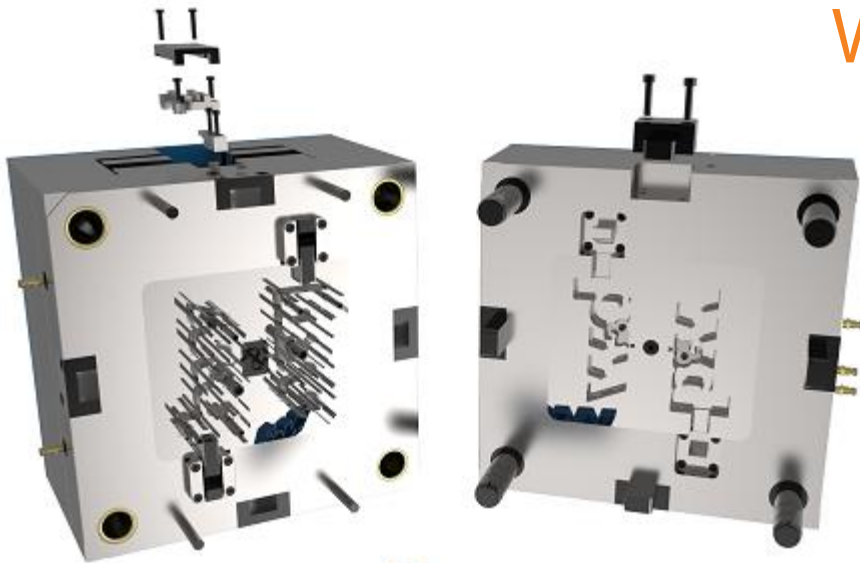
- Enhanced Trim Ejector Pin Heads capabilities
 - New Dashboard
 - Different trim shapes
 - Add and remove trim pairs
 - Manage existing pairs in list
 - Highlight pairs in 3D view

Enhancement

- Library components and related cutouts can be considered in Extract Fluid circuits command, in case parameter BELONGS_TO_WATERLINE=„YES“ exists at model.
- New Meusburger cooling components E2016, E20169, E20259, E2020HT, E2020 D and E20209HT
- Update all existing Meusburger components to state 6.2.11.0
- Improve performance of Excel export

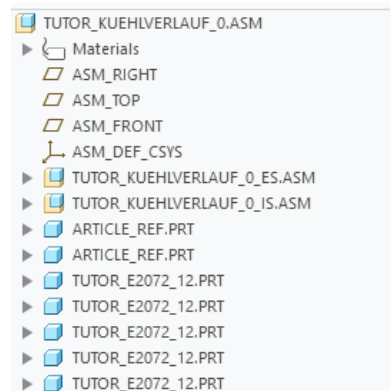
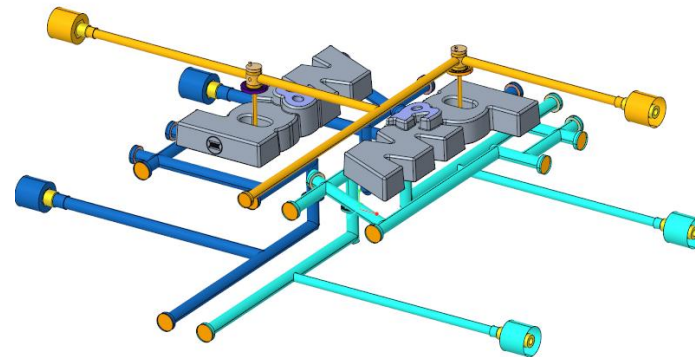
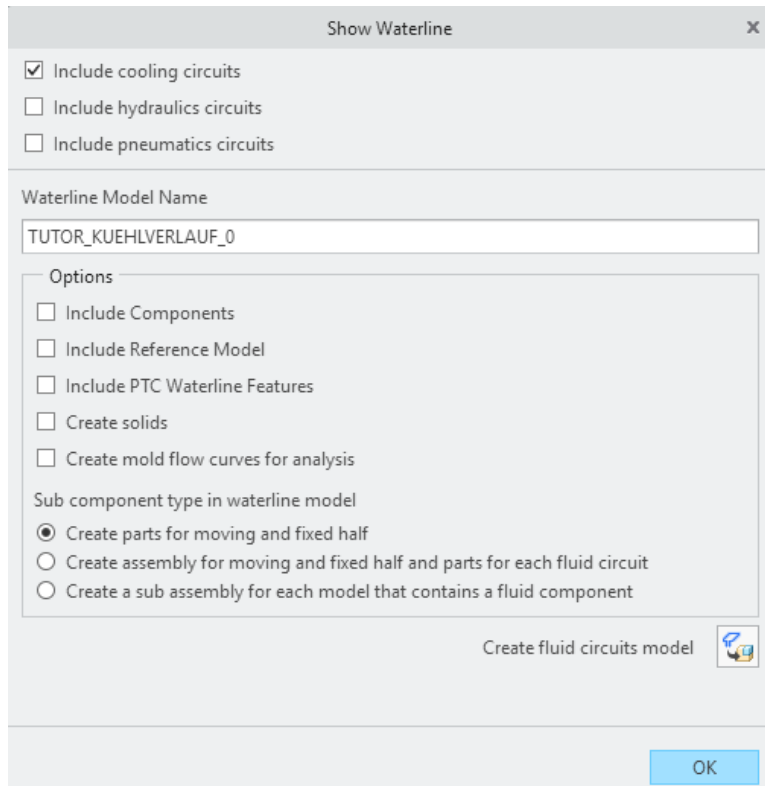
EMX 16.0.8.1

What's New?



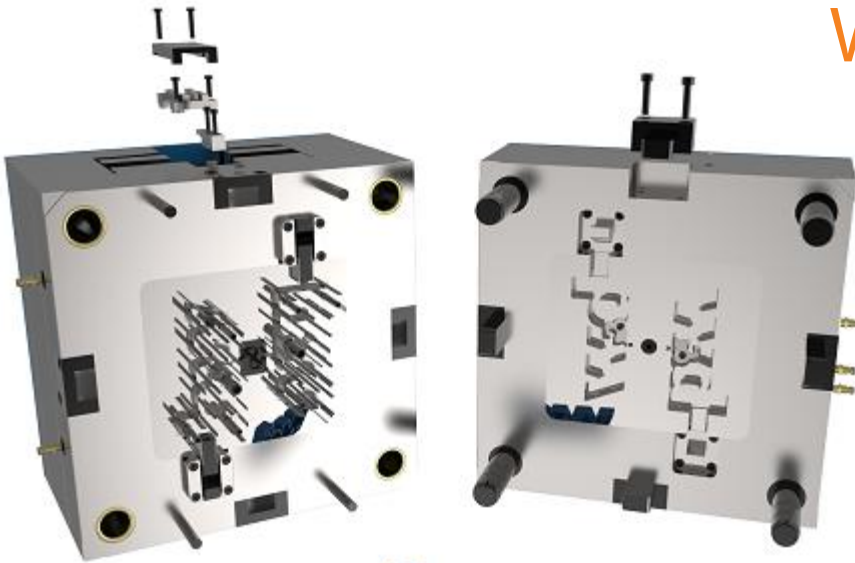
Enhancement

- Improve the Extract fluid circuit functionality
 1. Improve algorithm to detect related fluid bores
 2. Implement new radio group with option to assemble a subassembly for fixed and moving half, but also a part for each cooling circuit
 3. Use progress bar to avoid freezing of Creo window



EMX 16.0.8.0

What's New?



Enhancement

- Implement solution to directly use measured values from Tiny Measure Tools in nominal values of component dialog
 - Select dimension in nominal values table
 - Open Tiny Measure Tools with Right Mouse Click
 - Measure diameter, length or offset
 - Best fit value will be used in nominal value table

The diagram illustrates the process of updating a nominal value with a measured value. It starts with a 3D model of a shaft with dimensions labeled: (1) Diameter (DM1), (2) Length (LG), and (3) Reference Distance (REF1). The nominal values table shows DM1 as 0.4, LG as 100, REF_ANGLE as 0, and REF1 as 56.000. A context menu is shown with options: Measure Diameter, Measure Length, and Measure Offset. An EMX Question dialog box asks: "Measured diameter: 4.500. The best fit value in the option menu is: 4.5. Use the best fit result in nominal value?" with Yes and No buttons. The final state shows the nominal value for DM1 updated to 4.5.

Dimension Name	Value	Type
DM1 - Diameter	0.4	
LG - Length	100	
OFFSET - Offset	0	
REF_ANGLE - Angle	0	
REF1 - Reference Dista	56.000	

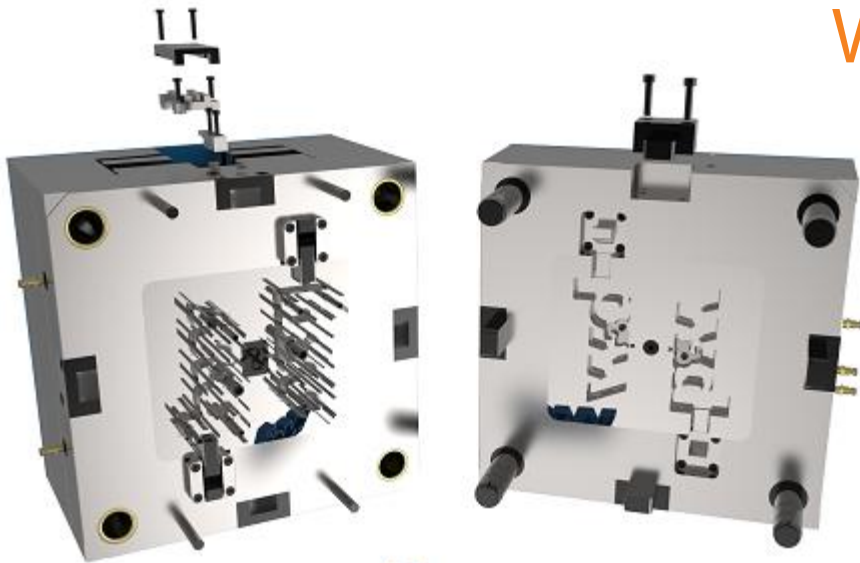
Dimension Name	Value	Type
DM1 - Diameter	4.5	
LG - Length	100	
OFFSET - Offset	0	
REF_ANGLE - Angle	0	
REF1 - Reference Dista	56.000	

Enhancement

- Update SmartHolechart to Version 16.0.8.0
- New Components Meusburger Guide E1332 and E1146
- Implement new cooling O-rings from new suppliers Hagenauer and Arcus
- Add Ermanno Balzi cooling component TR, TRI, RF, RFP, RL, RLS

EMX 16.0.7.2

What's New?



Enhancement

New HASCO cooling components:

- Z87: Hose Nipple
- Z87VA: Hose Nipple, stainless steel
- Z9425: Sealing plug with O-Ring
- Z9425VA: Sealing plug with O-Ring, stainless steel
- ZI81: Hose Nipple, Open Flow, USA

Enhancement


- Implement new config option BOM_ALLOW_EDIT_PROJECT_PARAMS to allow manual editing of project parameters in BOM

Default Value is: NO

Behavior NO:

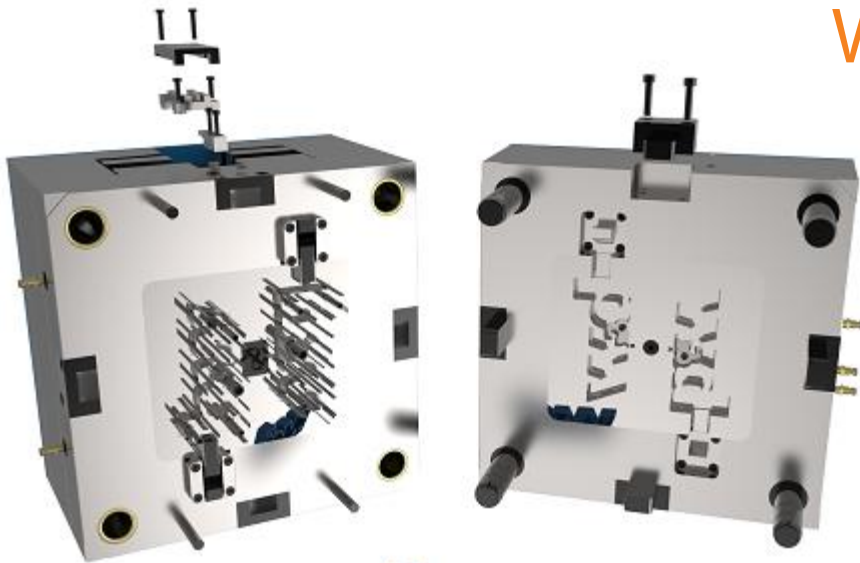
- Project parameters are disabled in Bill of Materials List.
- Value can not be edited
- Value is always overwritten from top assembly

Behavior YES:

- Project parameter can be edited in Bill of Materials
 - Value needs to be unlocked in BOM
- 
- Decorative curved lines in the bottom right corner, consisting of a thick grey arc and a thin orange arc.

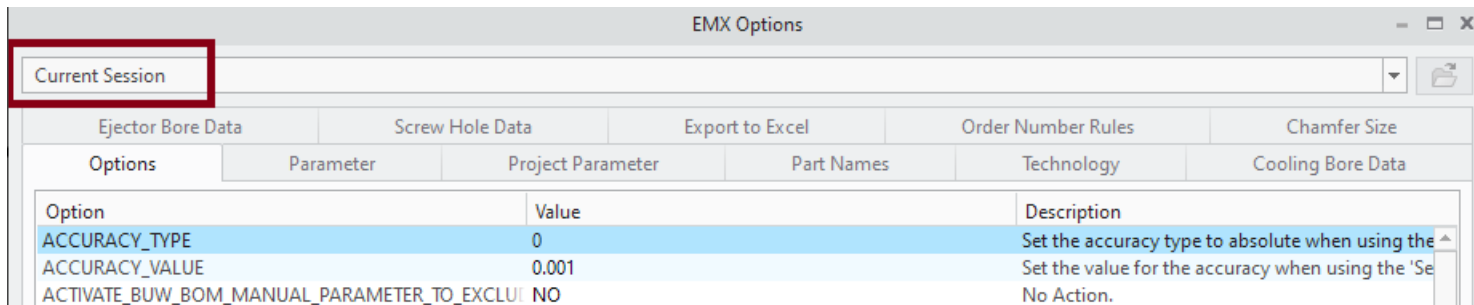
EMX 16.0.7.1

What's New?



Enhancement

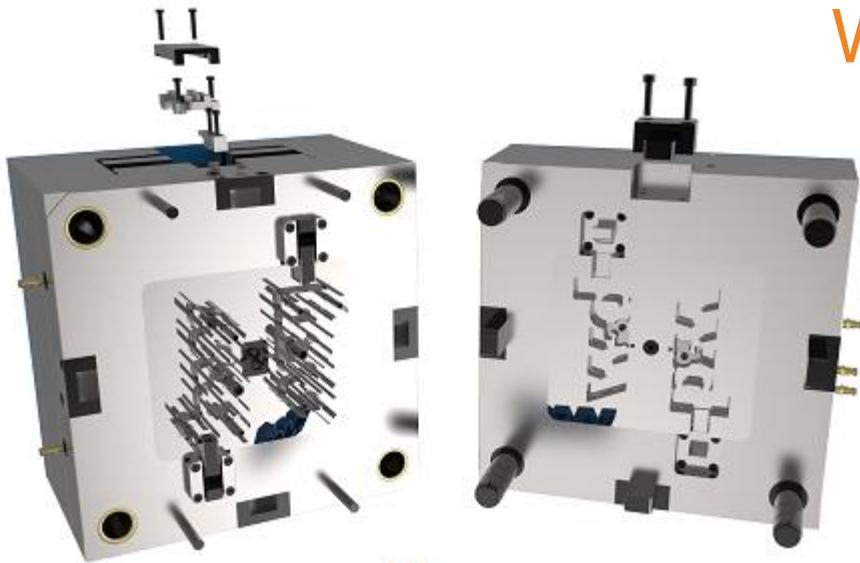
- Introduce functionality to save configuration to current session only. “Current Session” can be selected in Options Dialog from option menu



- Several minor fixes and internal improvements

EMX 16.0.7.0

What's New?

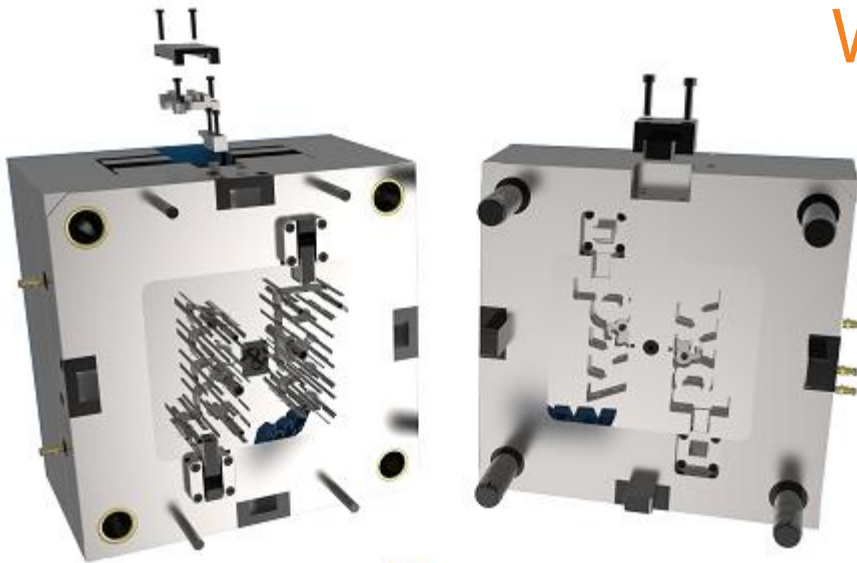


Enhancement

- Update Smart Holechart to Version 16.0.7.0
- Allow flexible items for guide components
- Several minor fixes and internal improvements

EMX 16.0.6.1

What's New?

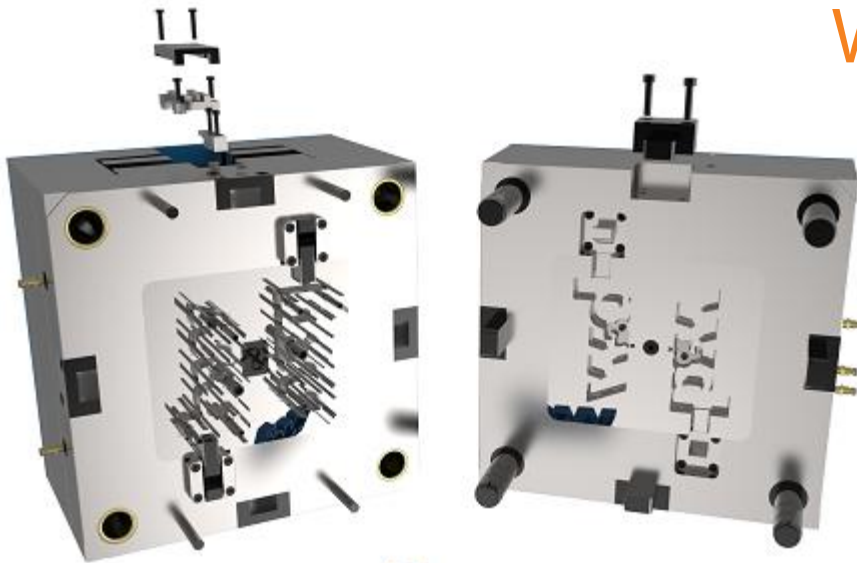


Enhancement

- Several bug fixed
- Update SmartHolechart to Version 16.0.6.0

EMX 16.0.5.1

What's New?

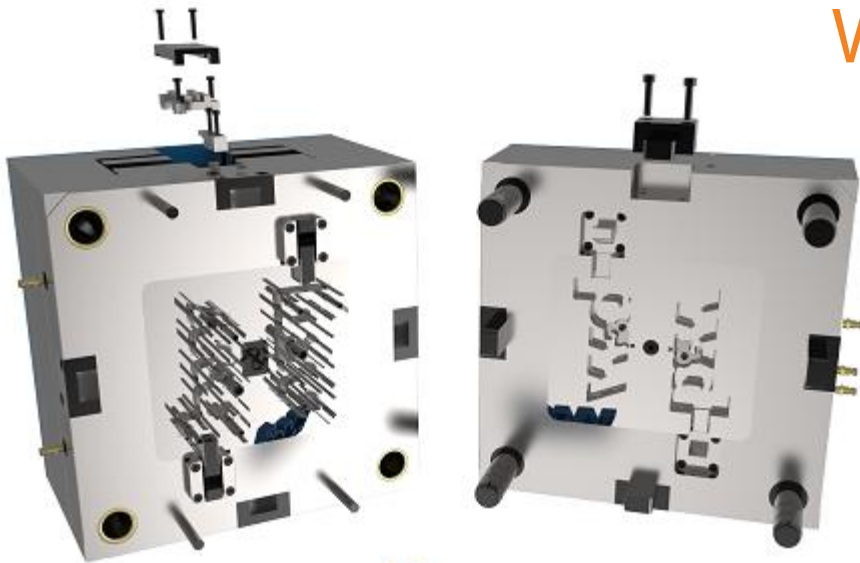


Enhancement

- Update existing MEUSBURGER components to state April 2024
- Enhancements for Engraved Texts for ejector pins:
 - New Options EJP_ENGRAVED_TEXT_TYPE: Sketch can be created as contour or middle line.
 - Parameter defined in PARAM_EJP_ENGRAVED_TEXT will only be created at ejector pin models.

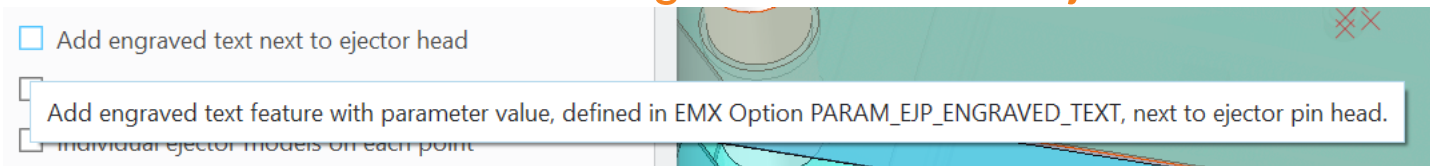
EMX 16.0.4.1

What's New?



Enhancement

New Feature: Assemble engraved texts for Ejector Pins



- New Option in Ejector Dialog: *Add engraved text next to ejector head*
- Text feature will be created in ejector model on head surface and next to head cutout UDF in plate.
- Text is controlled by relation and driven by a part parameter
- Part parameter must be defined with new Configuration Option *PARAM_EJP_ENGRAVED_TEXT* otherwise option in ejector dialog is disabled.
- New config file: *engraved_text_heights.cfg* to define valid text heights

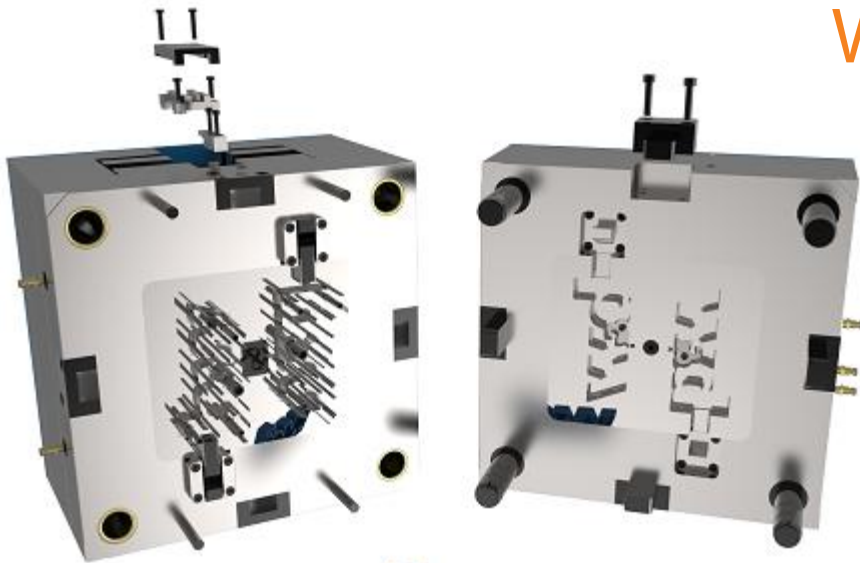


Enhancement

- Update existing HASCO components to state April 2024
- Update existing KNARR components to state April 2024
- Improve performance of additional chamfer creation in case of multiple point features.

EMX 16.0.4.0

What's New?

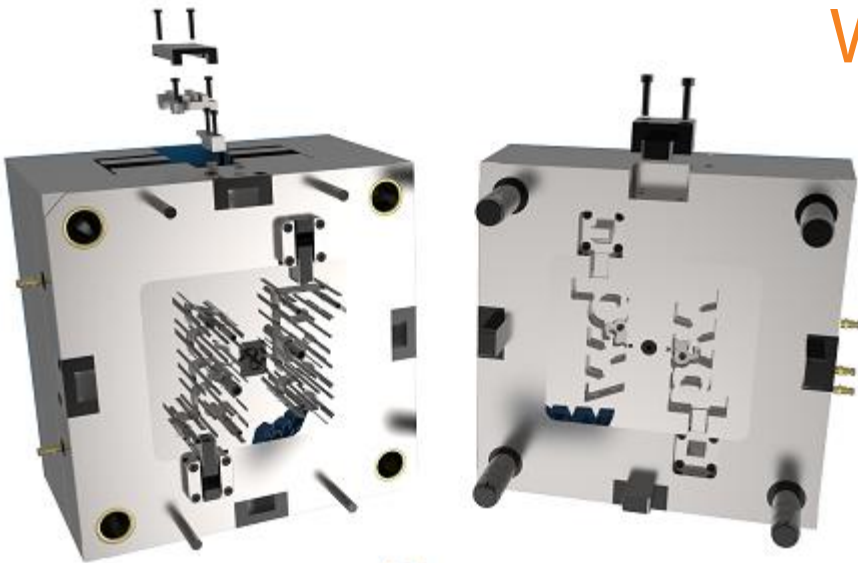


Enhancement

- Update existing Meusburger components to state January 2024

EMX 16.0.3.1

What's New?



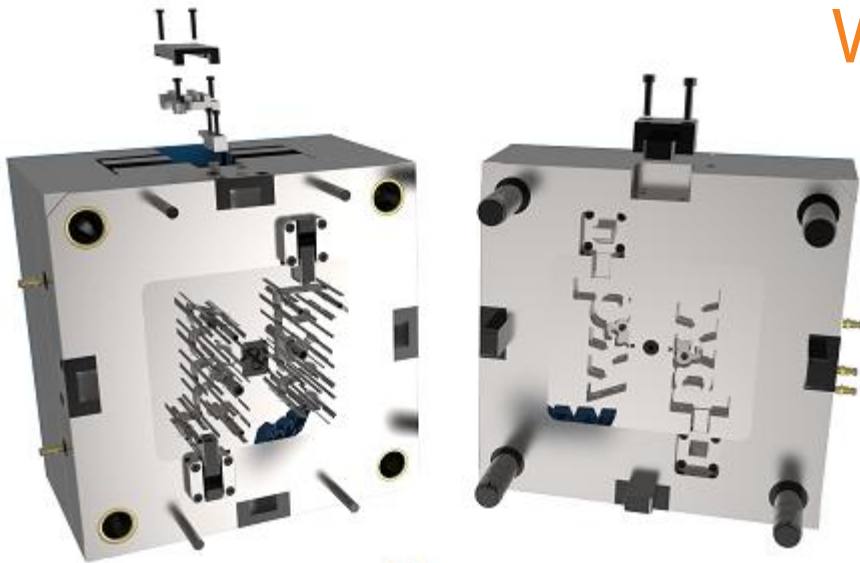
Enhancement

- New Stäubli CBX and CBI connectors for Hydraulics
- Improved Stäubli RMI and CBI connectors in cooling
- Overall improved functionality: Selectable option sealing and BF

- New Knarr Eyebolt screw 40811

EMX 16.0.3.0

What's New?



Enhancement

- New HASCO components:
 - Guide component: Z1300
 - Ejector Pins: DLC shouldered Z4430, cylindrical air-ventilated pin Z401
 - Top Interlocks: Cubic interlocks Z060 and Z080, spacer plate Z081.
 - Side Interlocks: Z085.
 - Attachment components: Flange Z167, Cycle Counters A5730, A5730HT, A57300, A57300HT, A5731, A5732
- Existing HASCO components updated to state of Summer 2023

Enhancement

- Component Editor: Enhanced functionality to edit subcomponent instances
 → Library Assemblies can be now fully defined in Component Editor.

Component Editor

BOM Data | Assembly References | Instances | Nominal Dimensions | Options | Features | UDFs | Subcomponents

Subcomponents: SIDEITLK_E1308

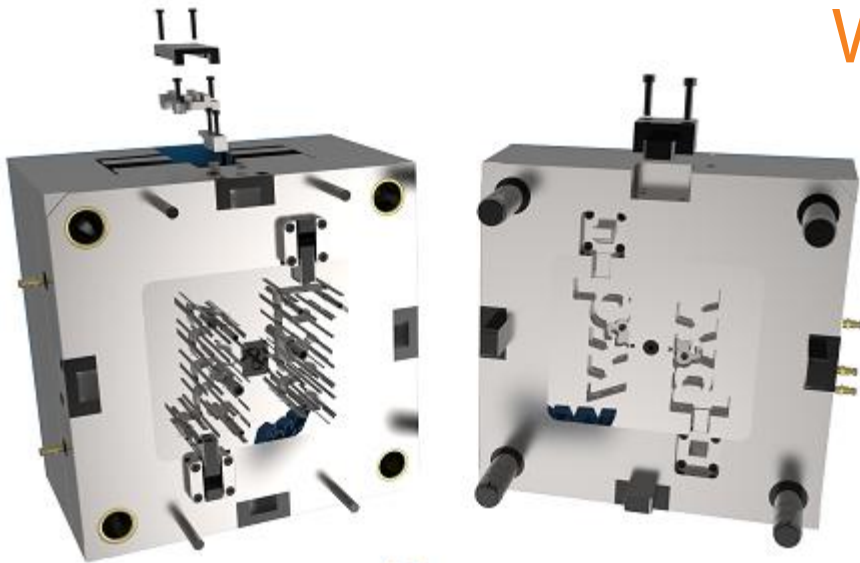
Type				SCR_LENGTH	SCR_DIA	Instances
1	SIDEITLK_E1308	SIDEITLK_E1308	1	SIDEITLK_E13082	6	3
2	SIDEITLK_E1308	46			12	6
3	SIDEITLK_E1308	50	E13081_50	E13082_50	16	6
4	SIDEITLK_E1308	60	E13081_60	E13082_60	20	8
5	SIDEITLK_E1308	76	E13081_76	E13082_70	25	8

Select subcomponent to edit instances

In case subcomponents exists selected from option menu.

EMX 16.0.2.0

What's New?

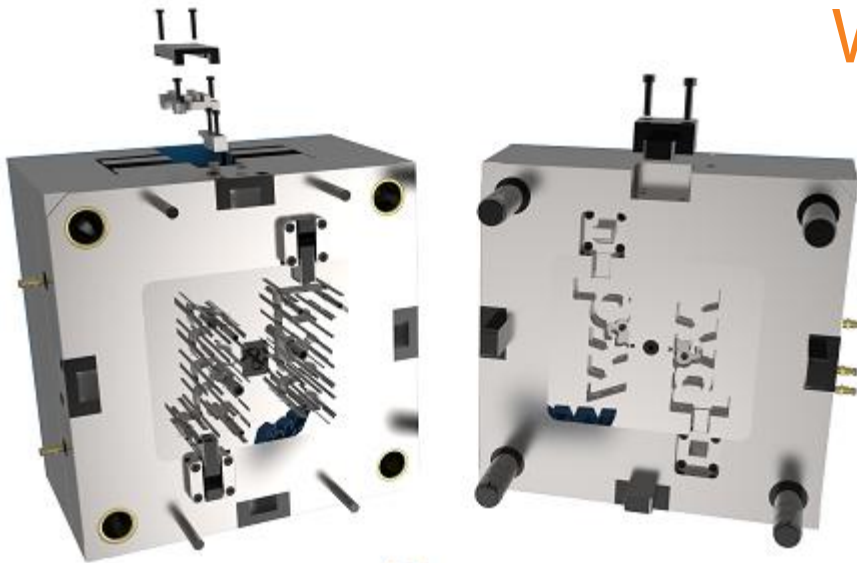


Enhancement

- EMX is integrated into Applications Group of Creo Parametric

EMX 16.0.0.0

What's New?



Enhancements

Compatible with new Creo 10.0.0.0