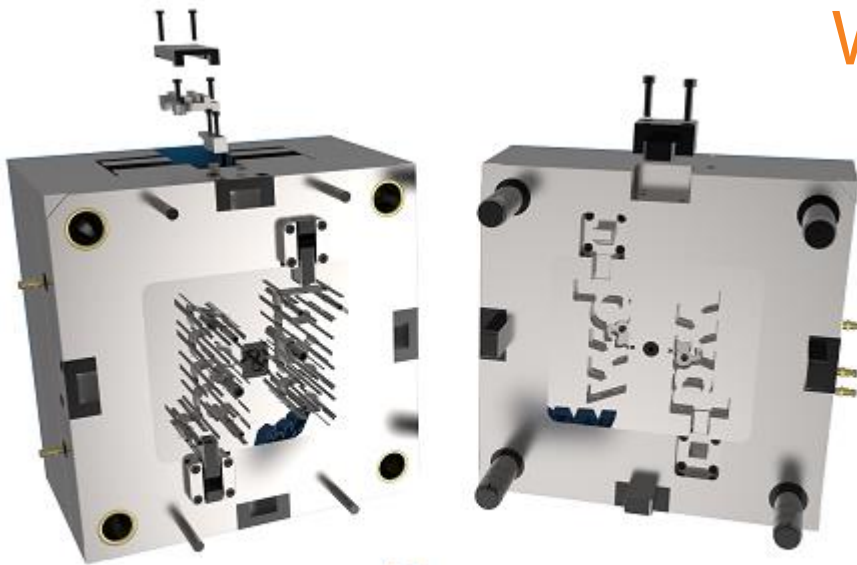


# EMX 17.0.1.1

What's New?



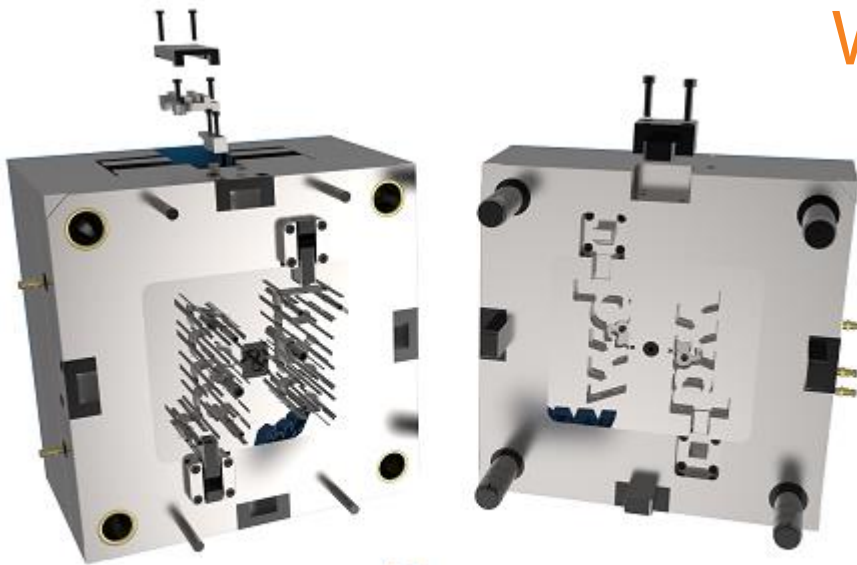
# Enhancement

---

- Update existing MEUSBURGER components to state April 2024
- Enhancements for Engraved Texts for ejector pins:
  - New Options EJP\_ENGRAVED\_TEXT\_TYPE: Sketch can be created as contour or middle line.
  - Parameter defined in PARAM\_EJP\_ENGRAVED\_TEXT will only be created at ejector pin models.

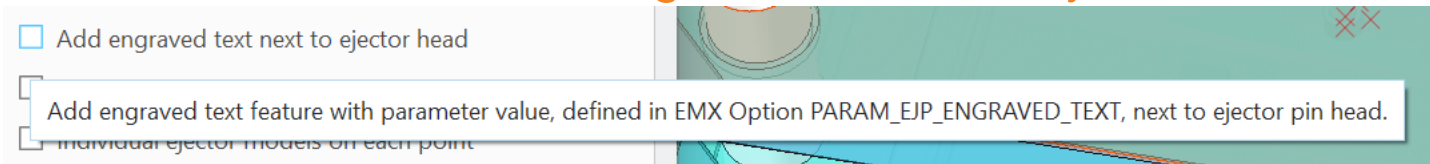
# EMX 17.0.0.1

What's New?



# Enhancement

## New Feature: Assemble engraved texts for Ejector Pins



- New Option in Ejector Dialog: *Add engraved text next to ejector head*
- Text feature will be created in ejector model on head surface and next to head cutout UDF in plate.
- Text is controlled by relation and driven by a part parameter
- Part parameter must be defined with new Configuration Option *PARAM\_EJP\_ENGRAVED\_TEXT* otherwise option in ejector dialog is disabled.
- New config file: *engraved\_text\_heights.cfg* to define valid text heights



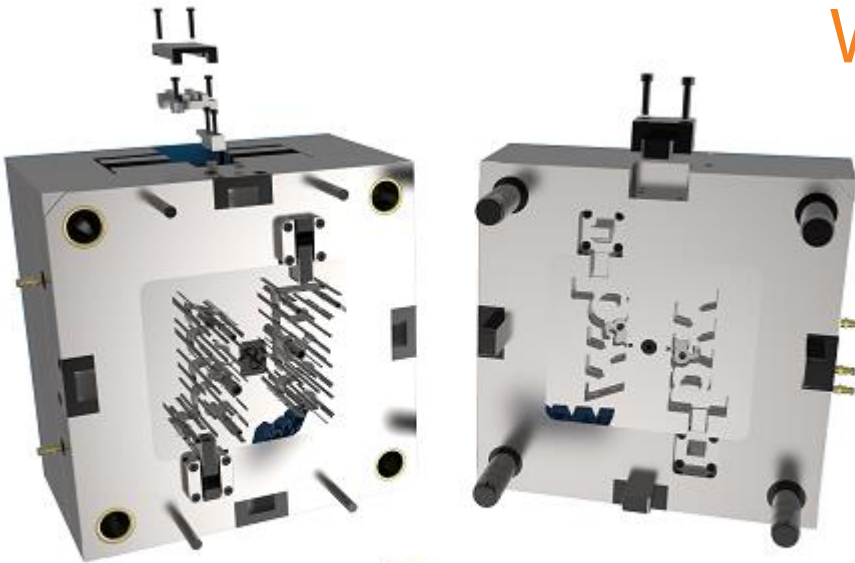
# Enhancement

---

- Update existing HASCO components to state April 2024
- Update existing KNARR components to state April 2024
- Improve performance of additional chamfer creation in case of multiple point features.

# EMX 17.0.0.0

What's New?



# Enhancement

---

- EMX ready for Creo 11.0.0.0