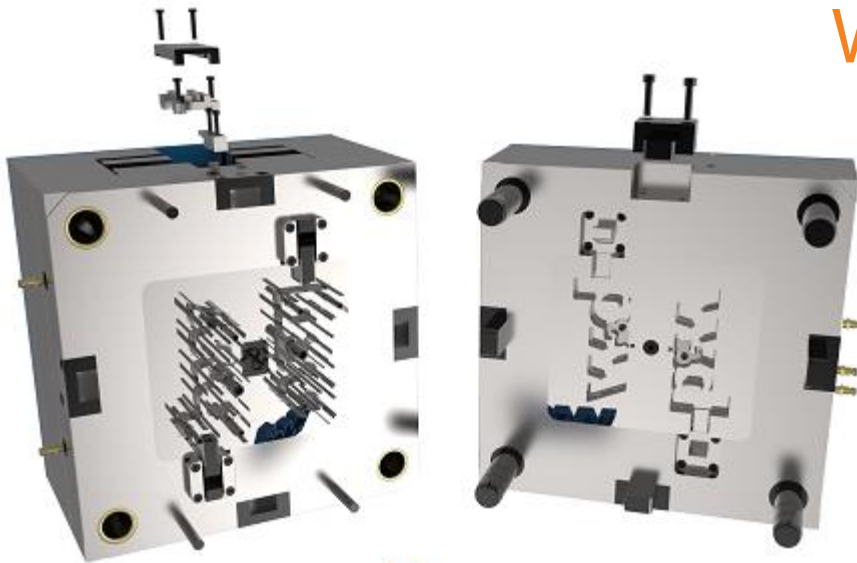


EMX 17.0.2.3

What's New?

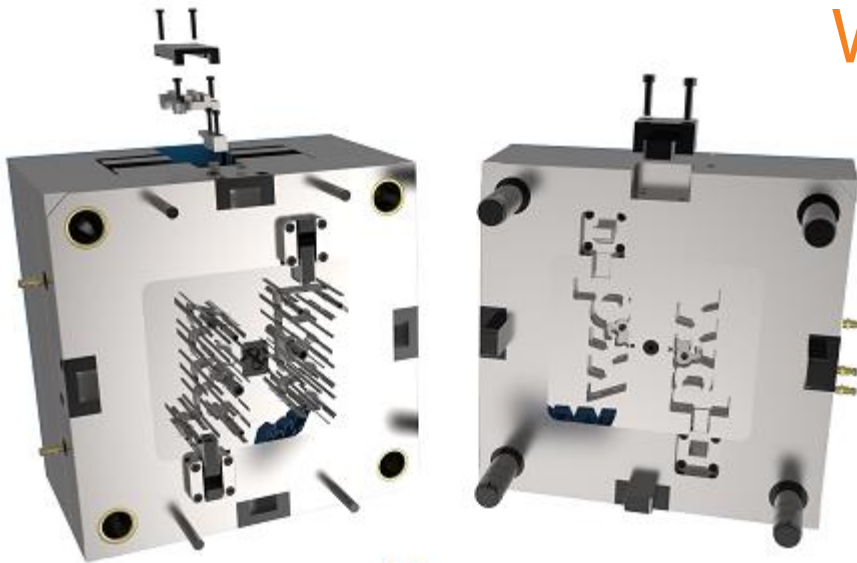


Enhancement

- Update Smart Holechart to Version 17.0.2.1
- Allow flexible items for guide components
- Several minor fixes and internal improvements

EMX 17.0.2.1

What's New?

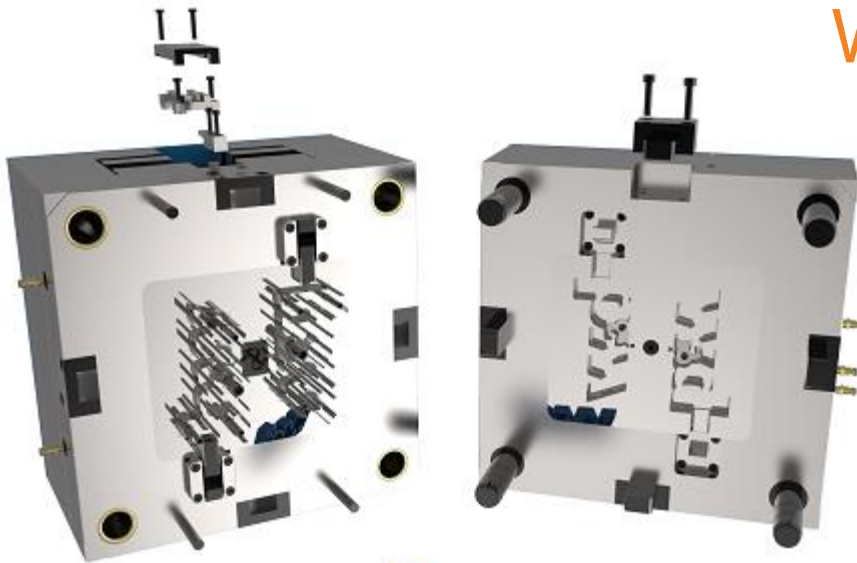


Enhancement

- Several fixes
- Update SmartHolechart to Version 17.0.2.0

EMX 17.0.1.1

What's New?

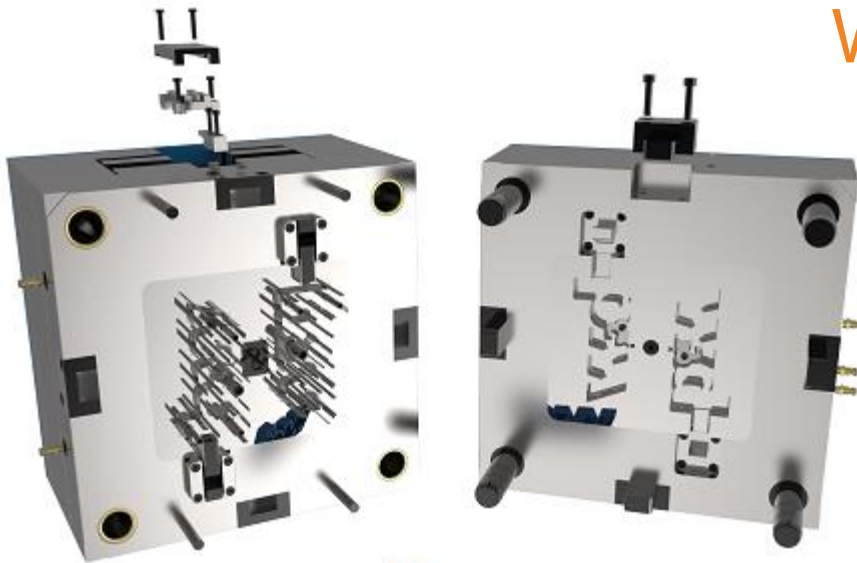


Enhancement

- Update existing MEUSBURGER components to state April 2024
- Enhancements for Engraved Texts for ejector pins:
 - New Options EJP_ENGRAVED_TEXT_TYPE: Sketch can be created as contour or middle line.
 - Parameter defined in PARAM_EJP_ENGRAVED_TEXT will only be created at ejector pin models.

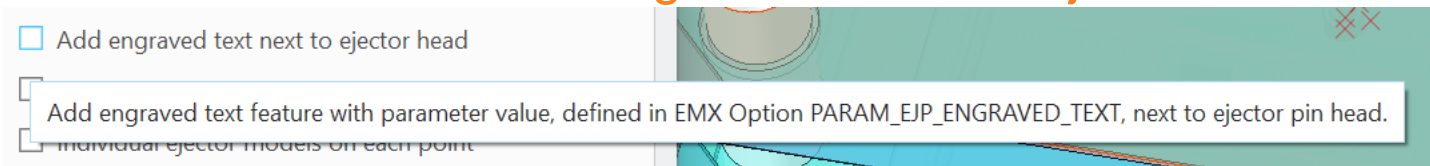
EMX 17.0.0.1

What's New?



Enhancement

New Feature: Assemble engraved texts for Ejector Pins



- New Option in Ejector Dialog: *Add engraved text next to ejector head*
- Text feature will be created in ejector model on head surface and next to head cutout UDF in plate.
- Text is controlled by relation and driven by a part parameter
- Part parameter must be defined with new Configuration Option *PARAM_EJP_ENGRAVED_TEXT* otherwise option in ejector dialog is disabled.
- New config file: *engraved_text_heights.cfg* to define valid text heights

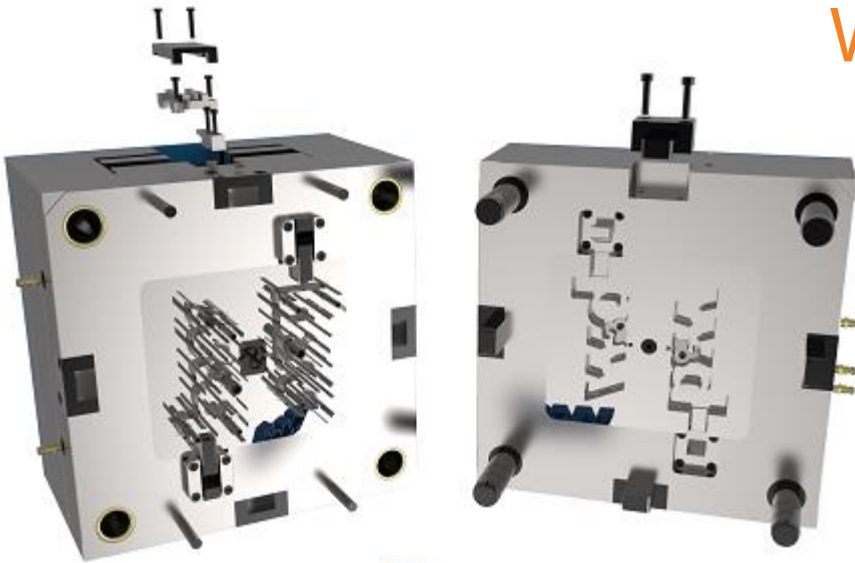


Enhancement

- Update existing HASCO components to state April 2024
- Update existing KNARR components to state April 2024
- Improve performance of additional chamfer creation in case of multiple point features.

EMX 17.0.0.0

What's New?



Enhancement

- EMX ready for Creo 11.0.0.0