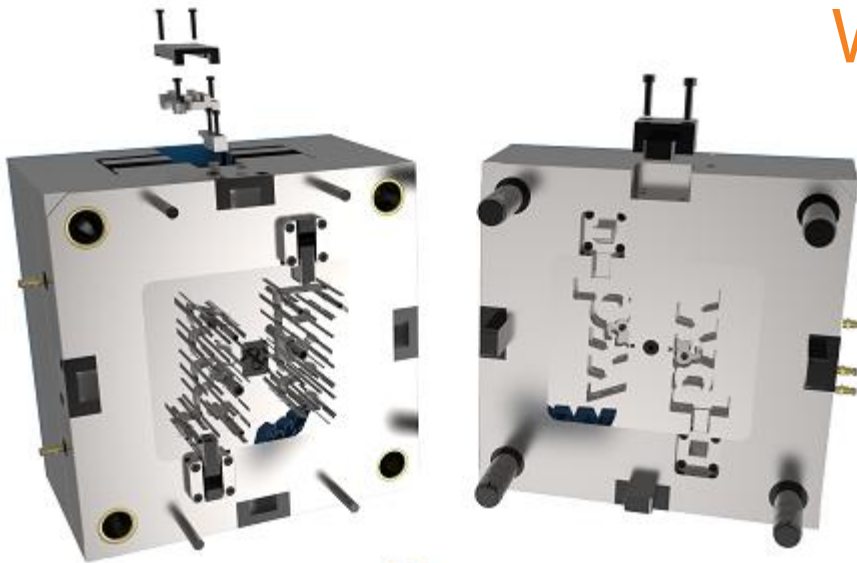


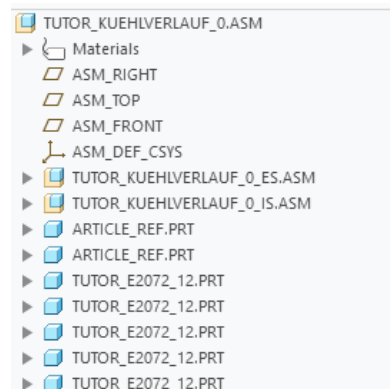
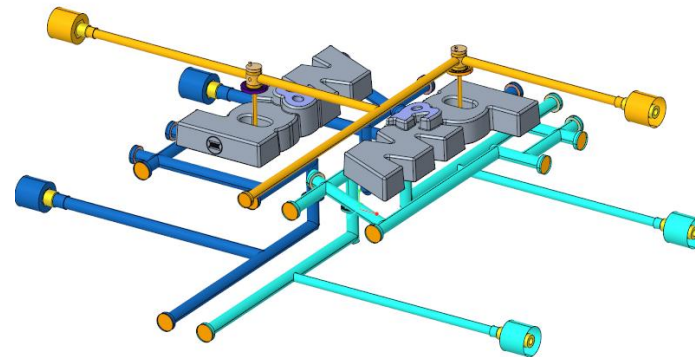
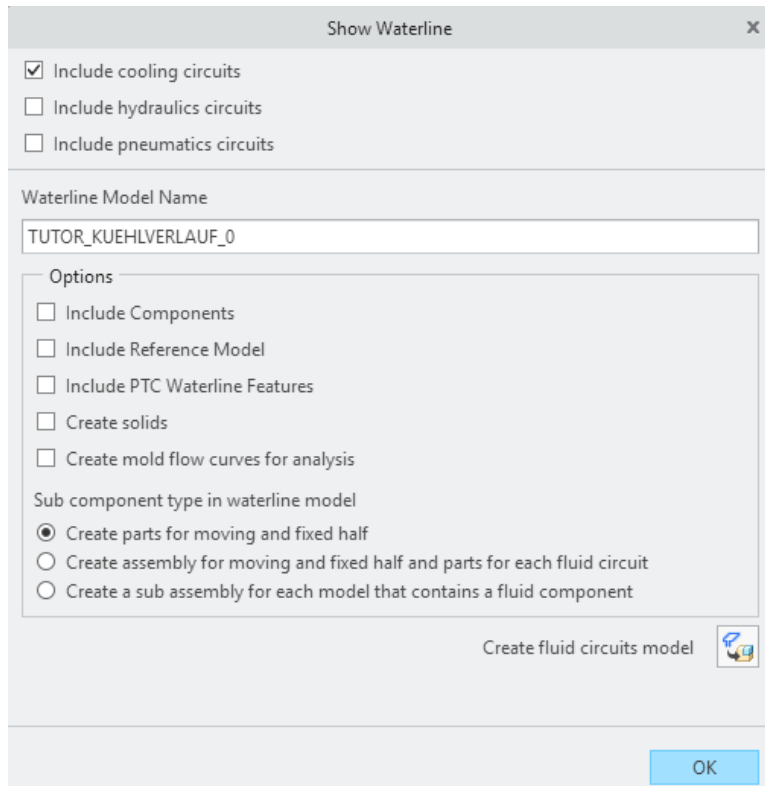
EMX 17.0.4.0

What's New?



Enhancement

- Improve the Extract fluid circuit functionality
 1. Improve algorithm to detect related fluid bores
 2. Implement new radio group with option to assemble a subassembly for fixed and moving half, but also a part for each cooling circuit
 3. Use progress bar to avoid freezing of Creo window



Enhancement

- Implement solution to directly use measured values from Tiny Measure Tools in nominal values of component dialog
 - Select dimension in nominal values table
 - Open Tiny Measure Tools with Right Mouse Click
 - Measure diameter, length or offset
 - Best fit value will be used in nominal value table

Dimension Name	Value	Type
DM1 - Diameter	0.4	
LG - Length	100	
OFFSET - Offset	0	
REF_ANGLE - Angle	0	
REF1 - Reference Dista	56.000	

EMX Question

Measured diameter: 4.500
The best fit value in the option menu is: 4.5

Use the best fit result in nominal value?

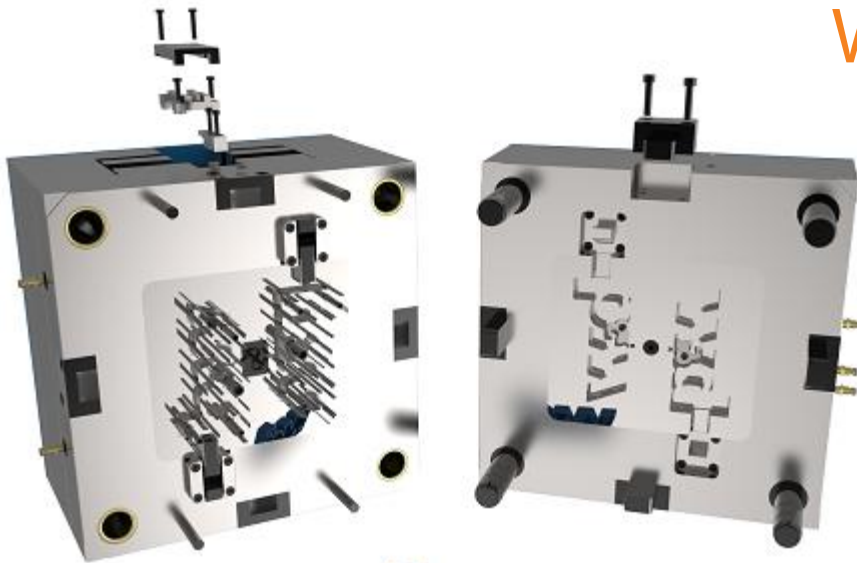
Dimension Name	Value	Type
DM1 - Diameter	4.5	
LG - Length	100	
OFFSET - Offset	0	
REF_ANGLE - Angle	0	
REF1 - Reference Dista	56.000	

Enhancement

- Update SmartHolechart to Version 17.0.4.0
- New Components Meusburger Guide E1332 and E1146
- Implement new cooling O-rings from new suppliers Hagenauer and Arcus
- Add Ermanno Balzi cooling component TR, TRI, RF, RFP, RL, RLS

EMX 17.0.3.1

What's New?



Enhancement

New HASCO cooling components:

- Z87: Hose Nipple
- Z87VA: Hose Nipple, stainless steel
- Z9425: Sealing plug with O-Ring
- Z9425VA: Sealing plug with O-Ring, stainless steel
- ZI81: Hose Nipple, Open Flow, USA

Enhancement


- Implement new config option BOM_ALLOW_EDIT_PROJECT_PARAMS to allow manual editing of project parameters in BOM

Default Value is: NO

Behavior NO:

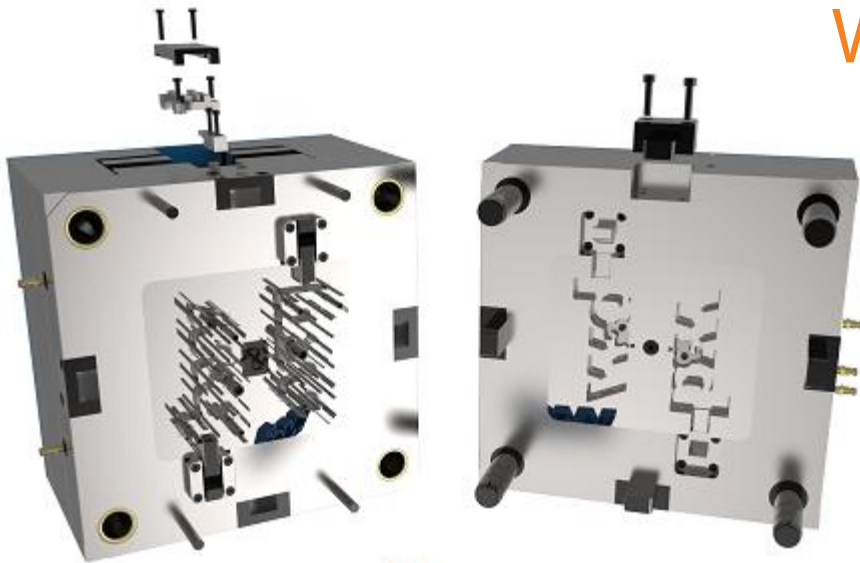
- Project parameters are disabled in Bill of Materials List.
- Value can not be edited
- Value is always overwritten from top assembly

Behavior YES:

- Project parameter can be edited in Bill of Materials
 - Value needs to be unlocked in BOM
- 
- Decorative curved lines in the bottom right corner, consisting of a thick grey curve and a thin orange curve below it.

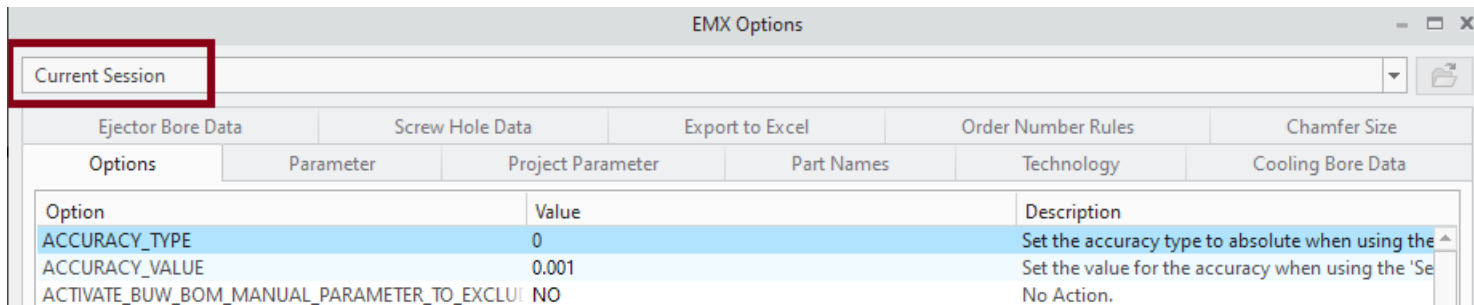
EMX 17.0.3.0

What's New?



Enhancement

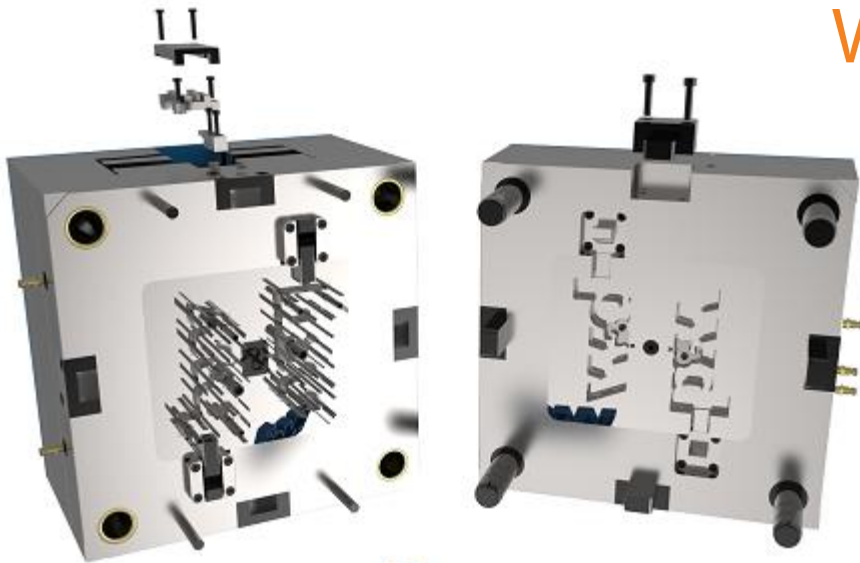
- Introduce functionality to save configuration to current session only. “Current Session” can be selected in Options Dialog from option menu



- Several minor fixes and internal improvements

EMX 17.0.2.3

What's New?

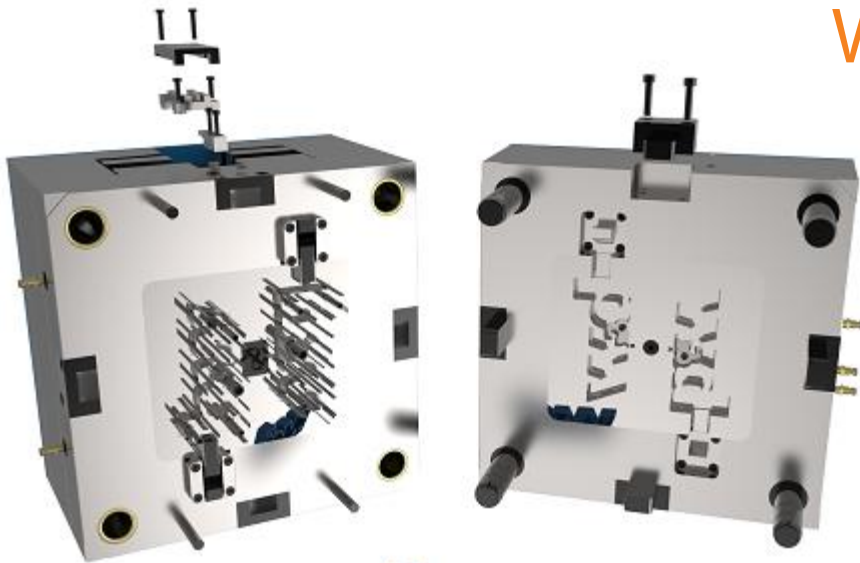


Enhancement

- Update Smart Holechart to Version 17.0.2.1
- Allow flexible items for guide components
- Several minor fixes and internal improvements

EMX 17.0.2.1

What's New?

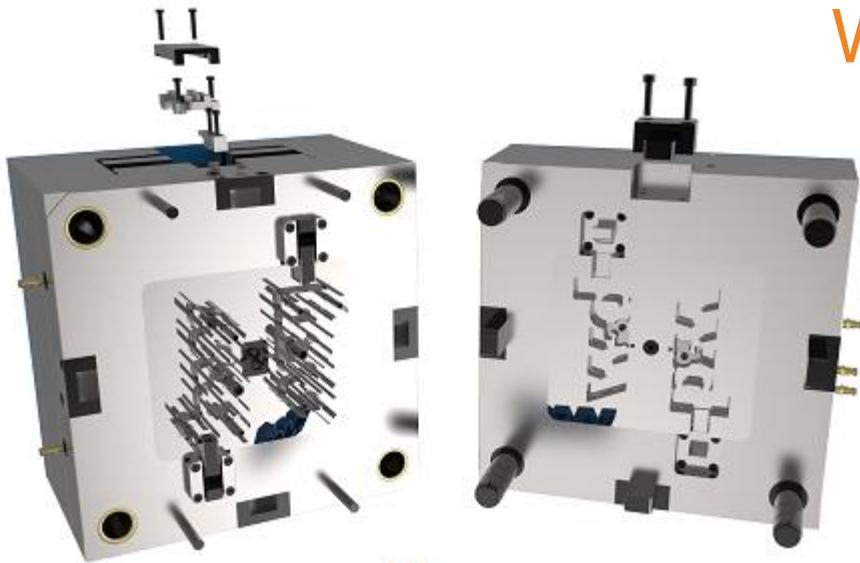


Enhancement

- Several fixes
- Update SmartHolechart to Version 17.0.2.0

EMX 17.0.1.1

What's New?

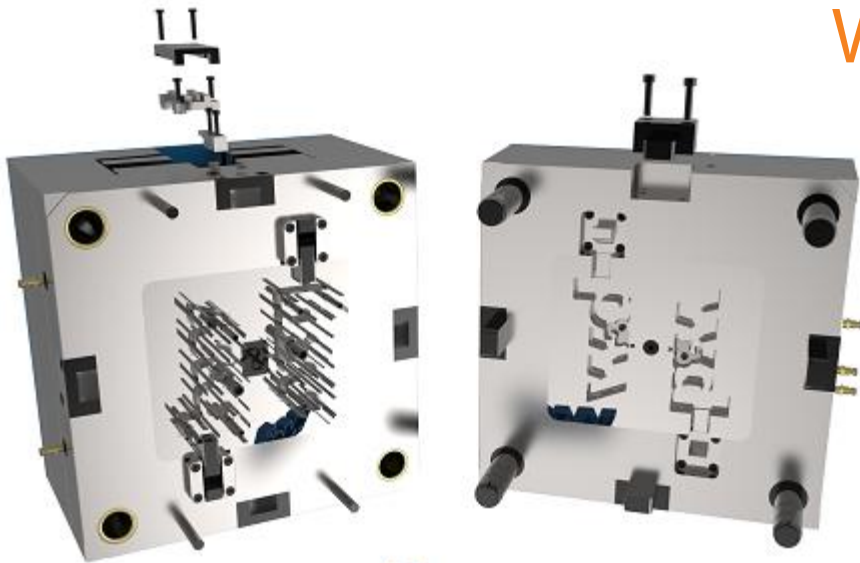


Enhancement

- Update existing MEUSBURGER components to state April 2024
- Enhancements for Engraved Texts for ejector pins:
 - New Options EJP_ENGRAVED_TEXT_TYPE: Sketch can be created as contour or middle line.
 - Parameter defined in PARAM_EJP_ENGRAVED_TEXT will only be created at ejector pin models.

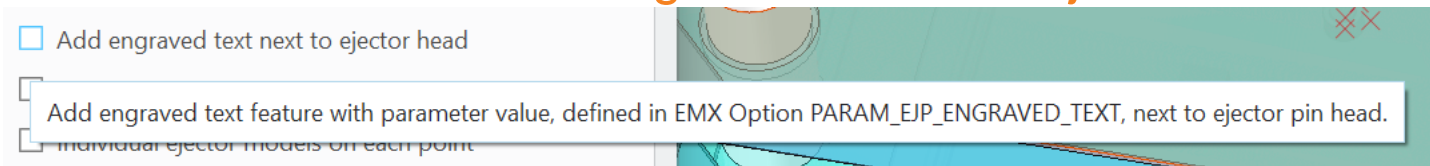
EMX 17.0.0.1

What's New?



Enhancement

New Feature: Assemble engraved texts for Ejector Pins



- New Option in Ejector Dialog: *Add engraved text next to ejector head*
- Text feature will be created in ejector model on head surface and next to head cutout UDF in plate.
- Text is controlled by relation and driven by a part parameter
- Part parameter must be defined with new Configuration Option *PARAM_EJP_ENGRAVED_TEXT* otherwise option in ejector dialog is disabled.
- New config file: *engraved_text_heights.cfg* to define valid text heights

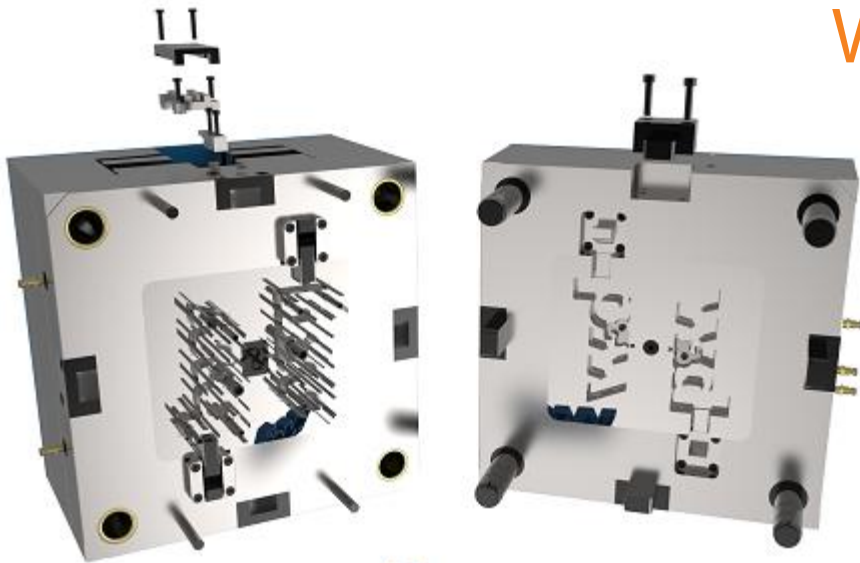


Enhancement

- Update existing HASCO components to state April 2024
- Update existing KNARR components to state April 2024
- Improve performance of additional chamfer creation in case of multiple point features.

EMX 17.0.0.0

What's New?



Enhancement

- EMX ready for Creo 11.0.0.0