

EMX 12.0.0.2

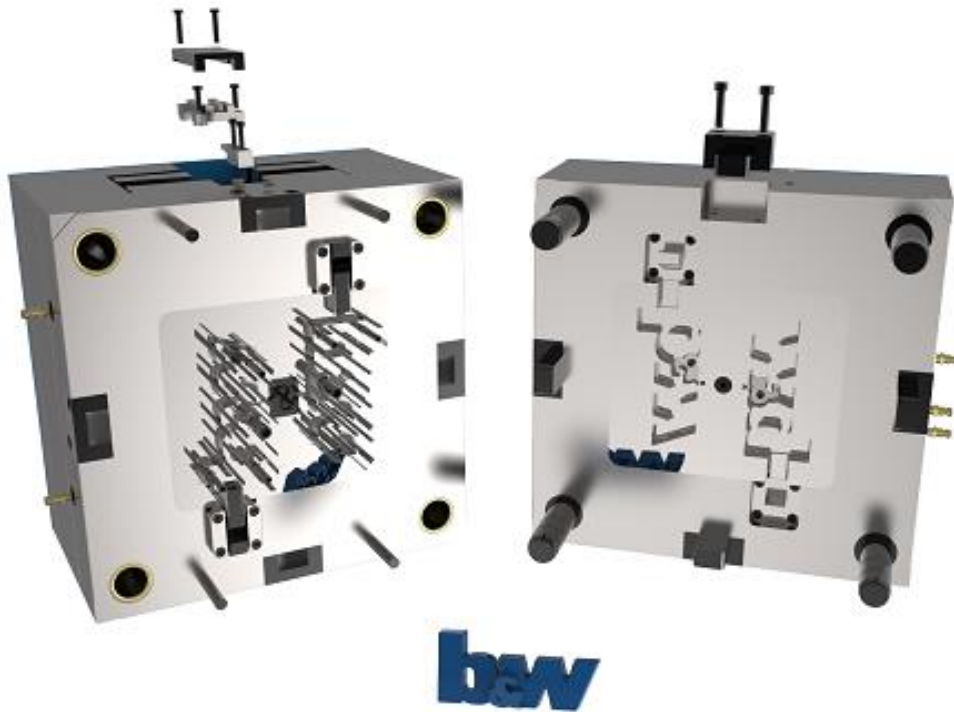
What's New?



Enhancements

New EMX 12 Tutorial is now available!

- We finally finished our new Tutorial
- You can download the PDF here: [Tutorial](#)

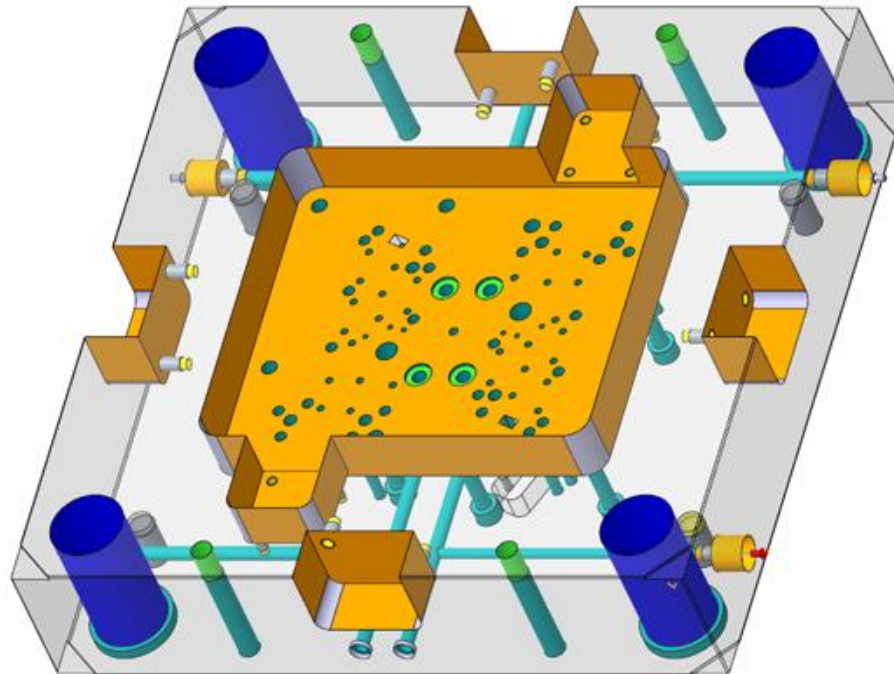


Enhancements

EMX is now SMARTColor ready!

- Apply color coding rules with B&W SMARTColor application
- More information on our website: [SMARTColor in EMX](#)

R 192 G 192 B 192		$\sqrt{Ra\ 0.8-6.3}$
R 0 G 175 B 175	$\pm 0,10$	$\sqrt{Ra\ 6.3}$
R 255 G 175 B 0	$\pm 0,10$	
R 255 G 255 B 0	$\pm 0,10$	
R 0 G 0 B 255	H7 $\pm 0,01$	$\sqrt{Ra\ 1.6-3.2}$
R 183 G 183 B 220	$\pm 0,10$	$\sqrt{Ra\ 6.3}$
R 64 G 255 B 64	$\pm 0,05$	$\sqrt{Ra\ 3.2}$
R 255 G 128 B 0	$\pm 0,01$	$\sqrt{Ra\ 1.6-3.2}$



Enhancements

New STRACK Z4 latch lock assembly

- New assembly contains all variation of the Z4 latch lock

STRACK[®]
NORMALIEN

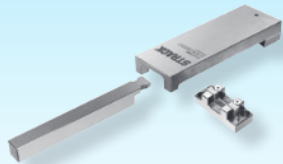
Entformungselemente – indirekt | Demoulding elements – indirect
Éléments de démoulage – indirects

Klinkenzüge

Latch locks

Ouvres-moules

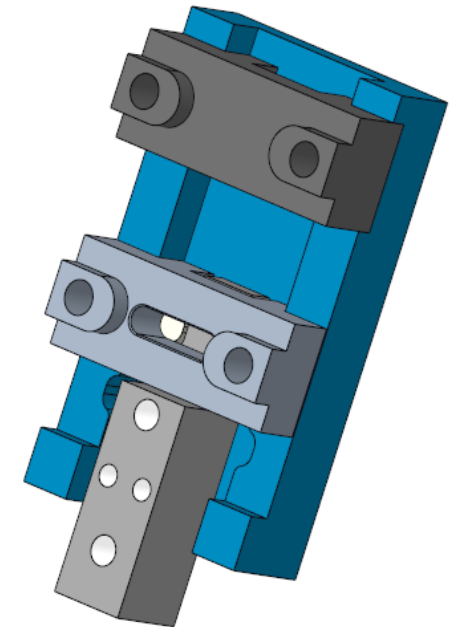
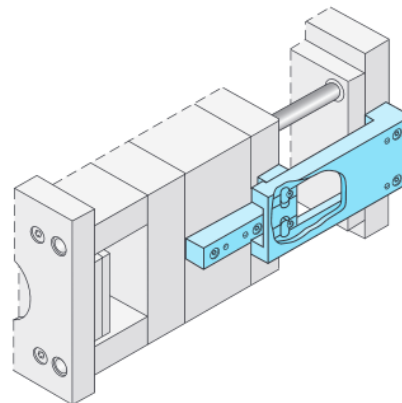
DLC 



Z4-1-

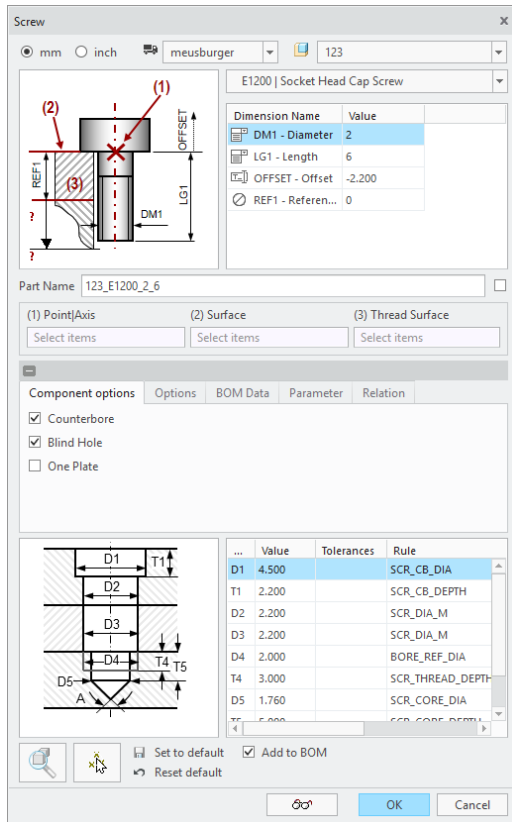
i deutsch 6.84-94
english 6.95-105
français 6.106-116

 Z4-1-Type

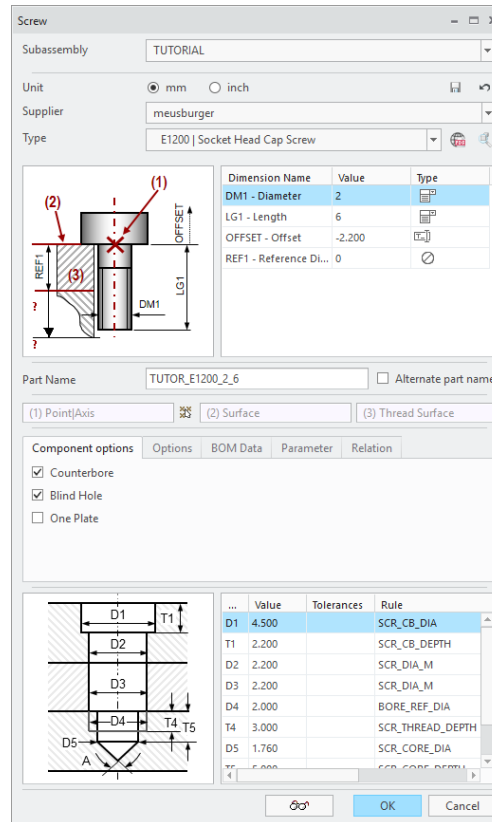


Enhancements

Streamlined UI of Component Dialog:



• Old



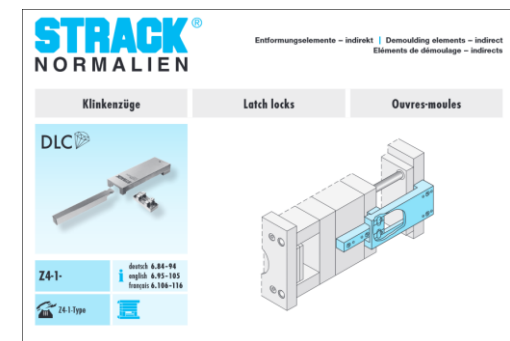
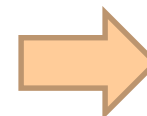
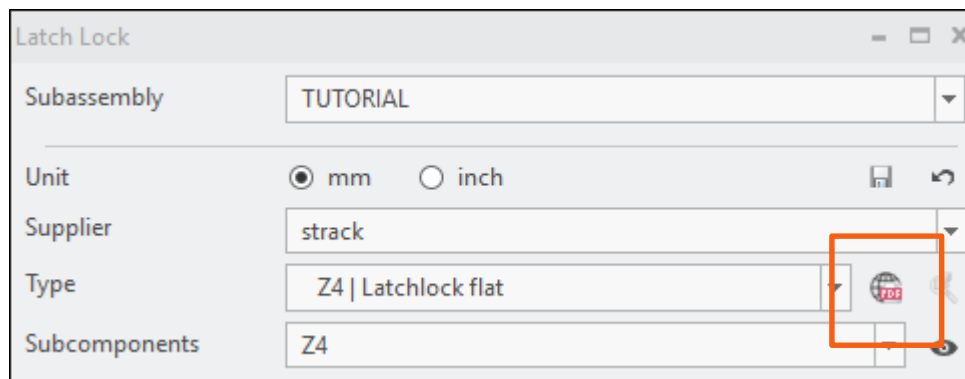
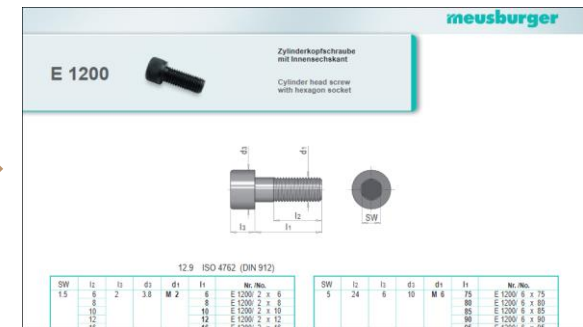
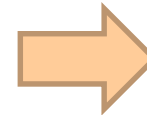
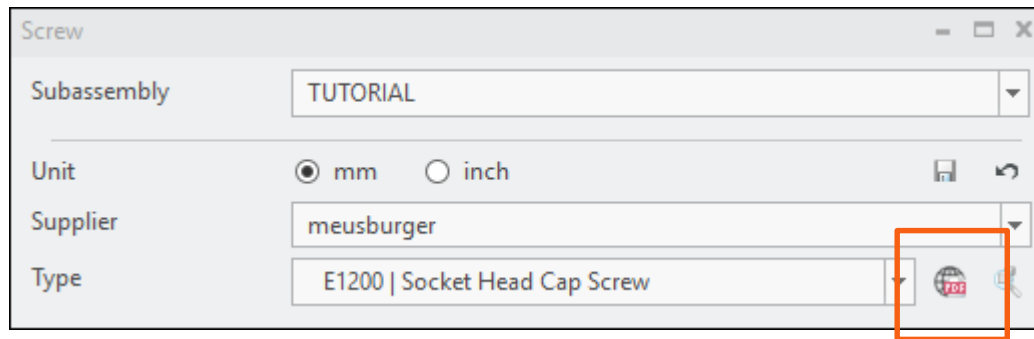
• New

- Type selection improved
- Buttons moved from bottom area to related UI elements
- Dialog is resizable and can be maximized
- Missing UI descriptions added

Enhancements

New weblink button in Component Dialog:

- Access data sheets on supplier website with one click!



Plates

HASCO plates updated:

- All plates and instance updated to latest revision

New KNARR plates added:

- KNARR – F (Meusburger compatible) and K (Hasco compatible) plates are now available

Components

New KNARR guide components:

- 551000, 551000DLC, 551010, 551010DLC and 551100

New KNARR ejector pins:

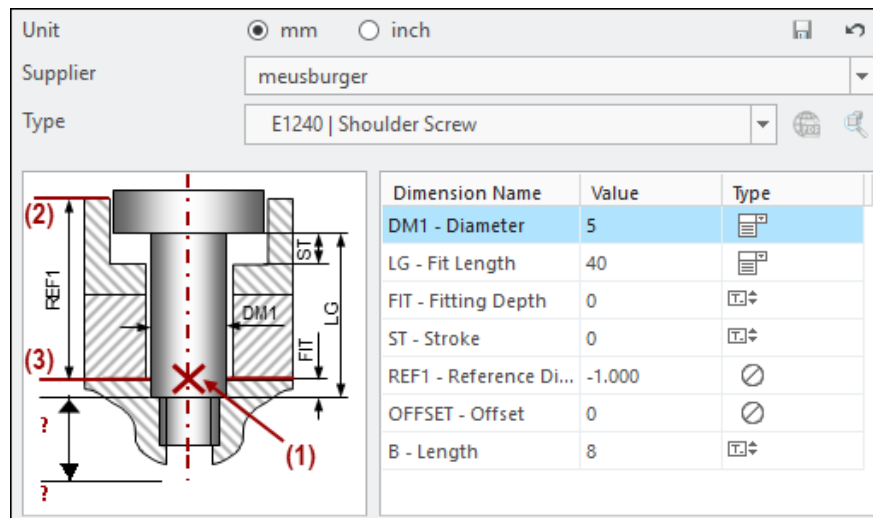
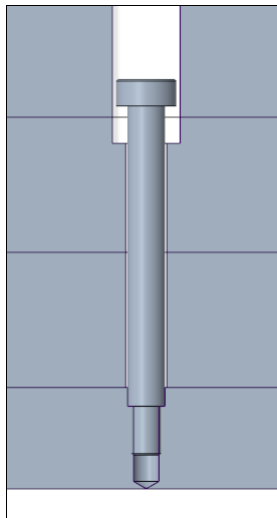
- 539111, 39111DLC and 39414

New KNARR insulation plates:

- 77335 and 77336

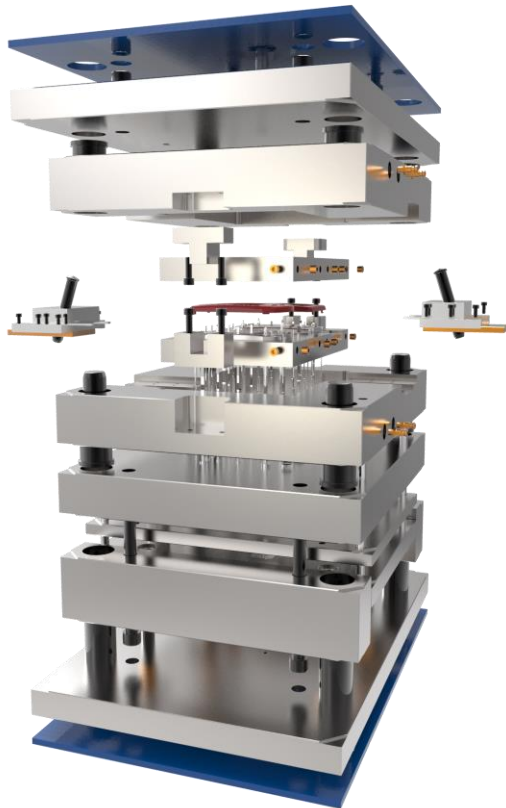
Improved shoulder screw functionality:

- Meusburger E1240, Hasco Z38, Knarr 40038, DME WZ412 and DIN 7379



EMX 12.0.0.1

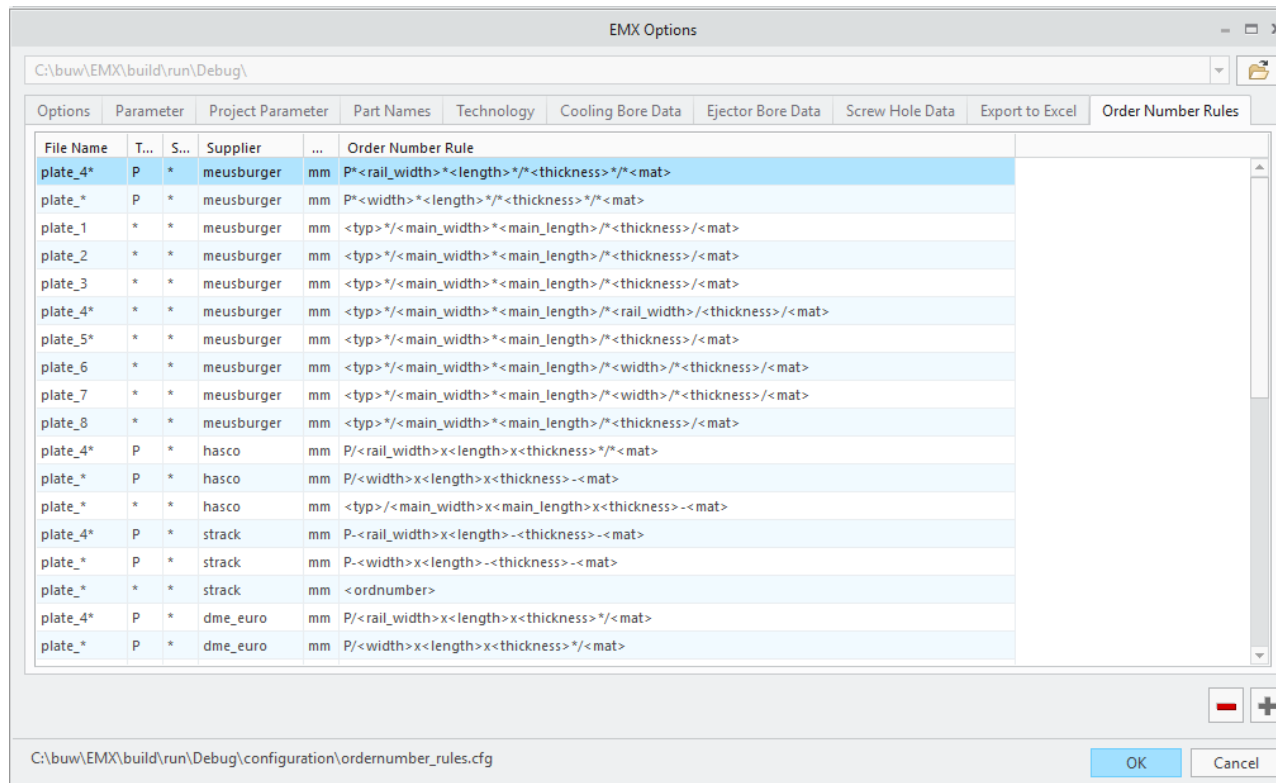
What's New?



Enhancements

New configuration section: Define custom order number rules

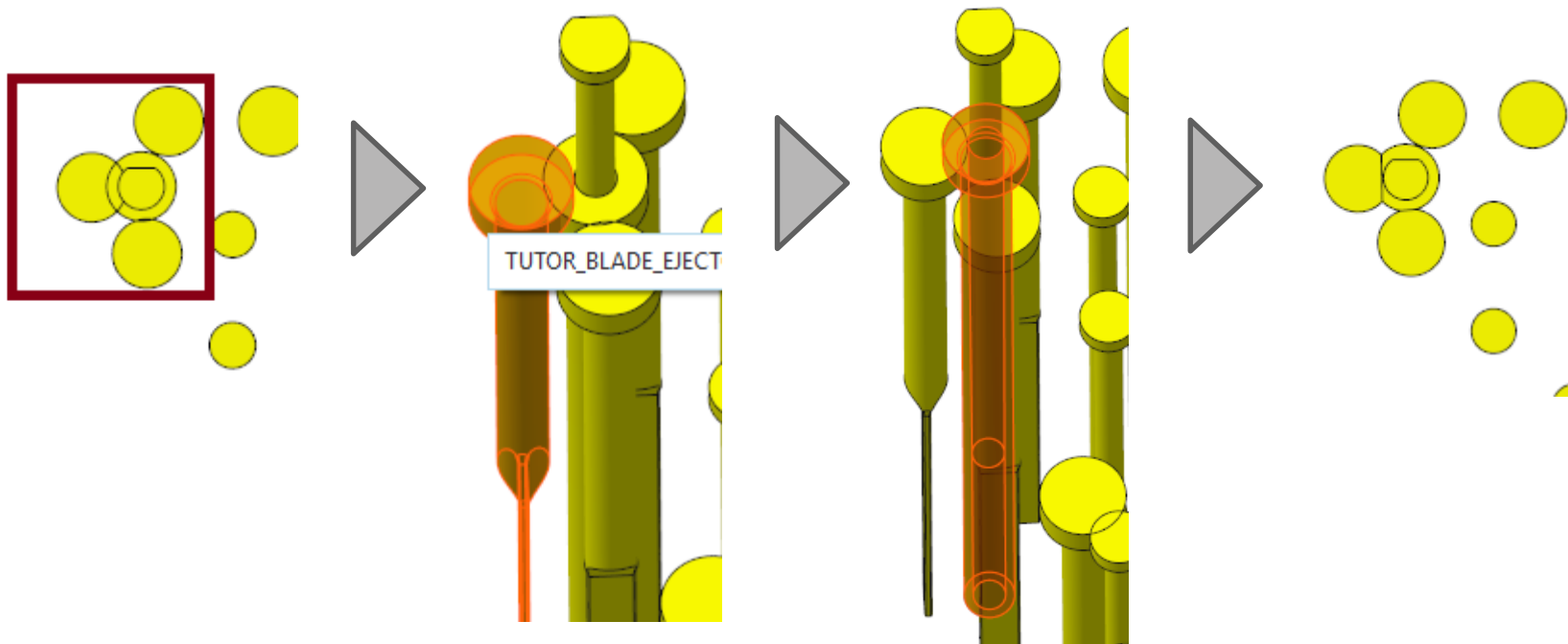
- Rules can now be different for different suppliers, type, units and file names



Enhancements

New Feature: Trim Ejector Pin heads against each other

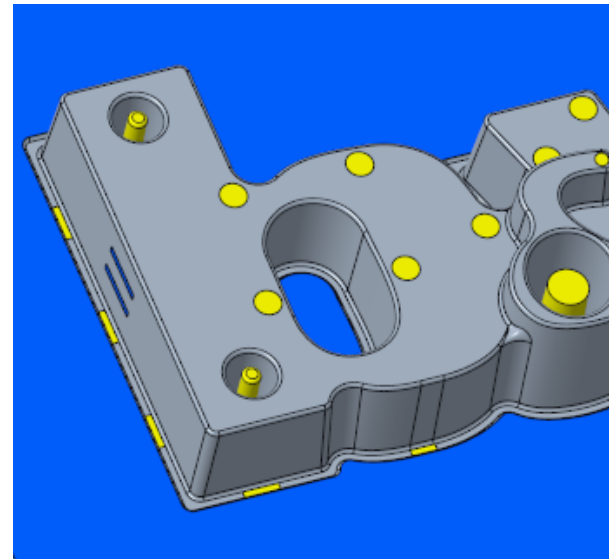
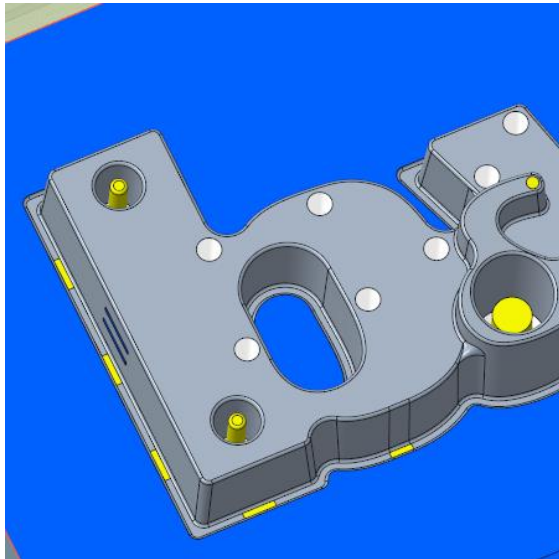
- Interfering ejector pin heads can be trimmed by selecting to different ejector pins



Enhancements

New Feature: Update Existing Ejector Pins Dialog

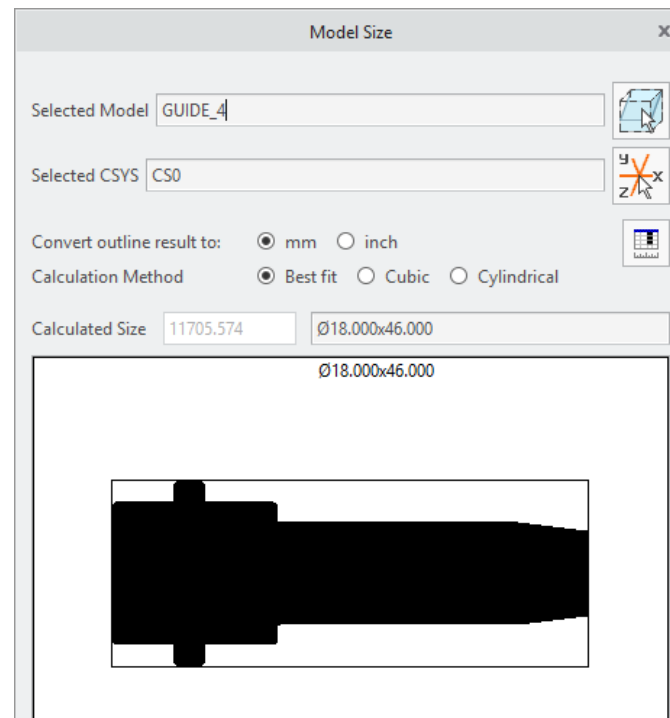
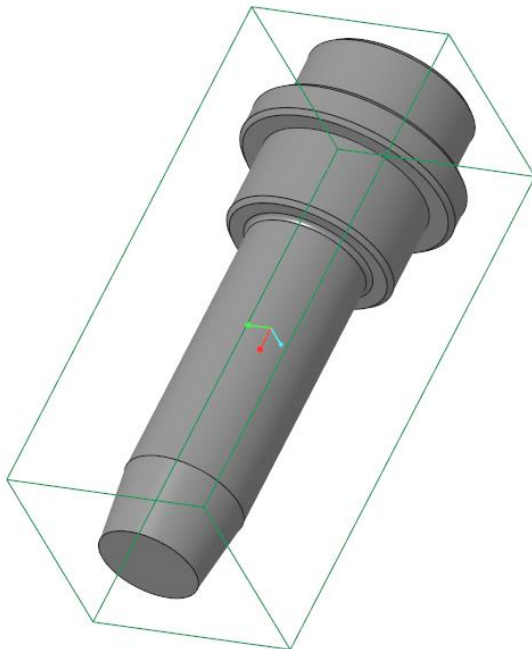
- New command in Ribbon
- Update ejector pins length and order number in case required reference distance has changed.



Enhancements

Improvement for Model Size Dialog

- Display outline values in drawing area
- Allow user to toggle between cubical and cylindrical result in case cylindrical result was determined.
- Improve algorithm to detect cylindrical parts



Enhancements

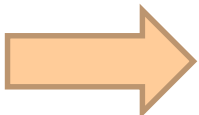
Improved performance of parameter read and write function

Reduce time working with EMX!

- Assembling of Components

 i.e. 240 Ejector Pins: ~45 % faster

- Bill of Materials

 i.e. Open Bill Of Materials Dialog: ~ 40 % faster
i.e. Close Bill Of Materials Dialog: ~ 55 % faster

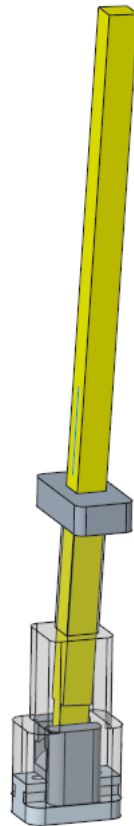
Enhancements

New MEUSBURGER Lifter assemblies added

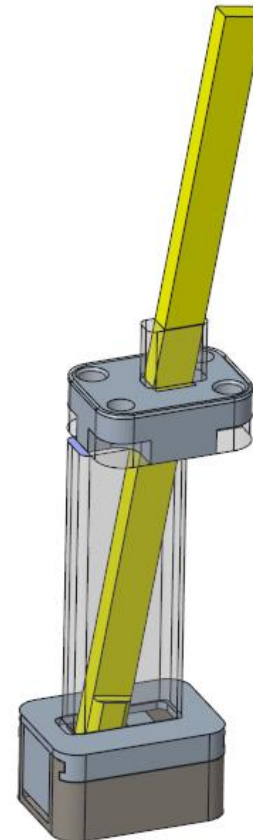
- Additional improvement: Trimmed body can be displayed in Preview



- E3244 + E3240



- E3246 + E3240

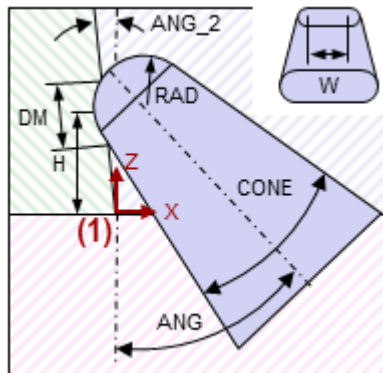


- E32481 +
E3248 +
E3249

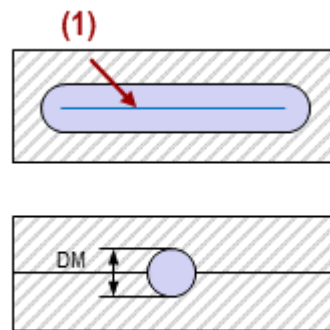
Enhancements

New Runner Library Components

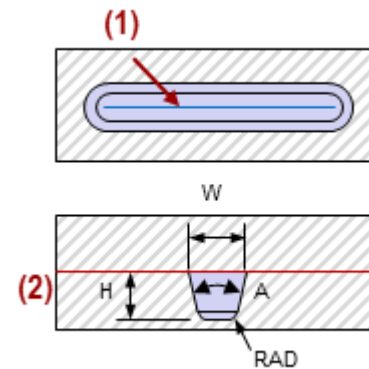
- With the new library components and UDFs runners can be designed easily.



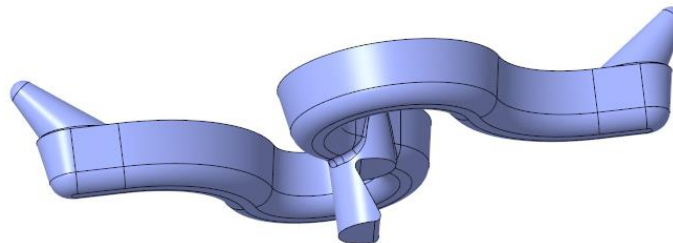
- Conic Gate



- Round runner section UDF



- Trapezoid runner section UDF




New Components

MEUSBURGER

- New Cooling Components: O-Ring E21311
- New Ejector Pins: E17003 and E1723
- New Side Interlocks: W44, Z38,Z46

HASCO

- New slide plates Z555, Z556 and Z557
 - New and updated Ejector Pins Z412, Z4650, Z4651, Z4670, Z4671, Z413, Z443, Z457, Z461, Z465, Z44, Z441, Z45 and Z45
 - New Guides Z14 and Z1105
 - New Cooling Components Z9430 and Z9400
- 
- A decorative graphic element consisting of a thick grey curved line and a thin orange curved line at the bottom right of the slide.

Updated Components

MEUSBURGER

- Update E-Components to latest state: 1st quarter 2019

HASCO

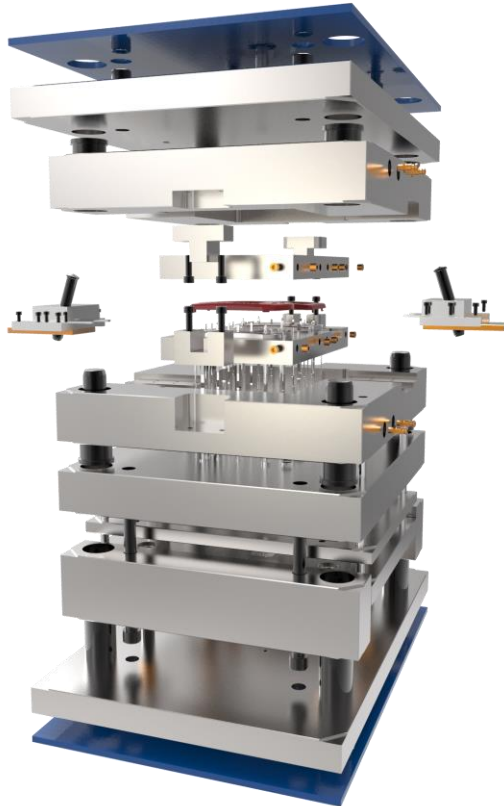
- Remove deprecated Z30 screw
- Screws: Z30 and Z33
- Knockouts: Z02
- Locating Rings: K100, K107, K500, K501, K505, K506, K1000, Z7510, Z7515, Z7520, Z7525, Z7530, Z7535 and Z7540.
- Dowel Pins: Z25 and Z26
- Guides: Z01, Z010, ZU10, Z20, Z040 and Z0100
- Cooling Components: Z94, Z940 and Z9661

DIN

- More screw lengths are available for DIN screws
- 
- A decorative curved line in the bottom right corner, consisting of a thick grey arc and a thin orange arc below it.

EMX 12.0.0.0

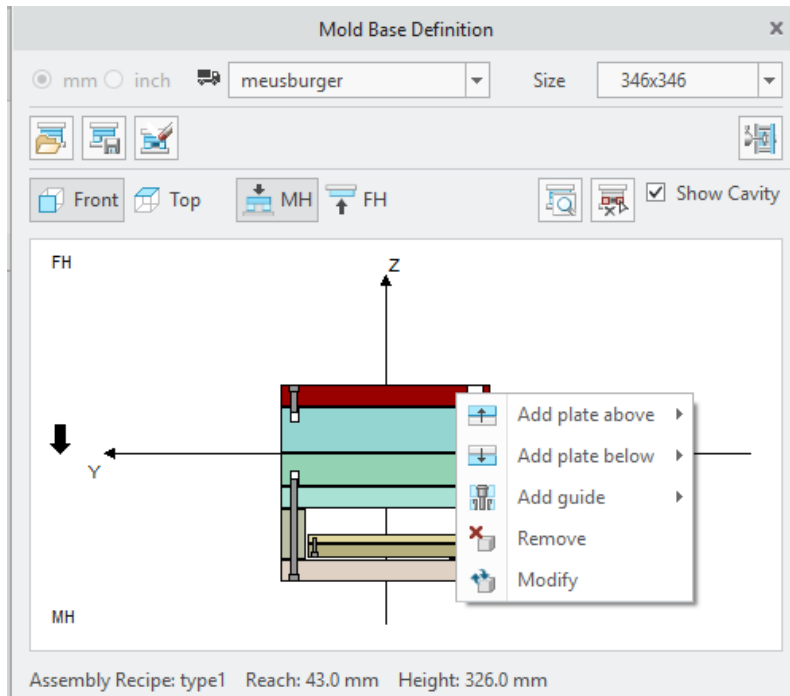
What's New?



Enhancements

New Summary Tree in Moldbase Definition Dialog Box

- Use the Summary Tree to review and modify all assembled plates, components, and patterns.



Plates		Type				
	Clamping Plate	F20	446	346	36	1.173
	Cavity Plate	F50	346	346	76	1.173
	Cavity Plate	F50	346	346	56	1.173
	Support Plate	F60	346	346	36	1.173
	Rail	F70	346	346	86	1.173
	Ejector Retainer Plate	F80	346	256	17	1.173
	Ejector Base Plate	F85	346	256	22	1.173
	Clamping Plate	F20	446	346	36	1.173
Guides		Type				
	Centered Guide Bush (1x)	E1100/22-76	<input checked="" type="checkbox"/>			
	Leader Pin (1x)	E1010/22-56/75	<input checked="" type="checkbox"/>			
	Leader Pin (3x)	E1010/24-56/75	<input type="checkbox"/>			
	Centered Guide Bush (3x)	E1100/24-76	<input type="checkbox"/>			

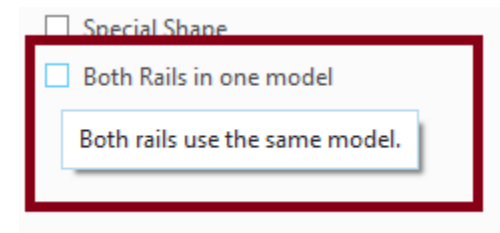
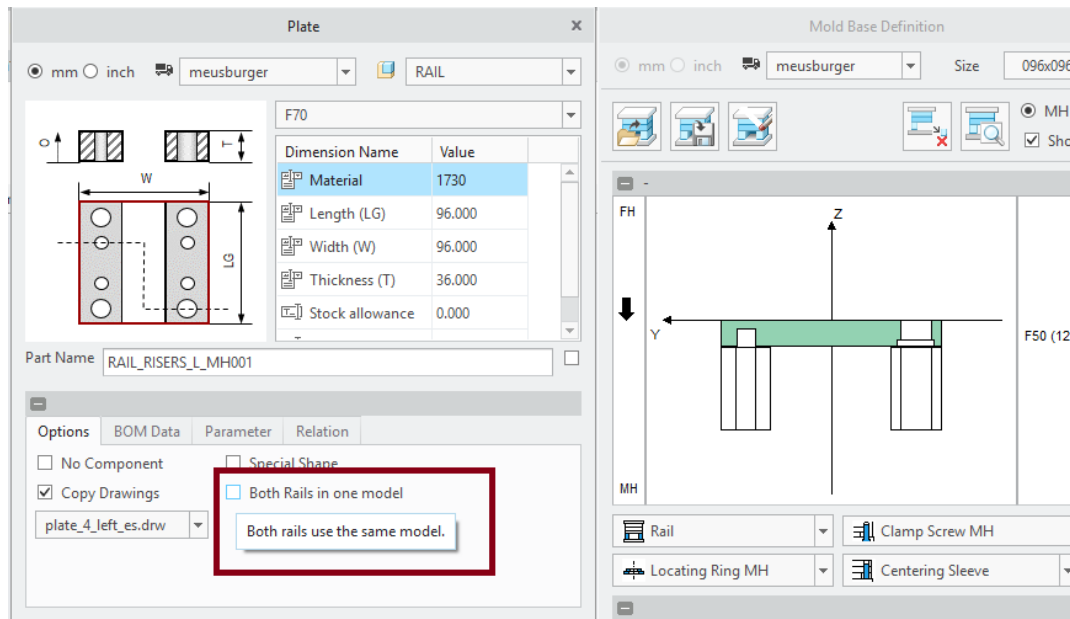
	Clamping Plate		Clamp Screw MH
	Locating Ring MH		Centering Sleeve
		<input checked="" type="checkbox"/>	1

Close

Enhancements

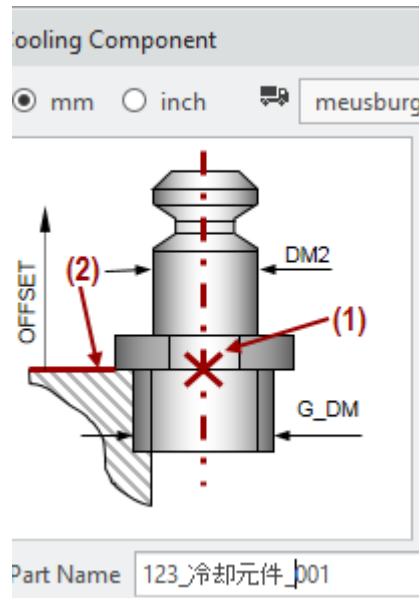
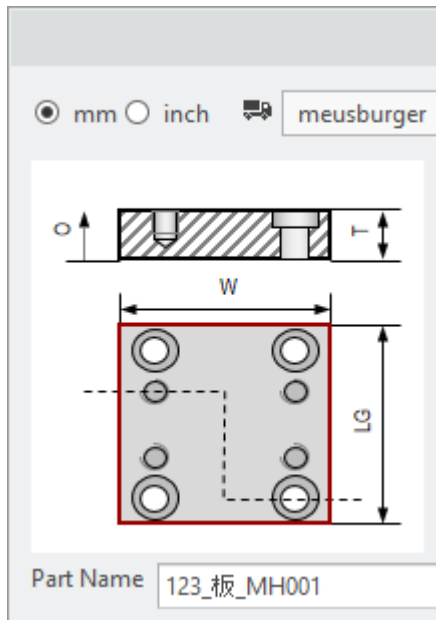
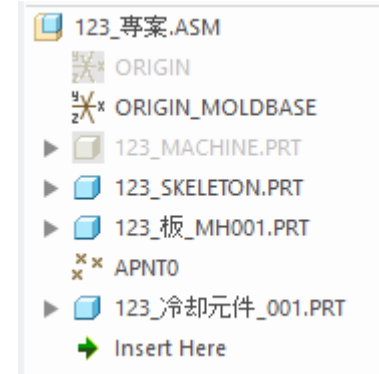
“Use One Model Rail” can be modified from Rail Plate Dialog

- The EMX Option USE_ONE_MODEL_RAIL only sets the default for check button
- Different types of rail models can be assembled to one mold base



Enhancements

Unicode characters are supported for file names, parameter names and parameter values.



Enhancements

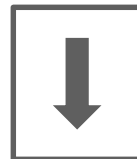
In BOM Dialog use UP and DOWN arrow keys to jump to next cell at top or bottom.

- Reduces clicks when working in the BOM
- Current cell value is confirmed and next cell is activated

PARTID	BOM_NAME	S
01-0001	Aufspannplatte Auswerferseite	M
01-0001	Auswerferplatte Auswerferseite	M
01-0001	Auswerferplatte Auswerferseite	M
01-0001	Leiste Auswerferseite	M
01-0001	Leiste Auswerferseite	M
01-0001	Zwischenplatte Auswerferseite	M
01-0001	Rahmenplatte Auswerferseite	M
01-0001	Rahmenplatte Duesenseite	M
01-0001	Leiste Duesenseite	M
01-0001	Leiste Duesenseite	M
01-0002	Aufspannplatte Duesenseite	M
01-0001	Auswerferplatte Duesenseite	M
01-0001	Auswerferplatte Duesenseite	M



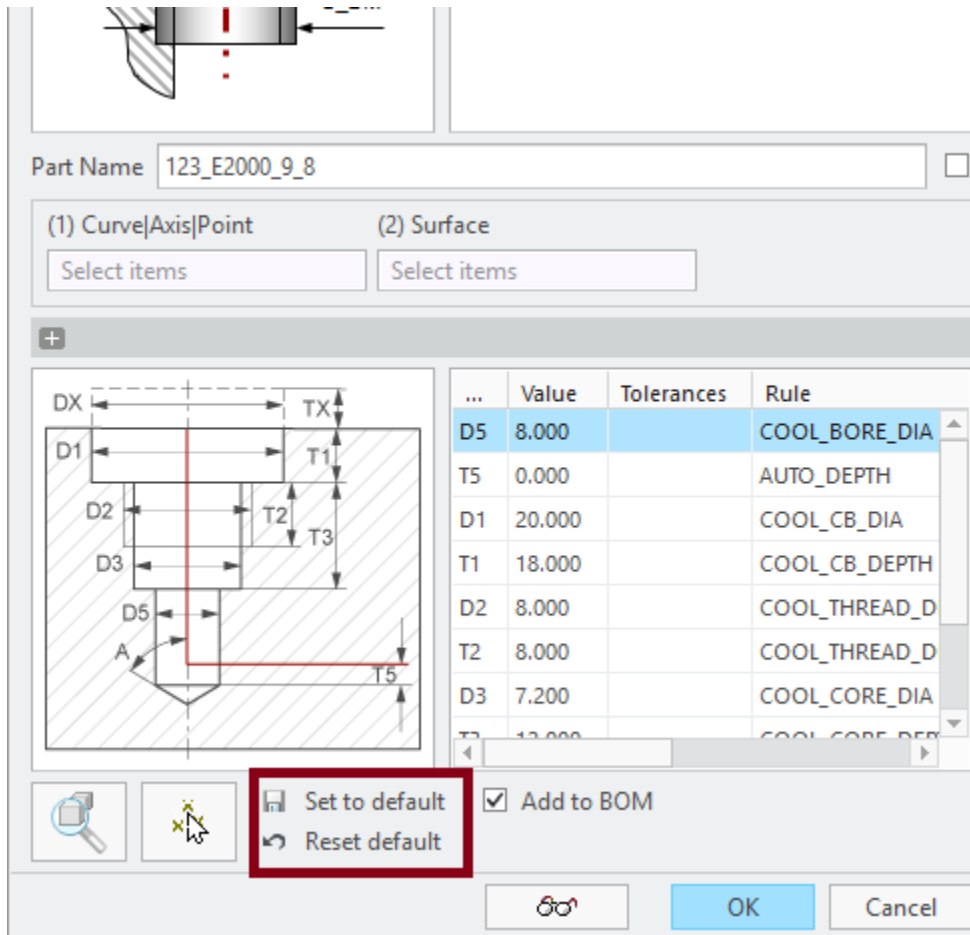
01-0001	Auswerferplatte Auswerferseite	I
01-0001	Leiste Auswerferseite	I
01-0001	Leiste Auswerferseite	I
01-0001	Zwischenplatte Auswerferseite	I
01-0001	Rahmenplatte Auswerferseite	I



01-0001	Auswerferplatte Auswerferseite	I
01-0001	Leiste Auswerferseite	I
01-0001	Leiste Auswerferseite	I
01-0001	Zwischenplatte Auswerferseite	I
01-0001	Rahmenplatte Auswerferseite	I

Enhancements

New button in Component Dialog to reset saved component instances to default.



Part Name: 123_E2000_9_8

(1) Curve|Axis|Point (2) Surface

Select items Select items

...	Value	Tolerances	Rule
D5	8.000		COOL_BORE_DIA
T5	0.000		AUTO_DEPTH
D1	20.000		COOL_CB_DIA
T1	18.000		COOL_CB_DEPTH
D2	8.000		COOL_THREAD_D
T2	8.000		COOL_THREAD_D
D3	7.200		COOL_CORE_DIA
T3	12.000		COOL_CORE_DEPTH

Set to default
 Reset default

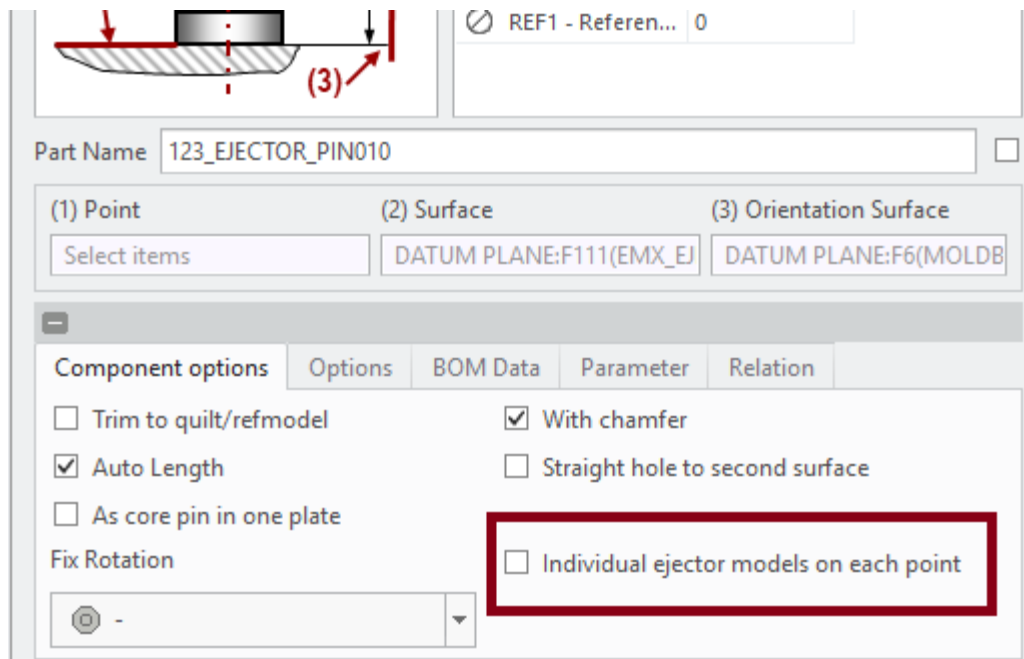
Add to BOM

OK Cancel

Enhancements

Ejector pins defined on multi point features can be forced to be created as individual models.

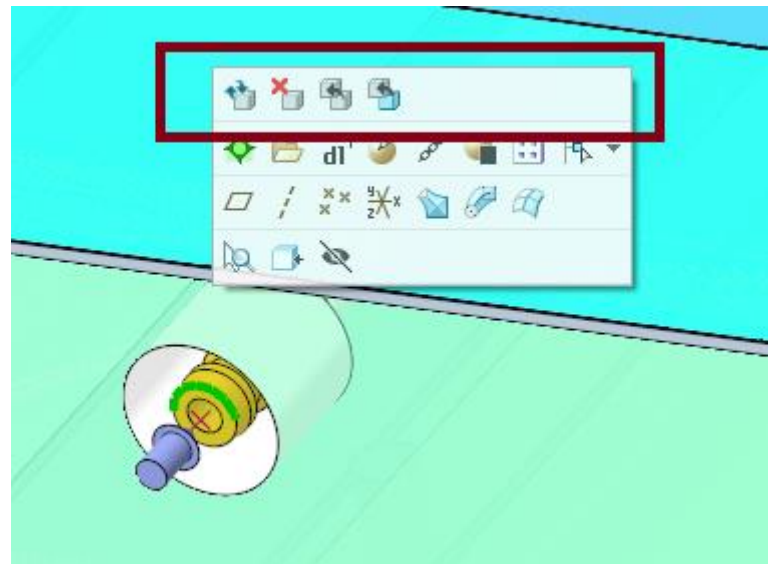
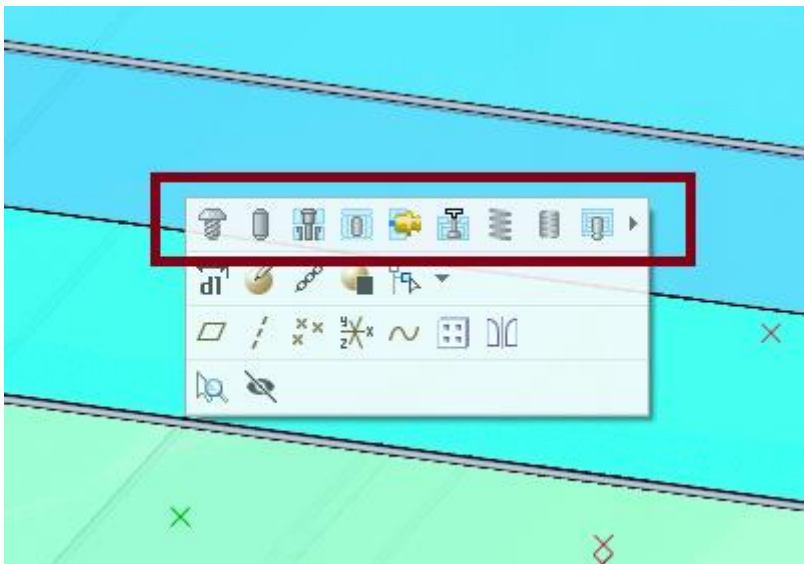
- Previously option ENABLE_MULTI_EJP behavior in EMX Options
- The EMX Option ENABLE_MULTI_EJP only the sets default for check button



Enhancements

Enable Mini Tool Bar with EMX 10 and Creo 4.0

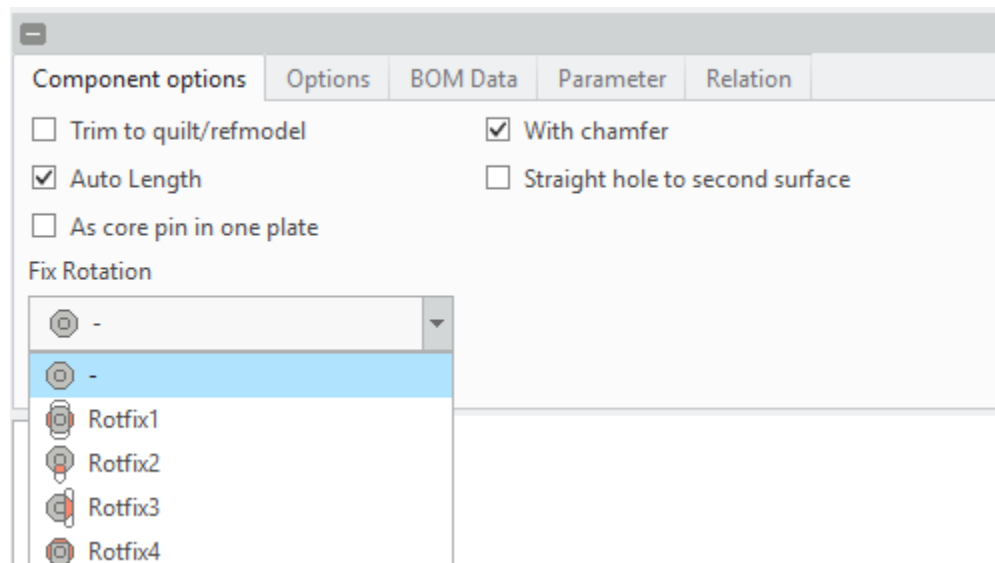
- Select Datum Points and Axis
- Create Components by Mini Tool bar commands
- Selection of selected datums is immediately stored in Component Dialog



Enhancements

Improve Ejector UDFs and Options

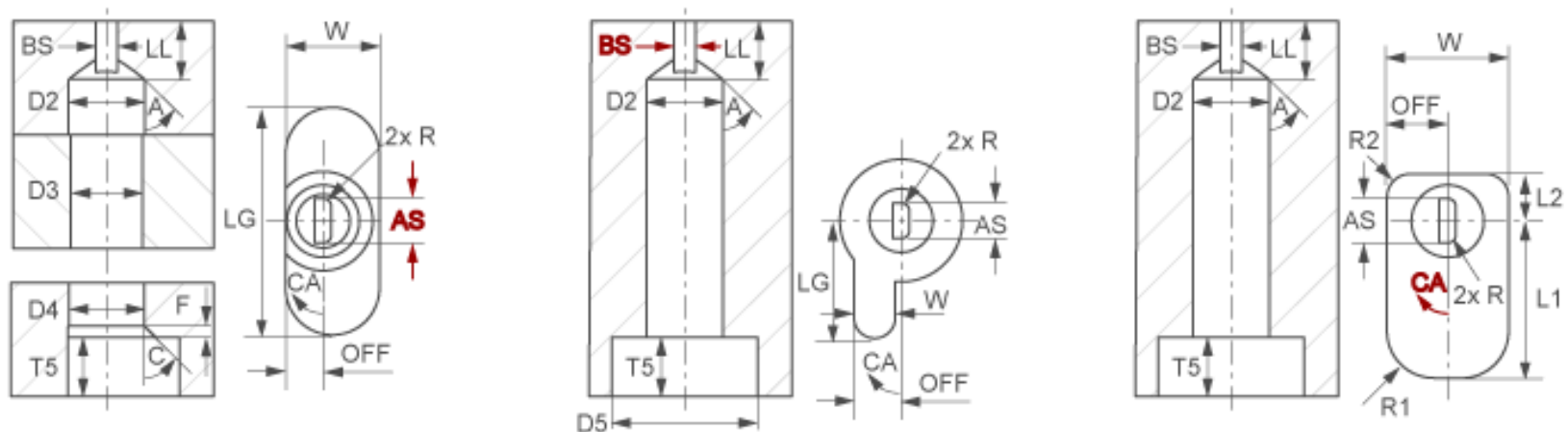
- New Rotation Fixture Type
- New Chamfer Option
- Visualization of Trim Option
- Separate Rotation Fixture Angle for all UDF Types
- Improved Preview Sketch UDFs
- Separate Tabs for Component Options and Assembly Options



Enhancements

New UDF Images for Cooling Components, Guides, Ejector Pins and Dowel Pins

- Verification of all visualized UDF dimensions
- New Design



Enhancements

New Feature Visibility Status Type “Visible Locked” in Plate Dialog

- Feature can be resumed and locked.
- It will not be suppressed when changing the size of the plate

