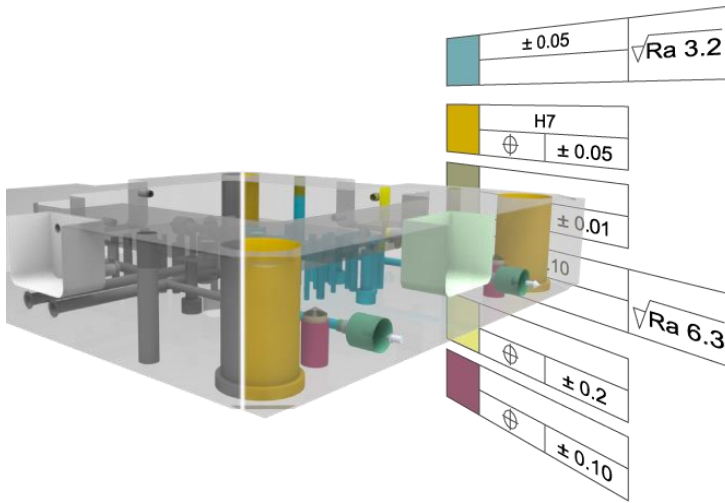




# SMARTColor



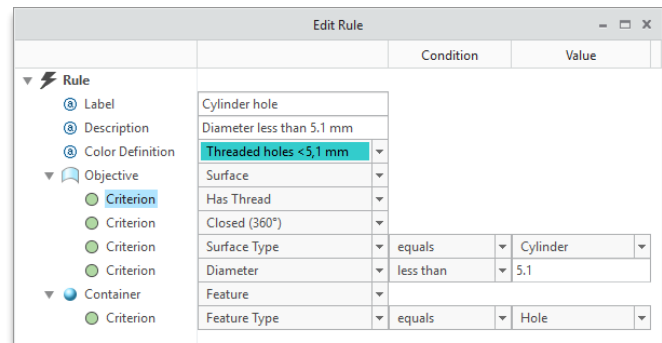
**A SMART solution  
for an  
automated rule-based  
color application**

**SMART – FAST – ROBUST**

Integrated in  
**creo** parametric

## You like to...

- ... push forward your Model-Based-Definition activities
- ... provide PMI in a machine-readable way for downstream consumption
- ... save time by automated color application



## SMARTColor offers:

- Innovatory management of color codes.
- Quick and easy color application - automated by rules and manually via geometry selection.
- Slim organization of color and rule sets in a hierarchical structure.
- Availability of multiple appearance states within the model.
- Check and view recognized color codes and corresponding technology data.
- Optional flat-to-screen symbols semantically referencing corresponding geometry.
- Direct export to STEP, JT and Creo View.

