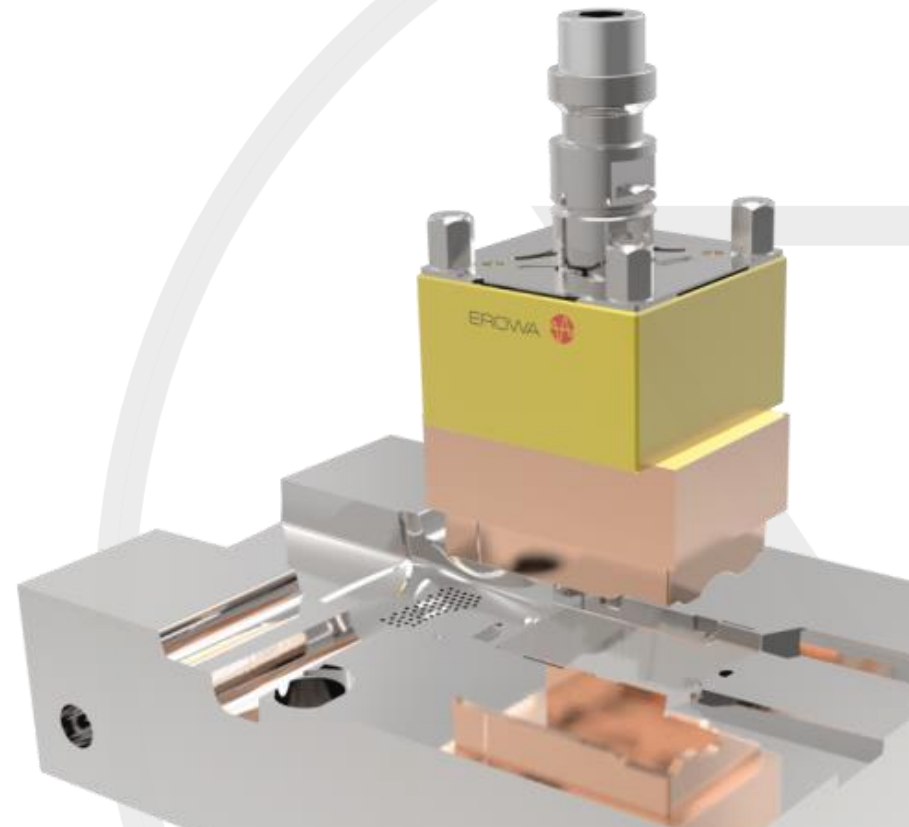


SMARTElectrode

SME 7.0 vs SME 8.0



- **Project**
- **Operation**
- **Electrode Model**
- **Electrode Design**
- **Organization / Deliverables**
- **Compatibility**
- **Upgrade from SME 7.0**



SME 7.0

SME 8.0

- Smiliar to SME 7.0
- For redefinition of project it's sufficient to add or remove models to/from assembly

SME 7.0

- Operations are sub assemblies
- More than one operation, manufacturing sides possible
- Redefinition of position only in UI possible

SME 8.0

- Operation integrated in project
Less PDM-objects!
- One operation in project
- Redefine Csys in Creo
- **New defaults in operation definition**
 - Start plane
 - Retract plane
 - Free face
 - **Can be changed at any time!**

SME 7.0

- Copied from prepared electrode model
- Includes base features from the start
- Assembled on Csys in operation subassembly
→ harder to redefine

SME 8.0

- Copied from default template
- Empty at start
- Assembled on default in project

SME 7.0

- Definition in assembly mode
- Cleanup in part mode
→ no instant check of result
- The definition of burn-faces and later redefine is restricted
- Design is created from base to top.

SME 8.0

- Definition and cleanup in assembly mode
→ visibility control
- Much more flexible design approach.
- Any feature can be removed again.
- Design from top to base. Base will be added at last to finish electrode model.

SME 7.0

- Drawings are copied from SME-templates and can get lost if not saved.
- Electrode holders are additional models
- Holders have to be defined electrode by electrode

SME 8.0

- Drawings are created from Creo drawing templates
→ this can be done at any time
- Electrode holders are imported into electrode model
- Holders can be assigned to many electrode models in one step

SME 8.0:

SME 8.0 does not support projects from SME 7.0!

SME 7.0 can be used parallel in PTC Creo Parametric 2.0 and 3.0

SME 9.0: (Q1/2016)

SME 9.0 will be completely compatible with SME 8.0.

Upgrade from SME 7.0

Backup Config:

Backup your current SME 7.0 configuration or copy configuration to SME 8.0 directory.

Start SME 8.0:

SME 8.0 will add all needed files and settings automatically to configuration.

Customization:

Refer to document *SMARTElectrode-Configuration* to learn more.

