

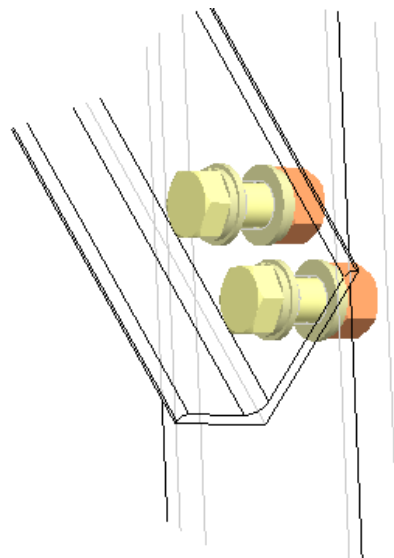
SMARTLibrary

Graphic user interface to define the connections

Assemble screw and dowel pin connections together with all holes with a few mouse clicks

Redefine, reassemble and delete your existing connections

Handle your own components



SMARTLibrary SP offers fast and easy functionality for creating, redefining and deleting screw and dowelpin connections including necessary holes. You just select the placement references and configure the connection in a graphic user interface by choosing type and size of screw, nut, washers, dowel pin and bore types and see the configuration in a dynamic preview. Then SMARTLibrary automatically creates all components and holes. Integrate your existing standard components in **SMARTLibrary** with minimal configuration efforts.

SMARTLibrary's screw functionality is able to create three types of screw connections. Depending on the selection of surfaces the suitable connection type is created.

- **Threaded screw connection**
- **Screw connection with nut**
- **Screw with thread**

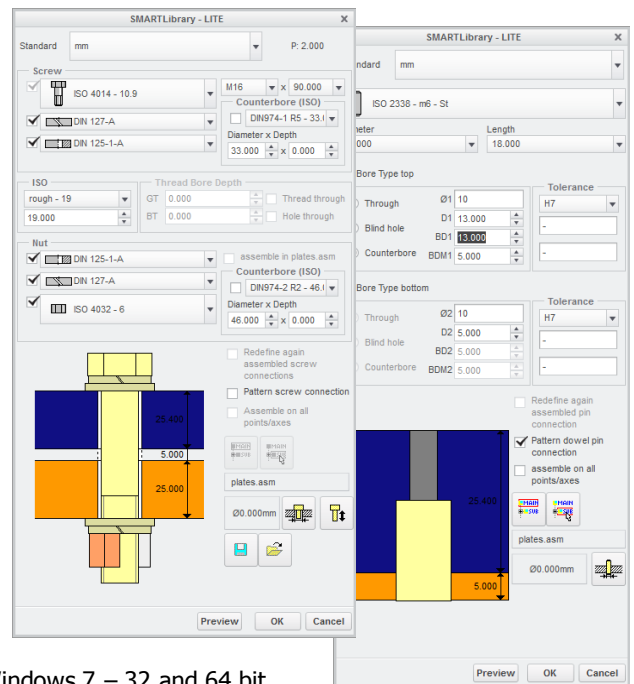
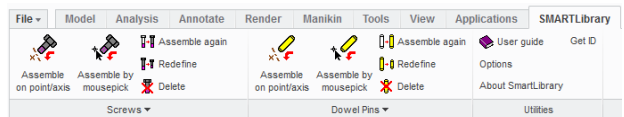
Define and preview all information for the connection in one graphical user interface.



Supported Platforms: Windows XP, XP64, Vista, Vista x64, Windows 7 – 32 and 64 bit

Supported PTC Versions: Pro/ENGINEER Wildfire 2 up to Wildfire 5, Creo Elements/Pro 5.0 and Creo Parametric 1.0 and 2.0

License type: Extension - License is locked to Pro/ENGINEER session. Shut down Pro/ENGINEER to release the license.



b&w-software GmbH
 solutions for efficient product design
 Weisse-Herz-Str. 2a
 D-91054 Erlangen

fon +49 (0)9131 53387-04
 fax +49 (0)9131 53387-20
 web www.buw-soft.de
 mail smartlibrary@buw-soft.de

