



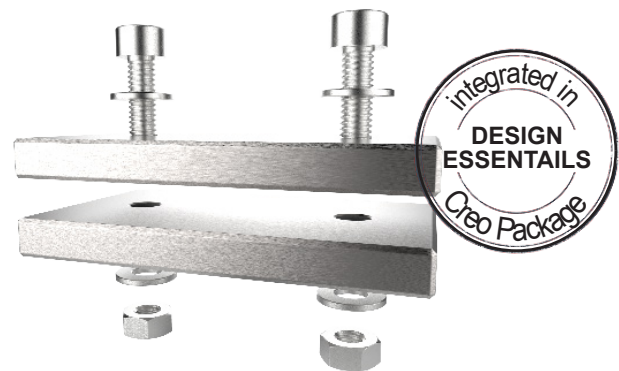
Advanced Framework Extension

- Fast and easy layout of framework structures
- Intuitive assembly of profiles and connectors
- Large library for popular steel and alloy profiles



Intelligent Fastener Extension

- Large library for screws, dowel pins, nuts and washers
- Intuitive user interface for selection and placement of connection elements
- Automatic creation of corresponding holes



Tooling



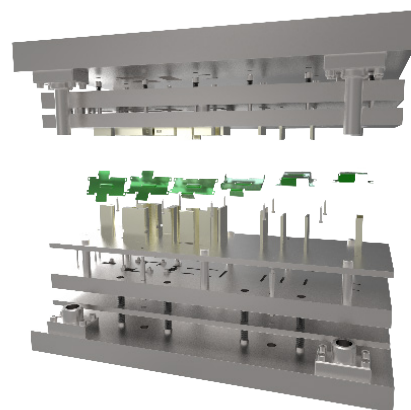
Expert Moldbase Extension

- Flexible design of injection mold bases
- Dynamic definition of cooling systems
- Intelligent placement of standard parts from over 20 supplier catalogues



Progressive Die Extension

- Efficient design of strip layouts
- Intelligent placement of standard parts from numerous supplier catalogues
- Holechart and BOM functionality





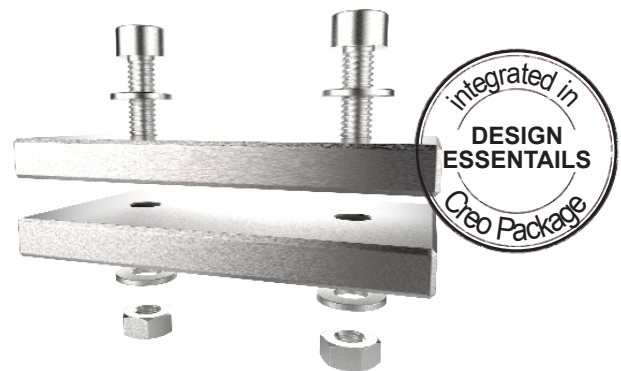
Advanced Framework Extension

- Fast and easy layout of framework structures
- Intuitive assembly of profiles and connectors
- Large library for popular steel and alloy profiles



Intelligent Fastener Extension

- Large library for screws, dowel pins, nuts and washers
- Intuitive user interface for selection and placement of connection elements
- Automatic creation of corresponding holes



Tooling



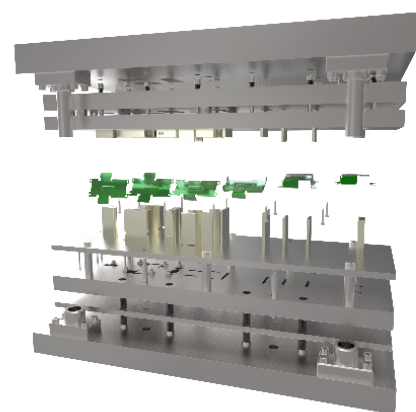
Expert Moldbase Extension

- Flexible design of injection mold bases
- Dynamic definition of cooling systems
- Intelligent placement of standard parts from over 20 supplier catalogues



Progressive Die Extension

- Efficient design of strip layouts
- Intelligent placement of standard parts from numerous supplier catalogues
- Holechart and BOM functionality



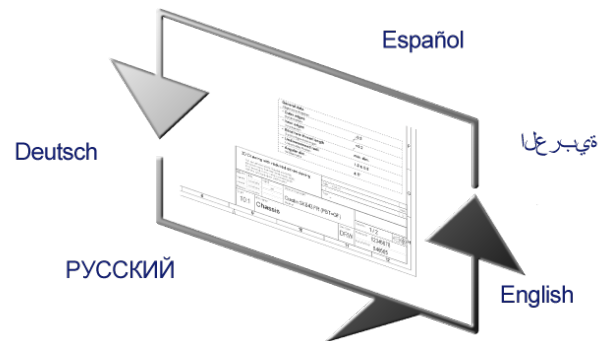
Parameter Management

- Customizable display of parameter entries
- Configurable drop-down lists
- Parameter value control
- Automatic creation of missing parameters
- Multi-language value handling

Label	Value	f(x)	Source	Designate	Description
Index	1			<input type="checkbox"/>	Enter index number
SAP document type	DRW			<input checked="" type="checkbox"/>	Select the SAP document type
Article name	PRT			<input checked="" type="checkbox"/>	Select or enter the model name
Article number	ASM			<input checked="" type="checkbox"/>	Enter the article number (8 digits)
Project	Uranus			<input checked="" type="checkbox"/>	Select the project name
Material	Crastin SK643 FR (PBT+GF)			<input checked="" type="checkbox"/>	Select or enter the material name
Material (row 2)	-			<input type="checkbox"/>	Select or enter the material name
Material (row 3)	-			<input type="checkbox"/>	Select or enter the material name
Created by	Max Mustermann			<input type="checkbox"/>	Enter a name
Created on	-			<input type="checkbox"/>	Enter a date (TT.MM.JJJJ)

Multi-Language

- Annotation text display in multiple predefined languages
- Change language display on one click
- Translation handling through integrated text database



Basic content

Context Management

- Intelligent Classification of models
- Basic and elementary assignment and handling of contexts
- Basic requirements for subsequent rule based actions

Text Database

- Container for all texts used in annotations and UI
- Ability to handle text translations in multiple languages
- Interface to external sources

Combined State Management

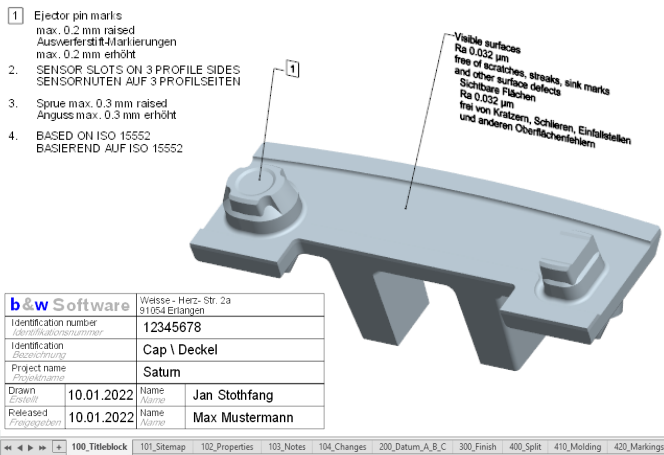
- Intuitive creation and modification of Combined States
- Integrated in Creo navigation area





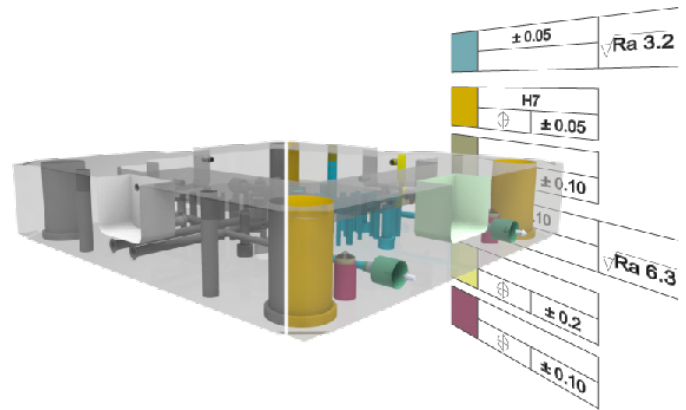
Annotation Handling

- Management of Standard Notes
- Placing texts in multiple languages
- Intelligent note selection
- Integrated Meta-Data-Management



Color Coding

- Fully integrated in Creo Parametric
- Intelligent rule set for Color Application
- Associative legend symbols
- Reliable transfer of PMI



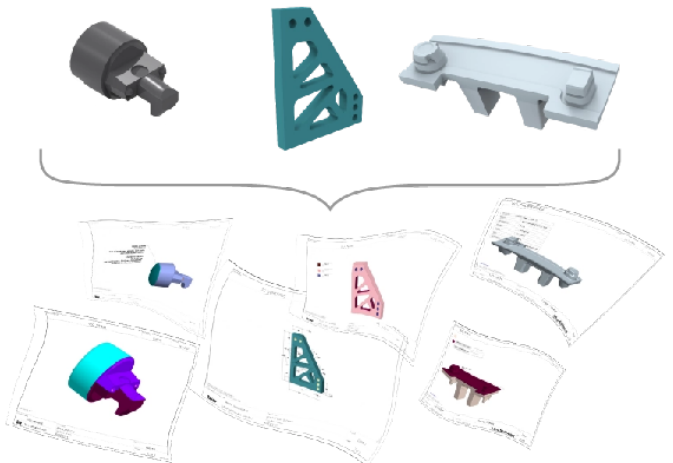
Check & Update

- Check and update models and drawings automatically
- A variety of prepared screening criteria
- Batch-mode for large amounts of data
- 'Gate Keeping' to Windchill database



Export

- Multipage 2D-PDF's directly from 3D CAD-model
- What you see is what you get
- Template support and meta data callout



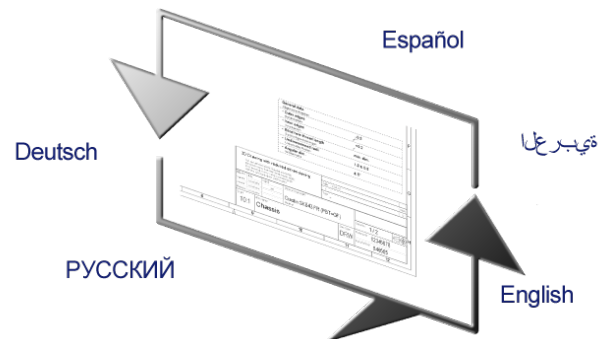
</> Parameter Management

- Customizable display of parameter entries
- Configurable drop-down lists
- Parameter value control
- Automatic creation of missing parameters
- Multi-language value handling

Label	Value	f(x)	Source	Designate	Description
Index	1			<input type="checkbox"/>	Enter index number
SAP document type	DRW			<input checked="" type="checkbox"/>	Select the SAP document type
Article name	PRT			<input checked="" type="checkbox"/>	Select or enter the model name
Article number	ASM			<input checked="" type="checkbox"/>	Enter the article number (8 digits)
Project	Uranus			<input checked="" type="checkbox"/>	Select the project name
Material	Crastin SK643 FR (PBT+GF)			<input checked="" type="checkbox"/>	Select or enter the material name
Material (row 2)	-			<input type="checkbox"/>	Select or enter the material name
Material (row 3)	-			<input type="checkbox"/>	Select or enter the material name
Created by	Max Mustermann			<input type="checkbox"/>	Enter a name
Created on	-			<input type="checkbox"/>	Enter a date (TT.MM.JJJJ)

文A Multi-Language

- Annotation text display in multiple predefined languages
- Change language display on one click
- Translation handling through integrated text database



Basic content

Context Management

- Intelligent Classification of models
- Basic and elementary assignment and handling of contexts
- Basic requirements for subsequent rule based actions

Text Database

- Container for all texts used in annotations and UI
- Ability to handle text translations in multiple languages
- Interface to external sources

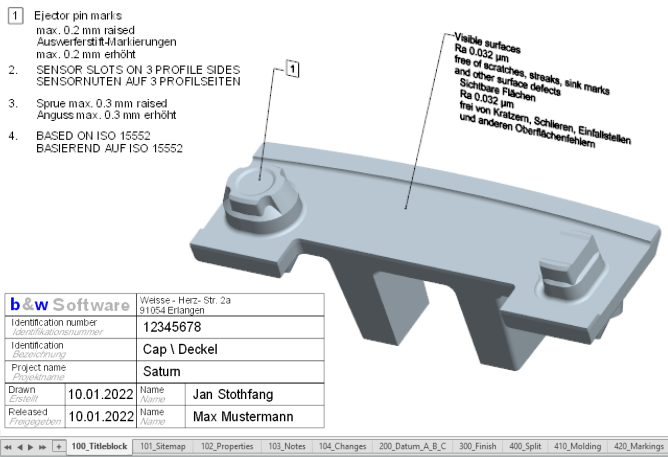
Combined State Management

- Intuitive creation and modification of Combined States
- Integrated in Creo navigation area



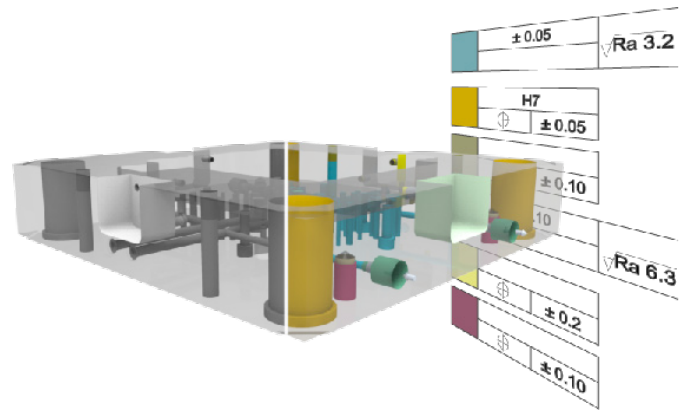
Annotation Handling

- Management of Standard Notes
- Placing texts in multiple languages
- Intelligent note selection
- Integrated Meta-Data-Management



Color Coding

- Intelligent rule set for Color Application
- Associative legend symbols
- Reliable transfer of PMI



Check & Update

- Check and update models and drawings automatically
- A variety of prepared screening criteria
- Batch-mode for large amounts of data
- 'Gate Keeping' to Windchill database



Export

- Multipage 2D-PDF's directly from 3D CAD-model
- „What you see is what you get“ principle
- Template support and meta data callout

