

# SMARTOptics 6.0

*B&W Roadshow 2017*



- Technical Draftsman
- KSB pumps and valves – Pegnitz
- Mechanical Engineer – Nürnberg
- Since 2002 B&W Productmanager
  - Intelligent Fastener Extension / SMARTLibrary
  - SMARTHolechart
  - **SMARTOptics**
  - Customer Projects

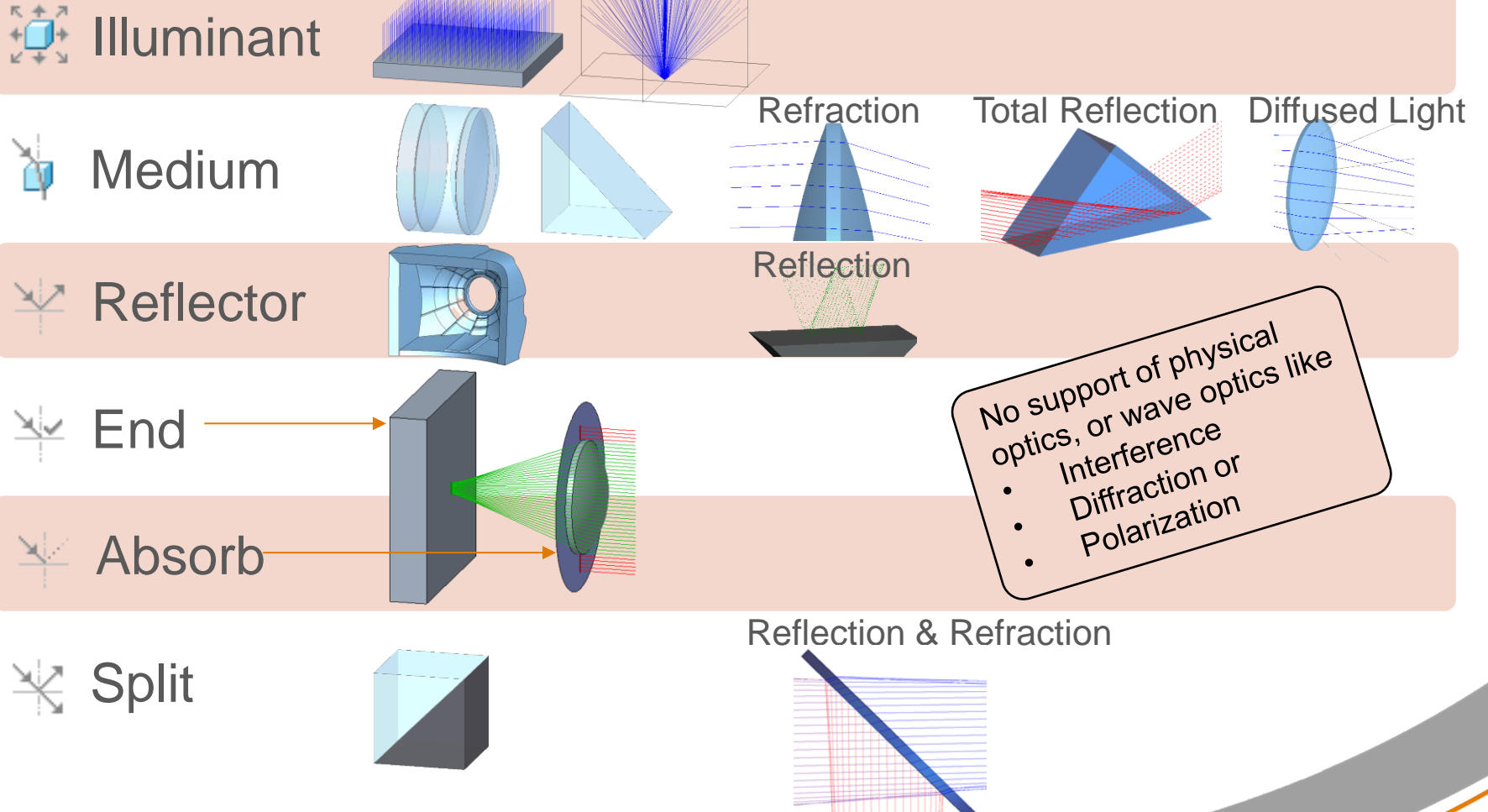


Oliver Gräbner

- Elements & Geometrical Optics
- Live Demo
- Use Cases



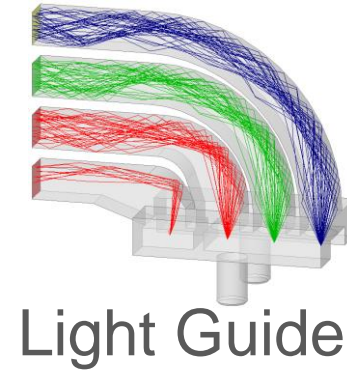
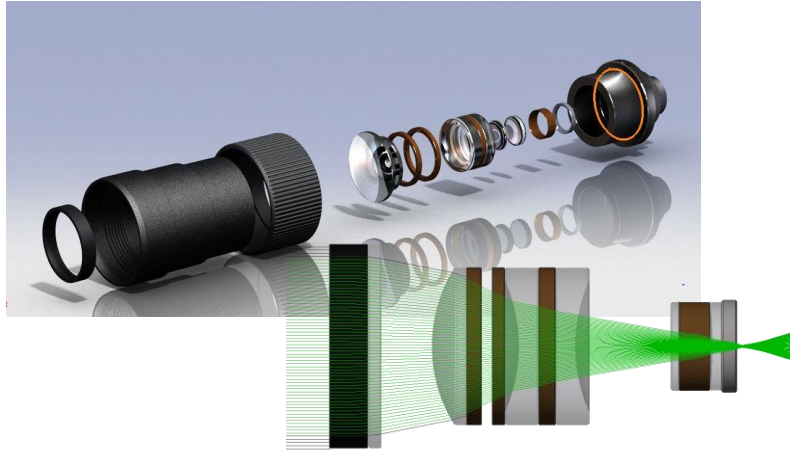
# SMARTOptics Elements and Geometrical Optics



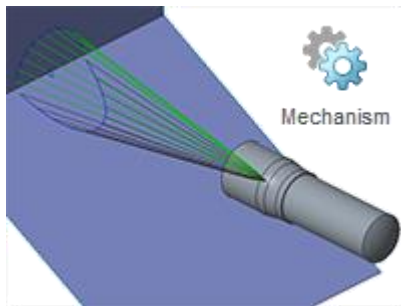
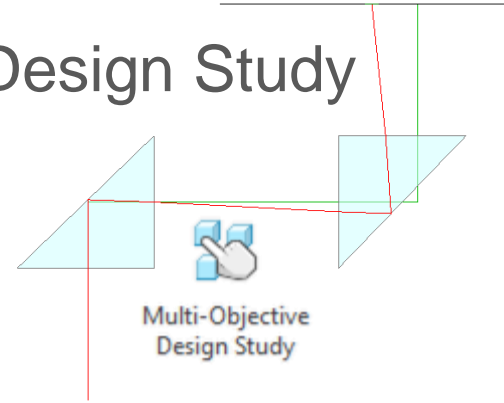
No support of physical optics, or wave optics like

- Interference
- Diffraction or
- Polarization

## Optical Assemblies

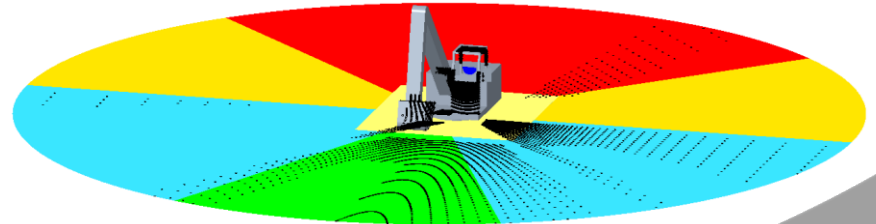


## Design Study



## Mechanism Simulation

## Inspecting field of view



- Thank you for your attention.

- Contact:

- Oliver Gräbner
- [oli@buw-soft.de](mailto:oli@buw-soft.de)
- +49 9131 53387 04

